



Comfort System™ "BH" Series Barometric Bypass Damper

"BH" series barometric bypass dampers are used to automatically bypass excess air when increases in duct static pressure occur due to closing of zone dampers. Various relief air control settings are accomplished by simple adjustment of the weight on the arm. Barometric relief dampers are recommended for systems up to 0.75" W.C. of static pressure (for higher pressure systems use motorized bypass dampers).

Operation

"BH" series dampers operate automatically to relieve excess air in duct systems through the use of a counter-balanced weighted control arm. The weight can be moved either direction along the entire length of the arm to allow the damper to open only when necessary.

Features

- Fast, simple installation
- Heavy gauge shell is fabricated from galvanized steel, with one straight and one crimped end, along with rolled-in stiffening beads for superior rigidity
- Easy adjustment
- Smooth and quiet operation
- Heavy-duty blade gasket

Damper Specifications - Round

CONSTRUCTION: 22 Ga. Galvanized Steel

SIZES: 7", 8", 9", 10", 12", 14", 16"

TEMPERATURE RATING: 0° F to 180° F Operating

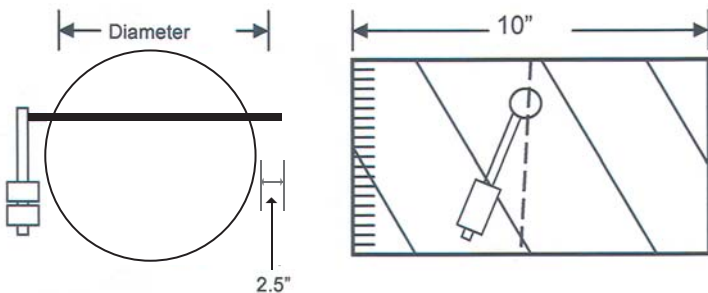
HUMIDITY: 5% to 95% Non-Condensing

STATIC PRESSURE: Maximum 0.75" W.C.

Round Available Sizes

Size	CFM	Size	CFM
7"	200	12"	1,000
8"	400	14"	1,600
9"	600	16"	2,400
10"	750		

Dimensional Drawing - Round



Comfort™ SYSTEM

Jackson SYSTEMS

Zone Control Made Simple™

Damper Specifications - Rectangular

CONSTRUCTION: 22 Ga. Galvanized Zinc Plated Steel

SIZES: 12" x 8", 12" x 10", 12" x 12", 20" x 8", 20" x 10", and 20" x 12"

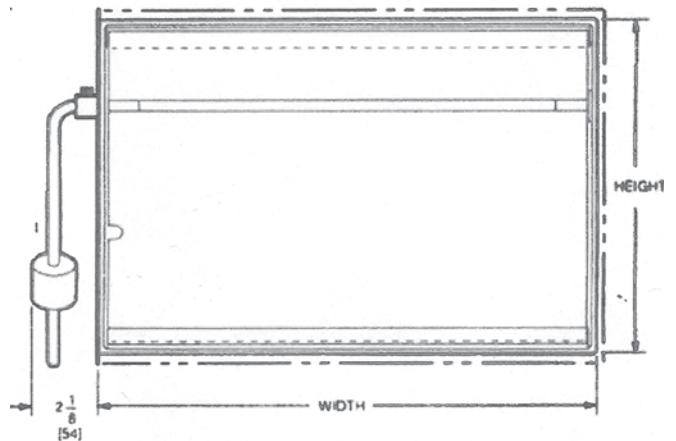
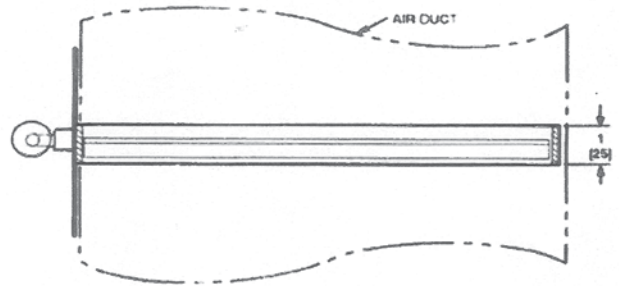
TEMPERATURE RATING: 0° F to 180° F Operating

HUMIDITY: 5% to 95% Non-Condensing

STATIC PRESSURE: Maximum 0.75" W.C.



Dimensional Drawing - Rectangular

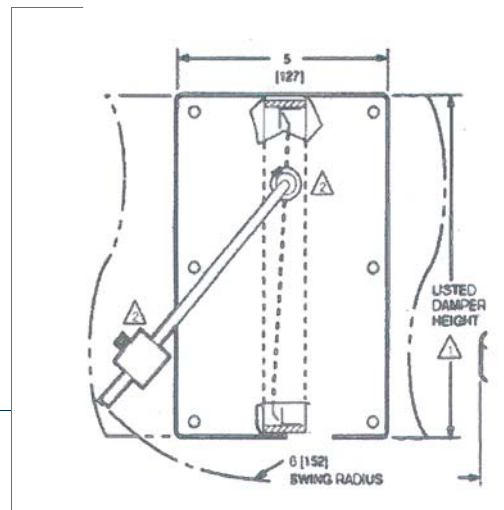


Rectangular Available Sizes

Size	CFM
12" x 8"	800
12" x 10"	1,000
12" x 12"	1,400
20" x 8"	1,600
20" x 10"	2,000
20" x 12"	2,400

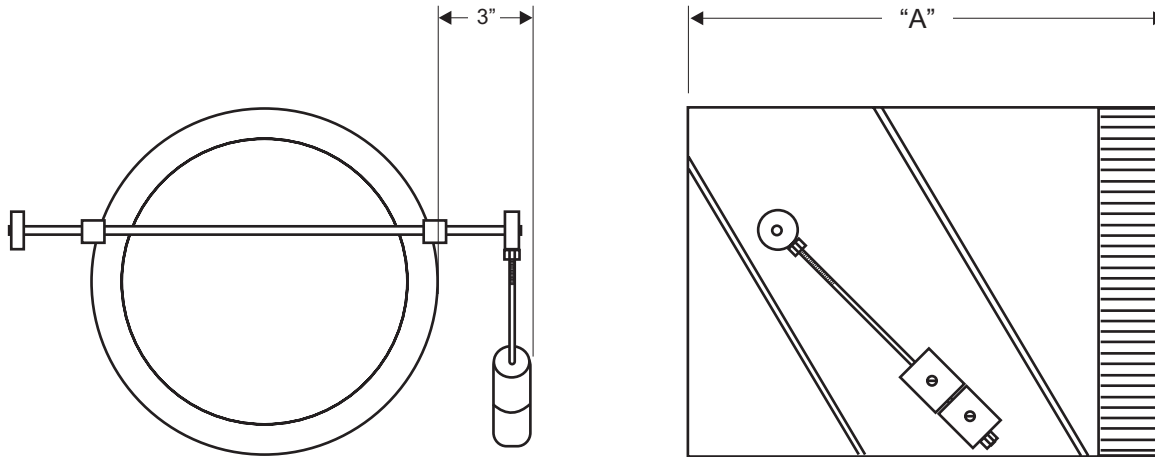
Listed damper height = actual air duct height.

Adjustable weighted control arm is adjusted by loosening two screws, position control arm as desired, then tighten screws to ensure proper room is given for swing radius.



SPECIFICATION SHEET

BH-XX Round, Barometric Bypass Dampers



FOR HORIZONTAL MOUNTING ONLY

DAMPER SIZE	"A" DIMENSION
8"	10"
10"	10"
12"	13"
14"	14"
16"	14"

SPECIFICATIONS

DIMENSIONS:

Barometric bypass damper models BH-XX are available in standard sizes from 7" to 16"

APPLICATION:

Compatible for zone control and other HVAC applications in maintaining system static pressure from 0.2" to 0.75" w.c.

CONSTRUCTION:

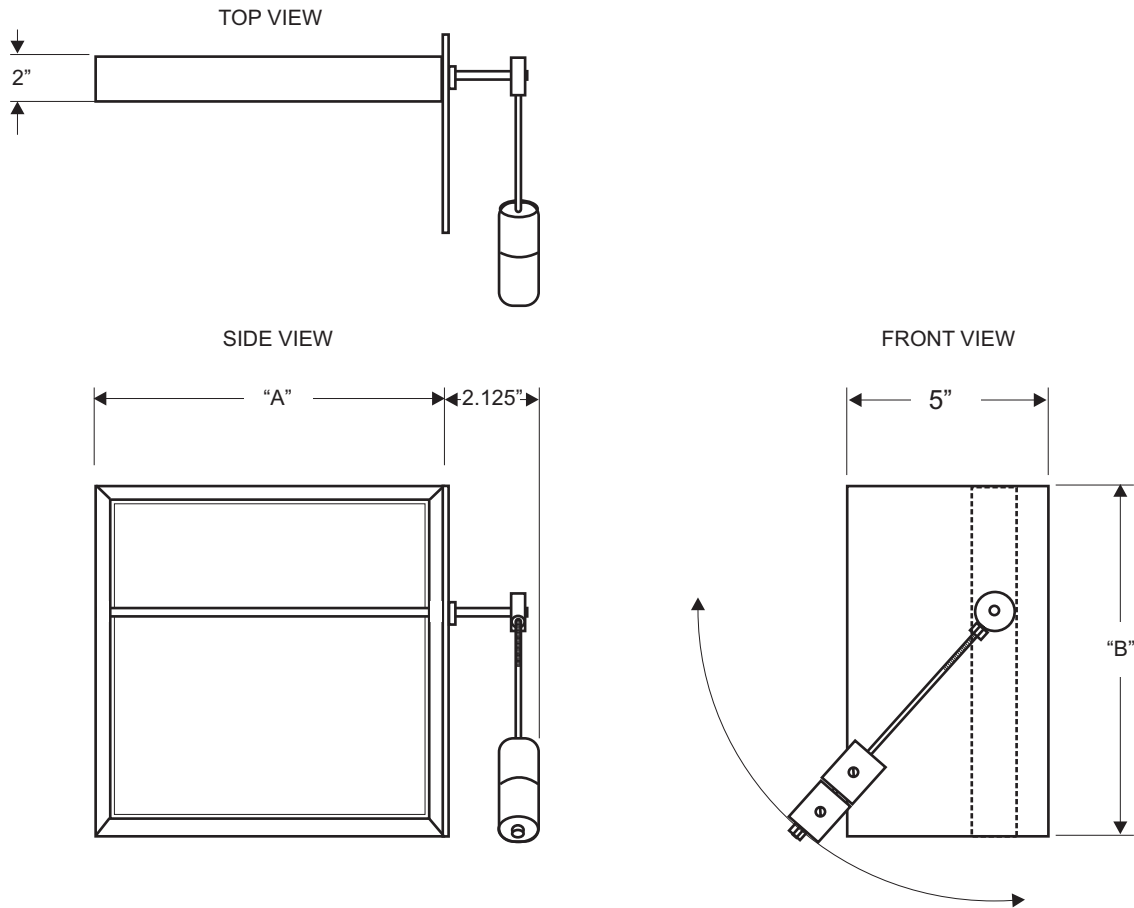
- 18 gauge spiral steel shell
- 18 gauge steel blade
- 1/2" aluminum shaft
- Nylon bushings
- Air tight blade seals
- Adjustable weights

RECOMMENDED BYPASS DAMPER SIZING BASED ON COOLING TONNAGE:

- 2.5 Tons and less = 8"
- 3 Tons = 10"
- 4 to 5 Tons = 12"
- 7.5 Tons = 14"
- 10 Tons = 16"

SPECIFICATION SHEET

BH-XXXX Rectangular, Barometric Bypass Dampers



SPECIFICATIONS

DIMENSIONS:

Damper models BH-XXXX are sized width (A) by height (B) with actuator arm weight on the (B) dimension. Actual (A) and (B) dimensions are undercut 1/4".

SIZES:

12" x 8", 12" x 10", 12" x 12", 20" x 8", 20" x 10", 20" x 12"

APPLICATION:

Compatible for zone control and other HVAC applications with static pressures less than .05" w.c.

CONSTRUCTION:

22 gauge zinc plated steel frame
Single blade design
Adjustable weights

Drawings are intended to show general, overall product dimensions and provide guidance for installation clearance. Drawings are not to scale. Jackson Systems reserves the right to make product changes without notification or obligation.