

WR-300™ WIRELESS 3-CHANNEL RELAY

Introduction:

The WR-300™ Wireless Relay kit contains a 3-channel transmitter and receiver. Both the transmitter and receiver are powered by 24 VAC. The receiver can accept up to 3 inputs; each having its own unique address. If only one WR-300™ is used in the same building, no programming is required. When any transmitter input channel contacts close, the receiver module detects the change and closes its corresponding channel output contacts.

DO NOT INSTALL TRANSMITTER OR RECEIVER IN METAL ENCLOSURE THAT MIGHT INTERFERE WITH WIRELESS COMMUNICATIONS.

CAUTION! USE SEPARATE ISOLATION RELAYS AT RECEIVER IF LOADS EXCEED 30 VAC, 1 AMP PER CHANNEL.

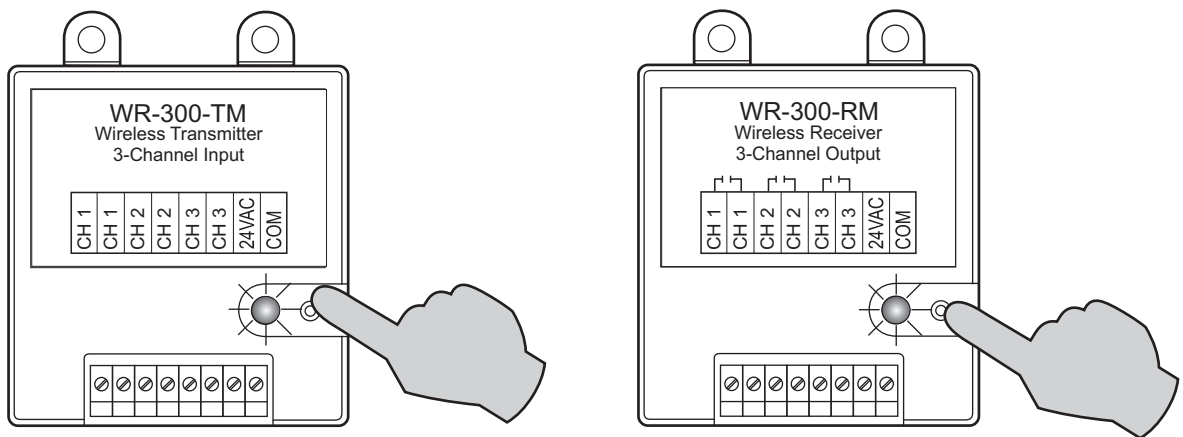
Using multiple transmitters and receivers:

If more than one WR-300™ is used in the same building, each additional WR-300™ transmitter and receiver module must be programmed with a different address. All transmitters and receivers come from the factory programmed as Address 1. There are 5 addresses available for additional transmitter and receivers allowing up to a total of 18 control channels.

Programming:

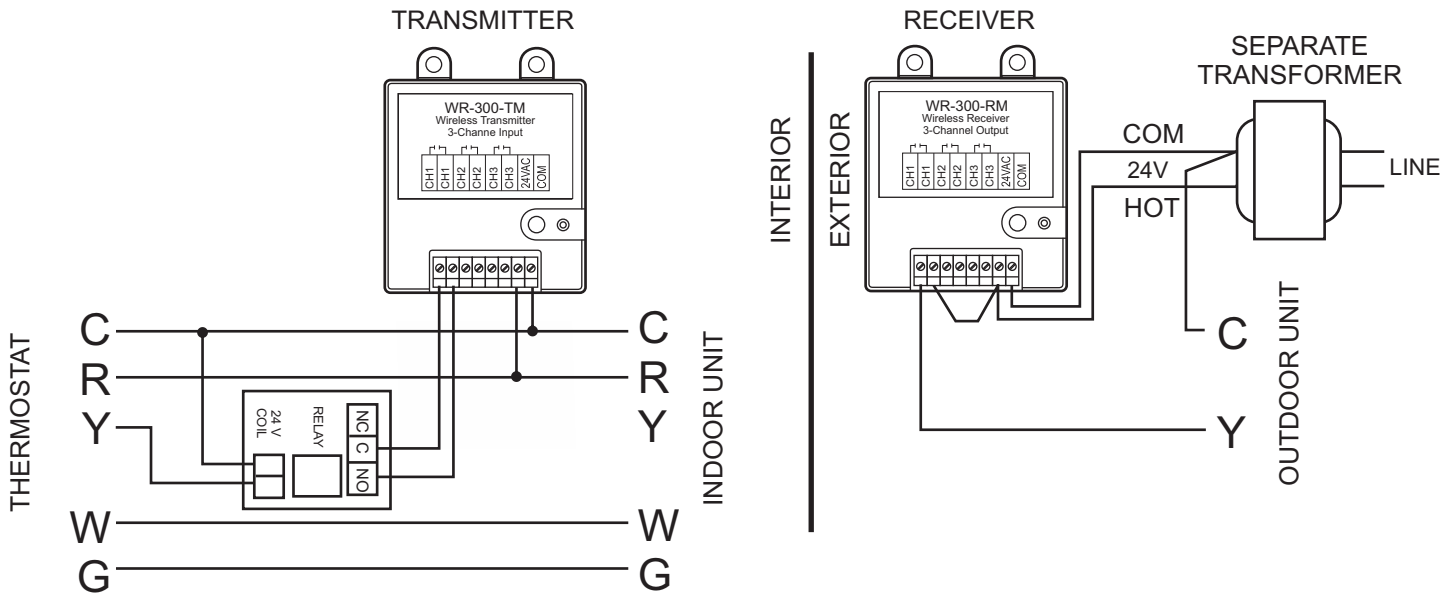
Press the program button on the transmitter module (WR-300-TM) and the LED will blink 1 time, then 2 times up to 6 times. 1 blink equals Address 1 and 2 blinks equal Address 2, etc. For example, if you release the program button after 2 blinks, the transmitter is programmed as Address 2.

Take the corresponding receiver (WR-300-RM) and use the same steps to program it as Address 2.

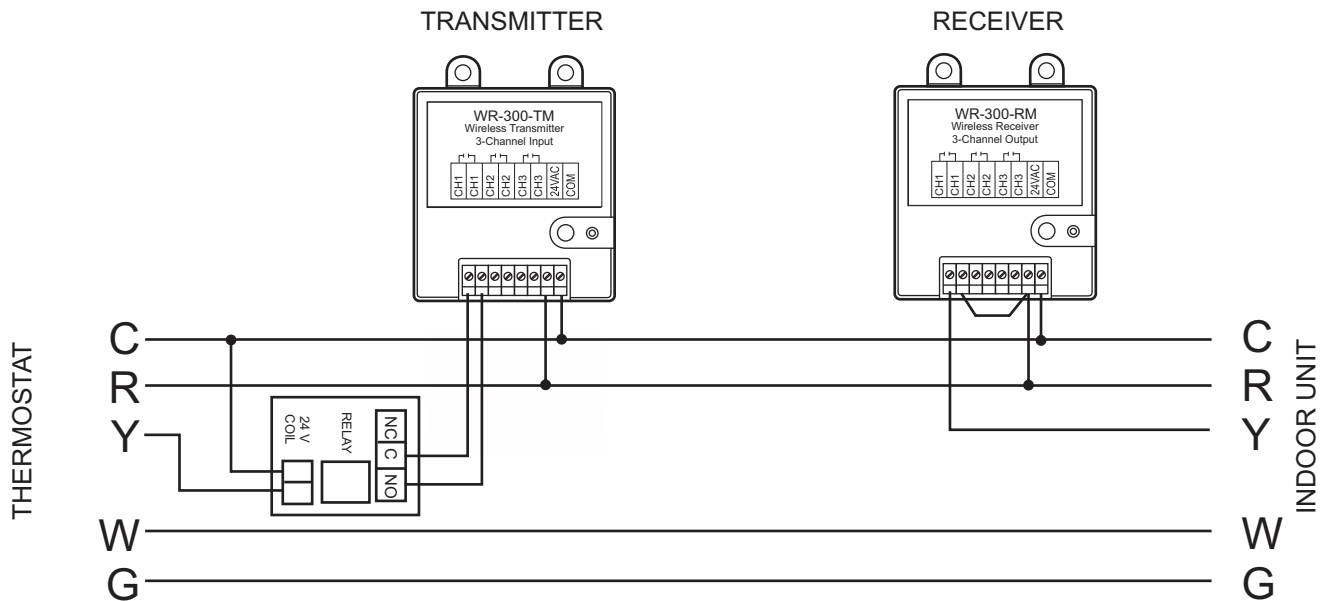


WR-300™ WIRELESS 3-CHANNEL RELAY APPLICATION WIRING DIAGRAMS

BROKEN WIRE ('Y' OR 'C') FROM INDOOR UNIT TO OUTDOOR CONDENSING UNIT

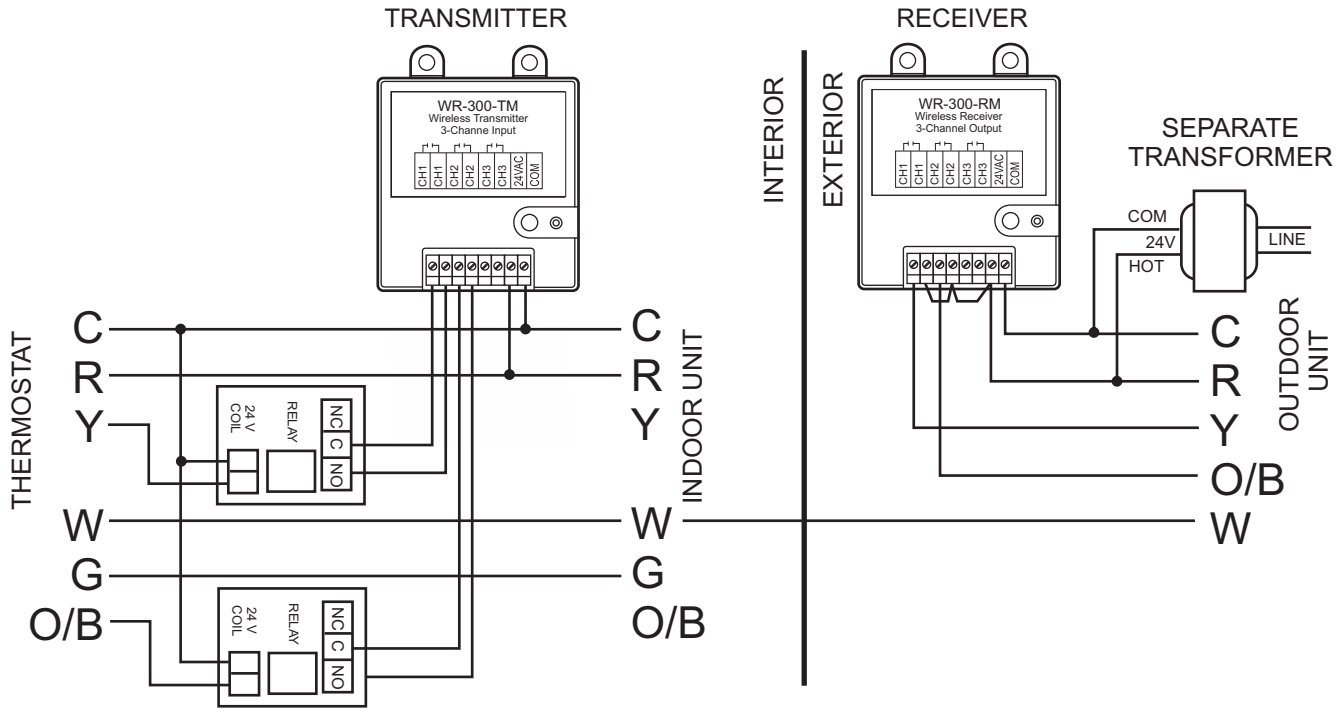


BROKEN 'Y' WIRE FROM THERMOSTAT TO INDOOR UNIT (ADDITIONAL CHANNELS COULD ALSO BE USED WITH 'W' AND 'G')

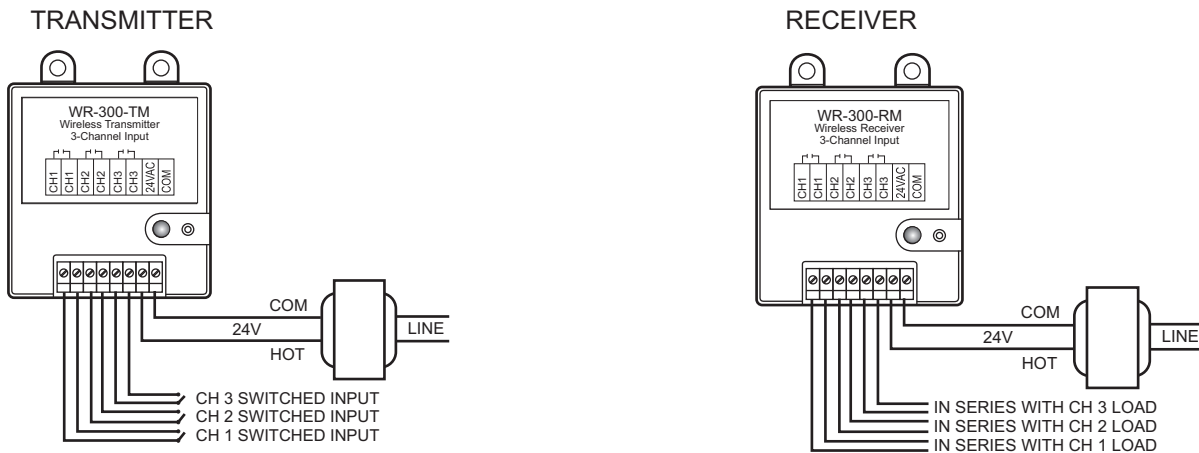


WR-300™ WIRELESS 3-CHANNEL RELAY APPLICATION WIRING DIAGRAMS

HEAT PUMP RETROFIT APPLICATION WITH NOT ENOUGH WIRES TO OUTDOOR UNIT (ADDITIONAL CHANNEL COULD BE USED FOR 2ND STAGE COMPRESSOR)



WIRELESS CONTROL OF AUXILIARY DEVICES (PUMPS, VALVES, FANS, LIGHTS, ALARMS)



Use separate isolation relays at receiver if loads exceed 30 VAC, 1 Amp

Specifications:

WR-300-TM WIRELESS TRANSMITTER

Power:	24VC, 2.8VA
Channels:	3
Input:	24 Volts
Addresses:	Up to 6 transmitters using 3-channels each can be installed in the same building
Frequency:	915MHz proprietary protocol
Range:	Up to 200 feet from receiver
Dimensions:	2.25" x 2.50" x 1.00" (WxHxD)

WR-300-RM WIRELESS RECEIVER

Power:	24VAC, 2.8VA
Channels:	3
Output:	Dry contact closure Relay contacts rated for 30VAC, 1A
Frequency:	915MHz proprietary protocol
Range:	Up to 200 feet from transmitter
Dimensions:	2.25" x 2.50" x 1.00" (WxHxD)

This device complies with part 15 of the FCC Rules. Operation is subject to the following two conditions: (1) This device may not cause harmful interference and (2) this device must accept any interference received, including interference that may cause undesired operation.