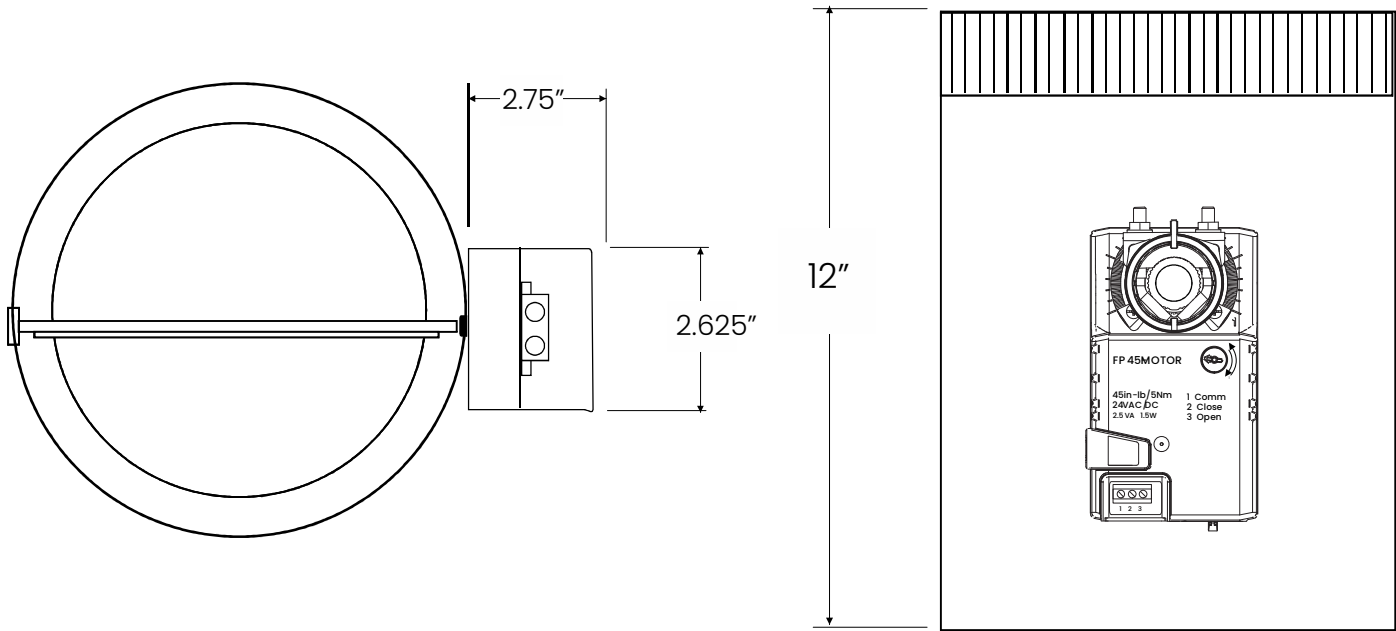


SPECIFICATION SHEET

TD-XX Round, 3-wire Floating Point Motorized Zone Control Dampers



SPECIFICATIONS

DIMENSIONS:

APPLICATION:

Damper models TD-XX are available in standard sizes from 5" to 20"
Used with Trane® ComfortLink™ and American Standard® AccuLink™ zone control systems.

CONSTRUCTION:

- 22 gauge steel shell
- 20 gauge steel blade
- ½" aluminum shaft
- Nylon bushings
- Air tight blade seals
- Minimum position adjustment

ELECTRICAL:

- 24 Volt, 2.1 VA
- 3-Wire
- 60 second timing
- 18 lb.-in.

Drawings are intended to show general, overall product dimensions and provide guidance for installation clearance. Drawings are not to scale. iO HVAC Controls reserves the right to make product changes without notification or obligation.