

TRANE® COMFORTLINK™ II AND AMERICAN STANDARD® ACCULINK™ COMPATIBLE DAMPERS

iO HVAC Controls offers a wide selection of in-stock round and rectangular dampers that are compatible with the Trane® ComfortLink™ II and the American Standard® AccuLink™ zone control systems. We offer standard and custom sizes, competitive pricing and same-day shipping.



Ask us about retrofit options

Features and Benefits:

- Compatible with the Trane® ComfortLink™ II and the American Standard® AccuLink™ systems
- 3-wire 24V motor; power close/power open
- Large selection available in stock – ship the same day
- Round and rectangular models offer installation flexibility
- Rectangular offers side-mount and bottom-mount
- Simple adjustment for setting the minimum position

Warranty:

- 10 Years

EQUIPPED WITH



ACTUATORS

Specifications:

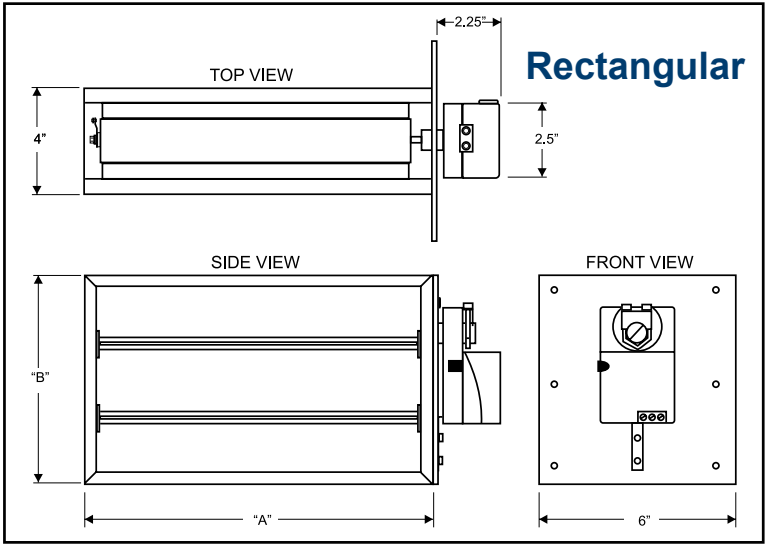
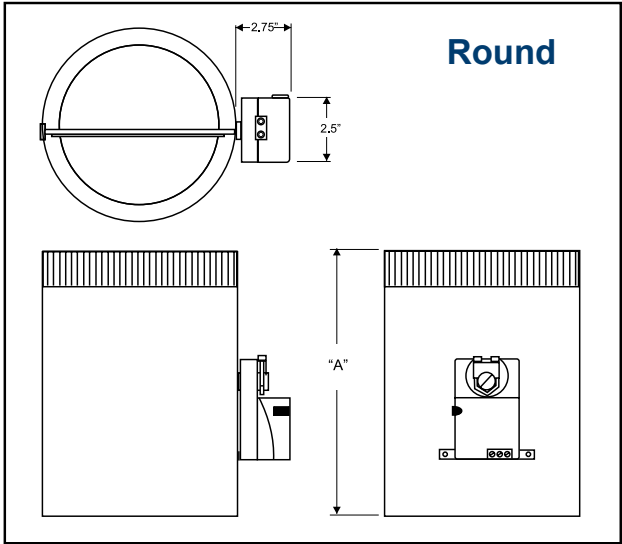
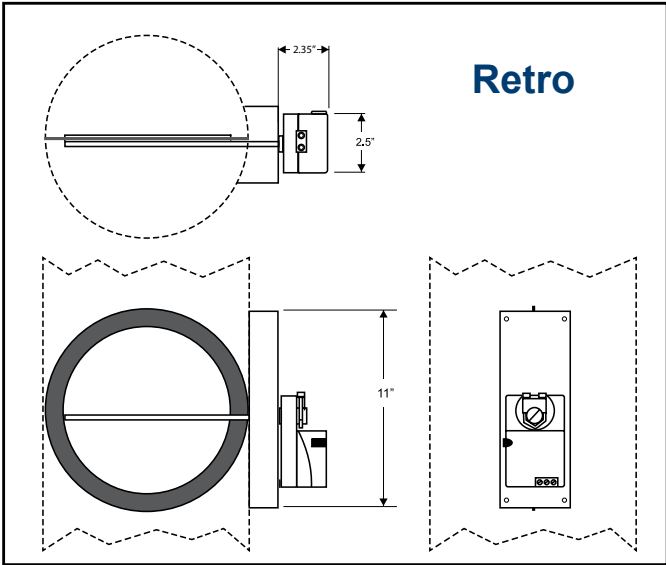
Construction	Round: 22-gauge steel shell Rectangular: extruded aluminum
Sizes	Round: 4" to 20" Rectangular: 6" x 6" to 36" x 24" side-mount and bottom-mount
Damper Actuator Type	24VAC, 2.5VA, 3-wire power open/power close
Timing	60 seconds



5351 East Thompson Road Suite 142
Indianapolis, IN 46237
P: 888.359.0362
F:317.489.5204

info@iOhvaccontrols.com
www.iOhvaccontrols.com

DAMPER DIAGRAM



5351 East Thompson Road Suite 142
 Indianapolis, IN 46237
 P: 888.359.0362
 F: 317.489.5204

info@iOhvaccontrols.com
 www.iOhvaccontrols.com