

MODEL

5970

Universal Thermostat Guard

USER MANUAL

The Braeburn 5970 Thermostat Guard is a universal thermostat guard that covers and protects wall thermostats against damage, tampering and unauthorized adjustment of thermostat settings. The 5970 thermostat guard includes a clear plastic guard cover and ring base, opaque plastic wallplate, wallplate template, screws, anchors and tumbler lock with two keys. This thermostat guard is ideal for offices, lobbies, hospitals, schools, supermarkets, restaurants, convenience stores and other public areas to prevent unauthorized personnel from adjusting the temperature. This thermostat guard can be used in new and existing thermostat applications.

READ ALL INSTRUCTIONS BEFORE PROCEEDING

WARNING!

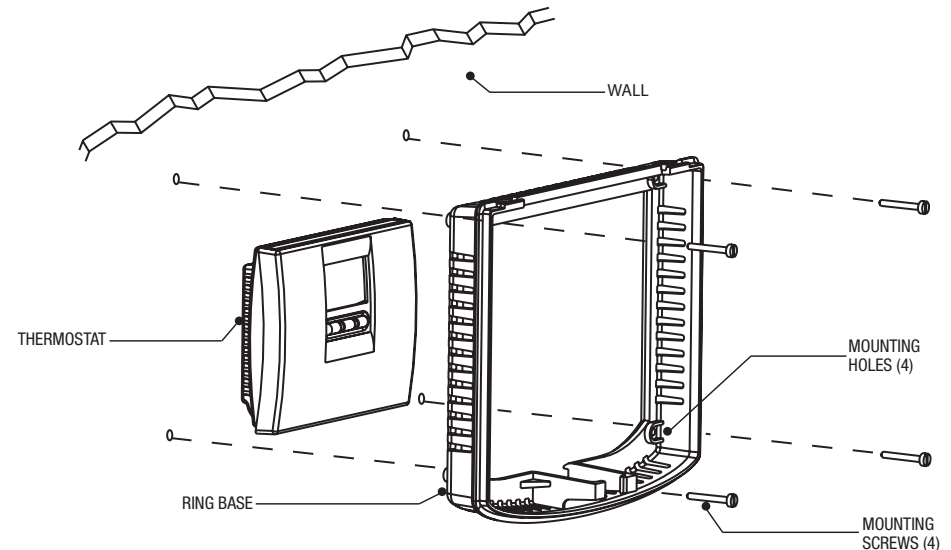
*Important
Information*

- Read this manual thoroughly prior to installing thermostat guard.
- Verify dimensions given in this manual and on the product to ensure product is suitable for your application.
- Prior to finishing installation, refer to applicable thermostat manual and test thermostat operation.
- This thermostat guard should only be used as described in this manual. Any other use is not recommended and will void the warranty.
- For a replacement key, please contact our Customer Service Department at 1-866-268-5599.

- The Braeburn® 5970 Thermostat Guard can be used in virtually all new or existing thermostat applications. The enclosed template provides mounting locations for a wide range of commercial thermostat models.
- With most existing thermostat applications, the thermostat guard can be installed without removing the thermostat from the wall. In existing applications, only the cover and ring base will be used, NOT the wallplate. For some existing installations the thermostat may need to be removed from the subbase to install ring base.
- In new thermostat applications, the thermostat guard can be used with or without the wallplate. The wallplate is usually used to cover scratches or marks from the old thermostat installation.

1.1 Installing Thermostat Guard with Existing Thermostat

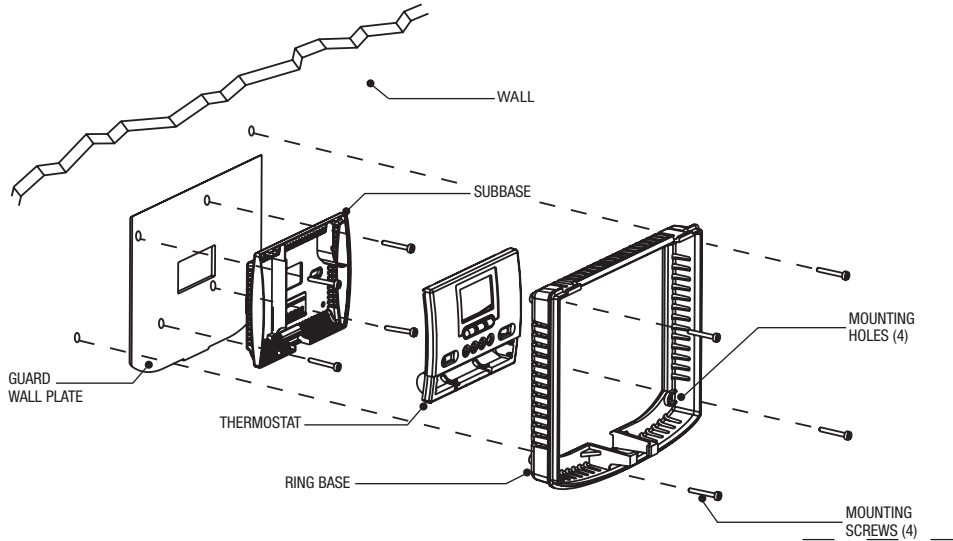
1. Place the ring base over the existing thermostat on the wall with curved edge of the ring base facing down.
NOTE: Some thermostats will need to be removed from the subbase before installing the ring base.
2. Align the ring base with the existing thermostat and level.
3. Mount the ring base on the wall using the four provided anchors and screws.
4. Mount the thermostat guard cover by placing the hinged edge of the thermostat guard cover over the top edge of the ring base and lowering the cover to the ring base. *NOTE: The key must be in the UNLOCKED position.*
5. Lock the thermostat guard by turning the provided key counterclockwise. The key can ONLY be removed when it is in the LOCKED position.



WARNING!

Important Safety Information

Disconnect power supply to prevent electrical shock or equipment damage.



1. Place the thermostat subbase on the thermostat guard wallplate template and use the existing hole locations for your model.
2. Using the template as a guide, locate and drill 5/32 inch mounting holes in the wallplate (Use the chart below as a guide for template hole designations). *NOTE: The curved edge of the wallplate should face down.*

Thermostat	Hole (5/32 in.)	Thermostat	Hole (5/32 in.)	Thermostat	Hole (5/32 in.)
Braeburn® Premier Series	C	Honeywell T87F Series	E	Robertshaw 9600 Series	G
Braeburn Builder Series	J	Honeywell T8600 Series	I	Robertshaw 9700	D
Honeywell® T7300 Series	A	White-Rodgers® 1F70 Series	F	Robertshaw 9400/9500	D
Honeywell T8112	B	White-Rodgers 1F80 Series	K	Totaline® Commercial	C
Honeywell T8000	D	White-Rodgers 1F90 Series	H	ICM®	D
Honeywell T8400 Series	E	Robertshaw® 8400/8600 Series	J	Lux® PSP 722	D

3. In certain applications the hole pattern on the template may not match the thermostat subbase holes. For these applications, mark and drill necessary 5/32 inch mounting holes in the wallplate, and ensure mounting position allows adequate clearance to open doors and covers.
4. Run the system wires through the wiring hole in the thermostat guard wallplate.
5. Mount the thermostat subbase and the thermostat guard wallplate to the wall. *NOTE: If thermostat is a back-wired thermostat, wire the thermostat before mounting it to the wall.*
6. Refer to thermostat manual to wire thermostat.
7. Mount the thermostat on the subbase.
8. Place the ring base over the mounted thermostat and wallplate and mount using the four anchors and screws provided.
9. Mount the thermostat guard cover by placing the hinged edge of the thermostat guard cover over the top edge of the ring base and lowering the cover to the ring base. *NOTE: The key must be in the UNLOCKED position.*
10. Lock the thermostat guard by turning the provided key counterclockwise. The key can ONLY be removed when it is in the LOCKED position.

2 Removing Thermostat Guard Cover

- Unlock the thermostat guard by inserting the key and turning clockwise.
- Remove the thermostat guard cover by lifting cover away from the base and off the hinges.

Braeburn®

**1 YEAR
LIMITED
WARRANTY**

Store this manual for future reference



ONE YEAR LIMITED WARRANTY: Braeburn Systems LLC warrants each new Braeburn thermostat guard against any defects that are due to faulty material or workmanship for a period of one year after the original date of purchase by a professional service technician. This warranty and our liability does not apply to damage to merchandise resulting from accident, alteration, neglect, misuse, improper installation or any other failure to follow Braeburn installation and operating instructions. Braeburn Systems LLC agrees to repair or replace at its option any Braeburn thermostat guard under warranty provided it is returned postage prepaid to our warranty facility in a padded carton within the warranty period, with proof of the original date of purchase and a brief description of the malfunction. This limited warranty does not include the cost of removal or re-installation. This warranty gives you specific legal rights and you may also have other rights that vary from state to state or province to province. Answers to any questions regarding our limited warranty may be obtained by writing our corporate offices.

Warranty Facility: Braeburn Systems LLC
Attn: Warranty Department
2215 Cornell Avenue
Montgomery, IL 60538

Braeburn®

Braeburn Systems LLC
2215 Cornell Avenue • Montgomery, IL 60538
Made in China
Technical Assistance: www.braeburnonline.com
Phone: 866-268-5599

All trademarks are the property of their respective owners.
© 2005 Braeburn Systems LLC • All Rights Reserved.