

# BAS-1P

1Ø, 110V, 1/10 - 1HP  
1Ø, 240V, 1/10 - 1HP

SPECIFIED  
CONTROLS



## 1Ø BUILDING AUTOMATION STARTER

### ONE PHASE. ONE SOLUTION

The BAS-1P protects single phase motors with an adjustable 1-16A class 10 electronic overload. It includes features like run status verification, a concealed Hand/Auto switch, lockable on/off switch, and system override mode (smoke purge). All of this in a compact design that installs on a single junction box.



## FEATURES

### On/Off Disconnect Switch with Recessed Hand/Auto Modes

- Concealed Hand/Auto switch discourages tampering
- Lockable motor-rated On/Off switch meets safety regulations
- Meets NEC motor service disconnect requirements when properly installed
- LED indicator lights for power, run and fault

### Run Status Verification

- Integrated current sensing confirms motor operational status
- Quickly and accurately pinpoint malfunctioning equipment

### Voltage & Dry Inputs for Auto Run Command

- Wire directly from the automation system to the starter, no interposing relays necessary
- Save on installation costs and increase reliability.

### System Override Mode (Fireman's, Occupancy or Manual)

- Initiates smoke purge sequence during emergency situations for safety and code compliance or use for occupancy sensor run input (dry contact)

### Wide Range Class 10 Electronic Overload

- Prevents ordering confusion and eliminates call backs due to mis-sized heaters
- Advanced protective features including anti-cycling, manual/auto reset, etc.

### Standard Single Gang Box Installation

- Easy to install in any location
- Surface or flush mount capability

### High Reliability

- Heavy duty motor-rated switch and control relay
- No thermal elements to fail
- All units include a 5-Year warranty
- UL 508 Listed

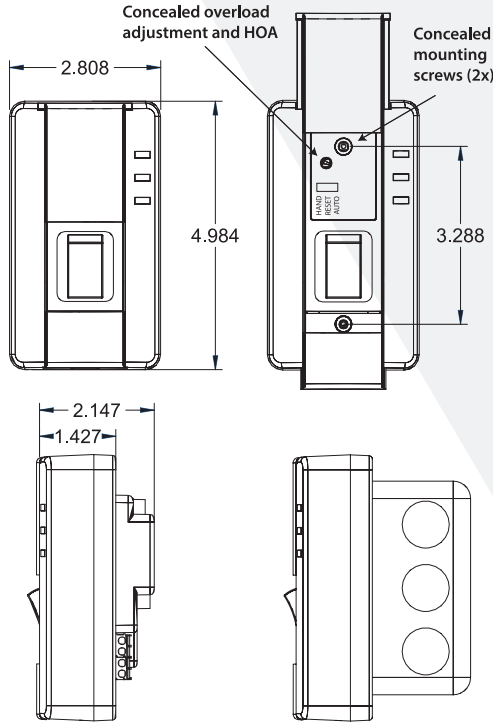
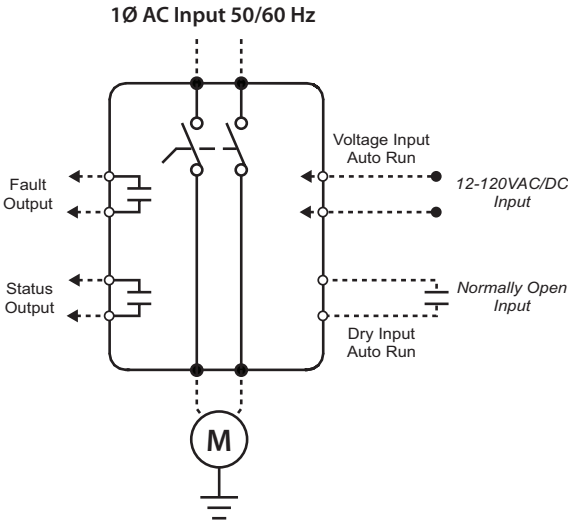


Adjustable overload (1-16A) eliminates sizing heaters

# BAS-1P WIRING SCHEMATICS

# DIMENSIONS

All dimensions displayed in inches



## BAS-1P Specification

### Starter Type

BAS-1P - Standard Automation Starter, 1-Phase  
 120~230VAC, 1-Phase, 50/60Hz input, Across the line, full-voltage non-reversing (1HP)  
 NEMA Type 1

### User Interface

On/Off Switch, Concealed Hand-Off-Auto Switch

### Standard Control Operations

Inputs	Voltage Auto-Run	Accepts 12-120VAC/DC. Applying voltage will send a run command to the starter when in Auto mode.
	Dry Contact Auto-Run	Normally Open dry contact. When closed, the starter will be commanded to run when in Auto mode.
Outputs	Status Relay	Normally Open relay contacts. Status Relay will close when the motor draws 60% of the FLA dial setting.
	Fault Relay	Fault Relay will close in the event of a fault trip. <b>Contact Ratings:</b> 0.3A @ 125VAC, 1A @ 24VAC
Operational	Overload Type	Electronic I <sup>2</sup> t trip curve
	Fault Reset	Manual or Automatic
	Power Fail Mode	Return to last mode the starter was placed in (Hand/Off/Auto) with no delay (default)

### Environmental

Ambient Operating Temp	-5° to 104° F (-20° to 40° C)
Ambient Storage Temp	-5° to 185° F (-20° to 85° C)
Relative Humidity	5% to 95% non-condensing

Motor Protection	Adjustment / Description	Default Setting
Overload Current Setting Range	1-16A	Per FLA
Overload Trip Class	Class 10, Trip current = 115% of FLA setting	Class 10
Locked Rotor / Stall	Trips within 2 seconds @ 300% FLA setting	Always On

## Ordering Information

Starter with Manual Overload Trip Reset	BAS-1P
Starter with Automatic Overload Trip Reset	BAS-1P-AR