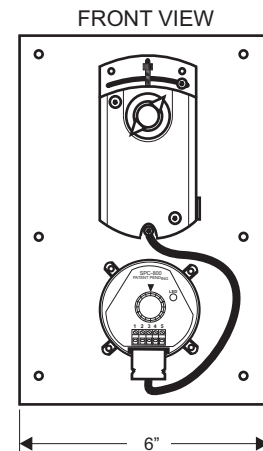
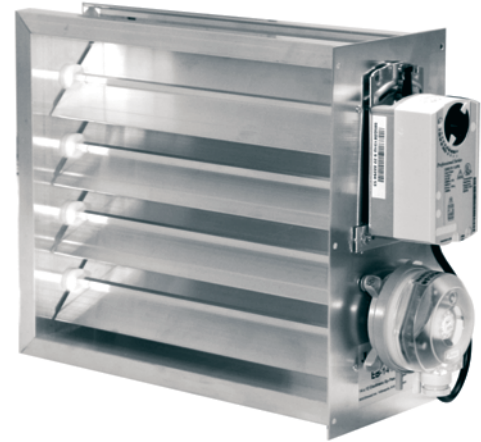
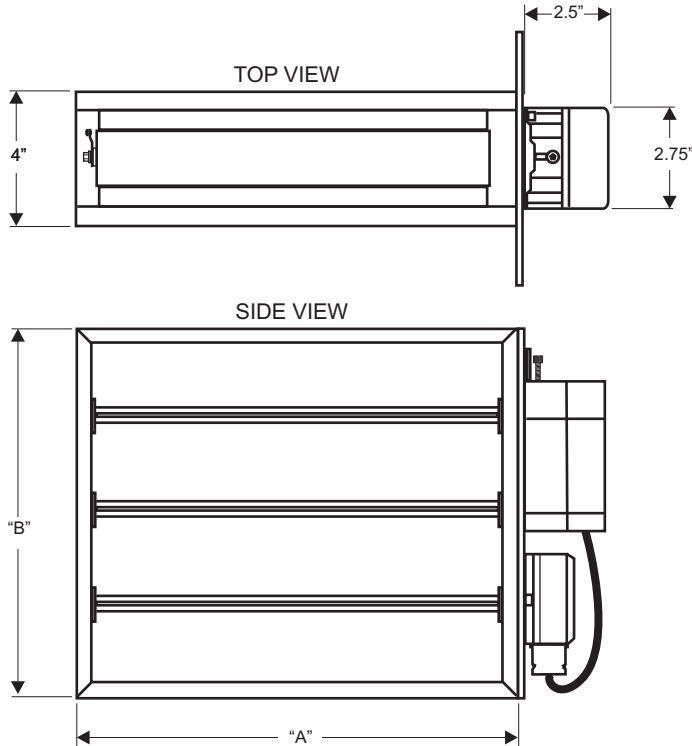


EB-XXXX RECTANGULAR ELECTRONIC BYPASS DAMPERS



SPECIFICATIONS

DIMENSIONS:

Damper models EB-XXXX are sized width (A) by height (B) with actuator on the (B) dimension.
Actual (A) and (B) dimensions are undercut 1/4".
Standard sizes range from 8" x 8" up to 36" x 24" in 2" increments.

APPLICATION:

Compatible for zone control and other HVAC applications in maintaining system static pressure from 0.08" to 0.80" W.C.

CONSTRUCTION:

- 1/16" extruded aluminum frame
- 1/16" extruded aluminum parallel blades
- 1/16" aluminum mounting flange
- Nylon bushings
- Minimum position adjustment

ELECTRICAL:

- 24 Volt, 2 VA, floating point
- 90 second timing
- 44 lb.-in.

STATIC PRESSURE CONTROL:

- Factory mounted on "B" dimensions 14" and up
- 1/4" I.D. flex hose connection
- Tubing and plastic pressure probe included
- Solid state control design
- Built-in LED for damper direction
- 0.08" to 1.20" W.C. pressure range
- 40" W.C. maximum pressure
- 1 Amp switching current at 24 VAC