

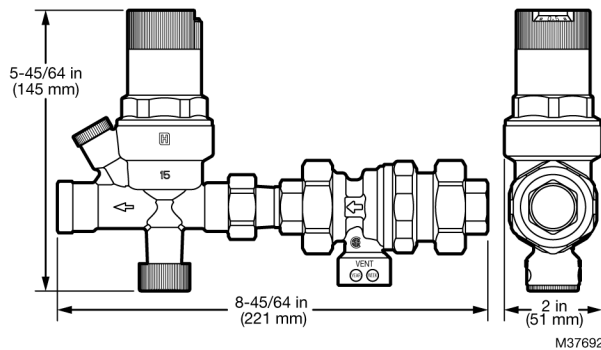
# Dialset Boiler Fill Valve

FM911 = VF06 + BP900

## SUBMITTAL SHEET

Job Name	
Engineer	
Mechanical Contractor	
Contractor's P.O. No.	
Representative	
Notes	

Model(s)			
	Qty.		Notes
	Qty.		Notes
Approval			
Service			
Tag No.			



### APPLICATION

The VF06 Dial-set boiler fill valve enables simple and safe filling or refilling of a closed heating system. A pressure reducing valve and a manual shutoff are combined in one unit.

### FEATURES

- Easy Dial-set technology allows simple output pressure setting in psi
- Integrated 1/4" NPT pressure gage port for testing
- Fill Valve has 1/2" internal NPT threads and external union threads on both input and output sides
- Kit includes 1 union nut with 1/2" Male NPT tailpiece and 1/2" Female sweat tailpiece for flexible installation options
- Balanced-seat pressure reducing valve prevents inlet pressure fluctuations from influencing outlet pressure
- Integrated manual shutoff feature for simple maintenance

### SPECIFICATIONS

- Adjustment Range: 8-50 psi
- Factory Pressure Setting: 15 psi
- Maximum Operating Pressure: 150 psi
- Medium Temperature: 33 F -140 F
- Manometer Connection: 1/4" NPT
- Dimensions: See Table 1

Table 1. Specifications for FM911/U.

Component	Connection Type	Union	Maximum Operating Pressure	Output Pressure Range (psi)	Dimensions, Approximate (inch)	Description
VF06-100-SUSUT/u	1/2" Internal NPT Union Thread  G 3/4" External Threads per ISO 228-1	1 Union nut, 1 1/2" Male NPT 1 1/2" Female Sweat	150 psi (1034 kPa)	8 psi to 50 psi	4 1/8 in. high x 5 5/16 in. long	"DialSet" Boiler fill valve with 1/2" female threaded inlets and outlets and union fittings. Includes: (1) Union nut (1) male NPT tailpiece (1) female sweat tailpiece
BP900/U	1/2" Internal NPT Threads on all 3 ports	2 Union nuts (2) 1/2" female NPT	150 psi (1034 kPa)	N/A	4 7/8 in. long x 2 1/2 in. wide	Double check backflow preventer with an intermediate vacuum breaker designed to prevent the backflow of contaminated water into the potable water supply



## INSTALL

Install the VF06 with the flow arrow on the body pointing in the direction of flow. A shutoff valve and backflow preventer should be installed on the city water side of the VF06. The union fittings can be installed on either the inlet or the outlet side of the valve. On the side without the union fitting, the valve has an internal 1/2" NPT connection.

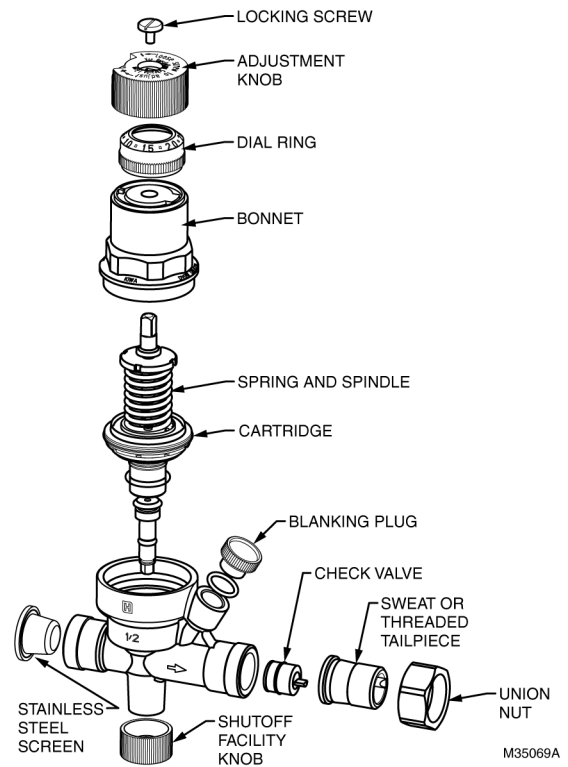
## OPERATION

The VF06 valve is factory set for 15 psi. To change this setting loosen the lock screw. Then turn the dial clockwise to increase the set pressure and counterclockwise to lower the set pressure. When the desired pressure is obtained tighten the locking screw.

## Setting Outlet Pressure

Set outlet pressure a minimum of 14.5 psi below inlet pressure.

1. Close shutoff valve on inlet.
2. Release pressure valve on outlet side (e.g. through water tap).
3. Close shutoff valve on outlet.
4. Loosen slotted screw (do not remove the screw).
5. Slacken tension in compression spring by turning the control handle to the left (-) until it does not move any more.
6. Slowly open shutoff valve on inlet.
7. Turn control handle until the setting scale shows the desired value.
8. Re-tighten slotted screw.
9. Slowly open shutoff valve on outlet.



**resideo**

Resideo Inc., 1985 Douglas Drive North  
Golden Valley, MN 55422

©2018 Resideo Technologies, Inc.  
All rights reserved. The Honeywell Home trademark is used  
under license from Honeywell International Inc.  
33-00448-02 M.S. Rev. 11-18  
Printed in U.S.A.