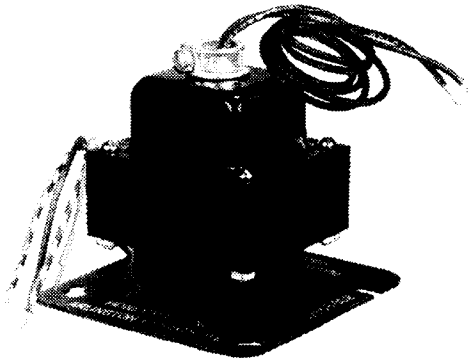


Transformers

Product literature is available on the Honeywell website at www.honeywell.com

GENERAL SPECIFICATIONS

□ AT50



RC8

This transformer with mounting plate for a standard 4 x 4 outlet box is used in HVAC applications.

Electrical Ratings:

Primary Voltage

- 240/480V ac, 50/60 Hz
- 277V ac, 50/60 Hz

Secondary voltage:

- 17/24 V ac at 50 VA

Connections:

- Primary: 8-in. (203-mm) leadwires
- Secondary: 18-in. (457-mm) leads

Approval Bodies:

- Underwriters Laboratories (UL) listed

Dimensions:

- See Figure 1.

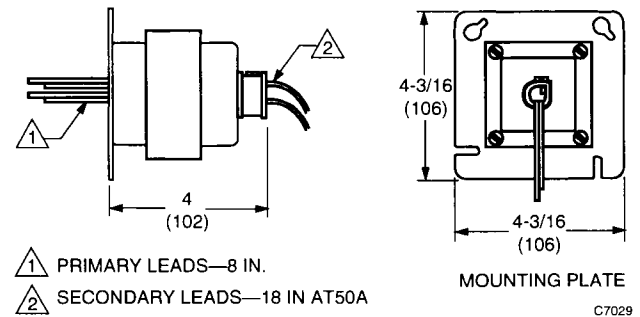
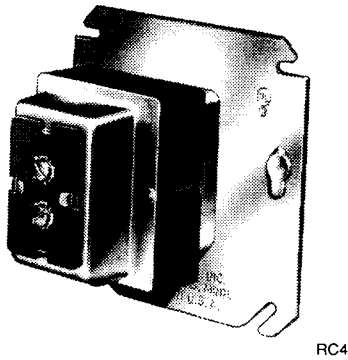


Fig. 1. AT50 Approximate Dimensions in Inches (Millimeters).



AT72D



RC4

Connections:

Primary: 9-in. (229-mm) leadwires

Secondary:

- 9-in. (229-mm) leads
- 32-in. (800-mm) leads
- Screw terminals

Approval Bodies:

Underwriters Laboratories (UL) listed
Canadian Standards Association (CSA) Approved

Dimensions:

See Figure 2.

This Class Z stepdown transformer with mounting plate for a standard 4 x 4 outlet box is used in HVAC applications. It has an internal fusible link for overload protection.

Electrical Ratings:

Primary Voltage

- 120V ac, 50/60 Hz
- 208V ac, 50/60 Hz
- 220V ac, 50 Hz
- 220V ac, 50/60 Hz
- 240V ac, 50/60 Hz
- 208/2240V ac, 50/60 Hz

Secondary voltage:

- 24 V ac at 39 VA

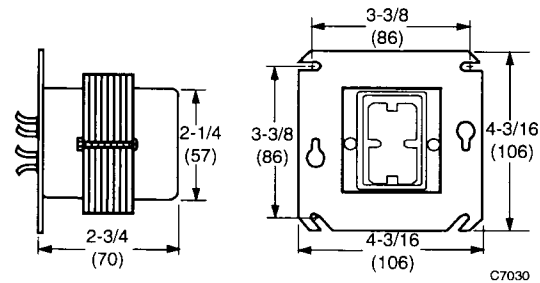
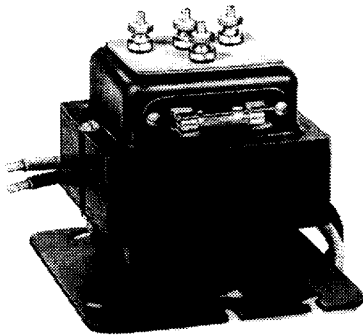


Fig. 2. AT72D Approximate Dimensions in Inches (Millimeters).

AT74A



RC5

This rugged, heavy duty general purpose transformer without overload protection is used in HVAC applications. It includes a mounting plate for a standard 4 x 4 outlet box.

Electrical Ratings:

Primary Voltage

- 120V ac, 50/60 Hz
- 208V ac, 50/60 Hz
- 240V ac, 50/60 Hz

Secondary voltages:

- 18V ac at 65 VA
- 20V ac at 80 VA
- 24V ac at 100 VA

Connections:

Primary: Leadwires
Secondary: Thumb screws

Approval Bodies:

Underwriters Laboratories (UL) listed
Canadian Standards Association (CSA) Approved

Dimensions:

See Figure 3.

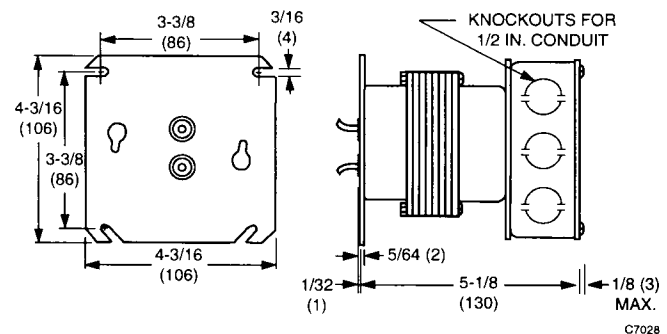
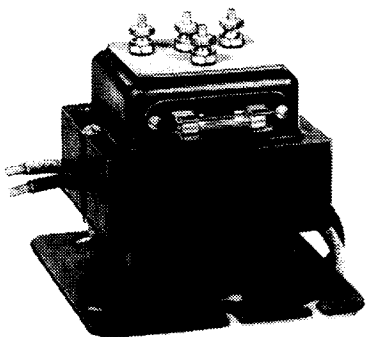


Fig. 3. AT74A and B Approximate Dimensions in Inches (Millimeters).

□ AT74B



RC5

This rugged, heavy duty general purpose transformer with replaceable overload protection is used in HVAC applications. It includes a mounting plate for a standard 4 x 4 outlet box.

Electrical Ratings:

Primary Voltage

- 120V ac, 50/60 Hz

Secondary voltages:

- 18V ac at 3A
- 20V ac at 3A
- 24V ac at 3A

Connections:

Primary: Leadwires

Secondary: Thumb screws

Approval Bodies:

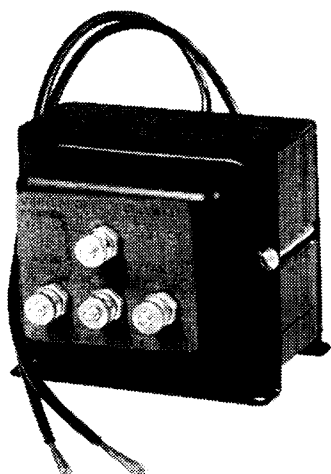
Underwriters Laboratories (UL) listed

Canadian Standards Association (CSA) Approved

Dimensions:

See Figure 3.

□ AT74C



RC3

This rugged, heavy duty general purpose transformer without overload protection is used in HVAC applications. It is foot mounted.

Electrical Ratings:

Primary Voltage

- 120V ac, 50/60 Hz

Secondary voltages:

- 20V ac at 80 VA
- 24V ac at 96 VA
- 28V ac at 84 VA

Connections:

Primary: Leadwires

Secondary: Thumb screws

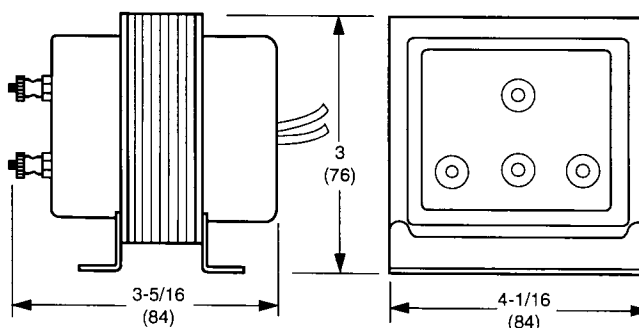
Approval Bodies:

Underwriters Laboratories (UL) listed

Canadian Standards Association (CSA) Approved

Dimensions:

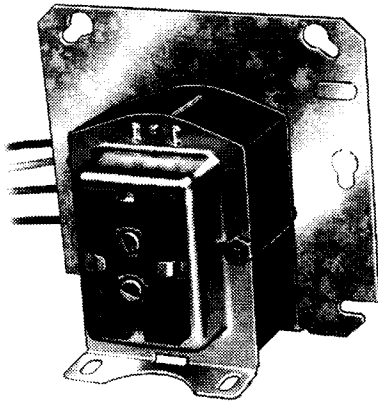
See Figure 4.



C7032

Fig. 4. AT74C Approximate Dimensions in Inches (Millimeters).

□ **AT87A**



RC7

- 120/208/2240V ac, 50/60 Hz
 - 208/240V ac, 50/60 Hz
- Secondary voltages:
- 20V ac at 80 VA
 - 24V ac at 96 VA
 - 28V ac at 84 VA

Connections:

Primary: Leadwires
 Secondary: Screws terminals

Approval Bodies:

Underwriters Laboratories (UL) listed
 Canadian Standards Association (CSA) Approved

Dimensions:

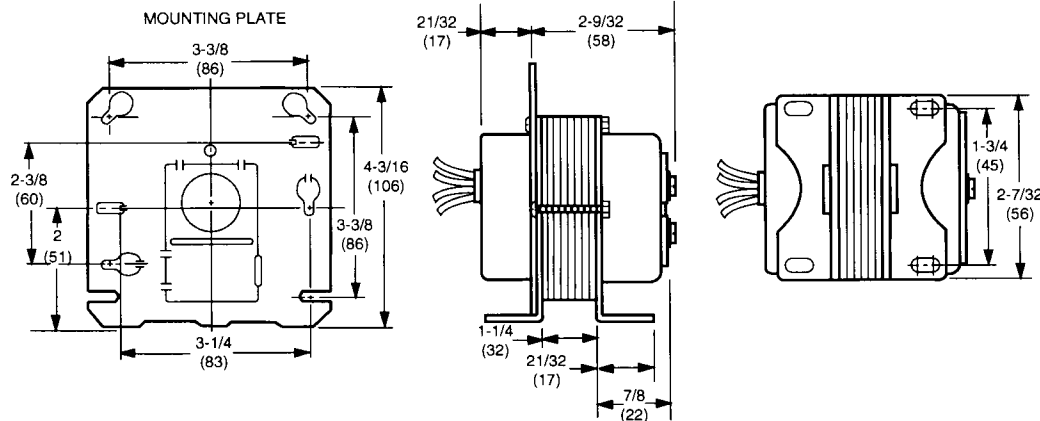
See Figure 5.

This Class 2, energy limited, transformer without overload protection is used in HVAC applications. It includes a mounting plate for a standard 4 x 4 outlet box.

Electrical Ratings:

Primary Voltage

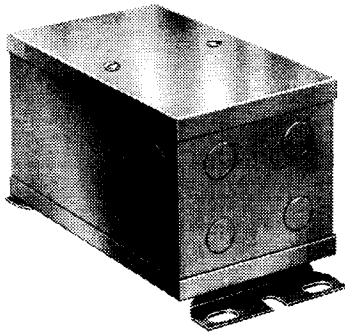
- 120V ac, 50/60 Hz
- 240V ac, 50/60 Hz
- 277V ac, 50 Hz



C7031

Fig. 5. AT87A Approximate Dimensions in Inches (Millimeters).

AT92A



RC8

Connections: (See Fig. 7 for schematic)

Primary: Leadwires
Secondary: Leadwires

Approval Bodies:

Underwriters Laboratories (UL) listed
Canadian Standards Association (CSA) Approved

Dimensions:

See Figure 6.

This Class 1 Type A transformer is used in HVAC applications. The core and coils are potted in a heavy sheet metal box.

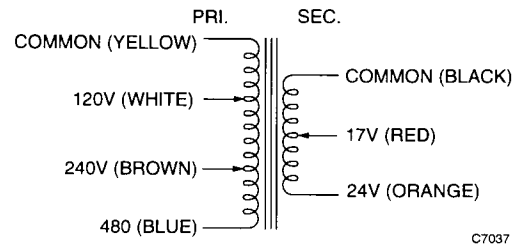
Electrical Ratings:

Primary Voltage

- 120/240/480V ac, 50/60 Hz

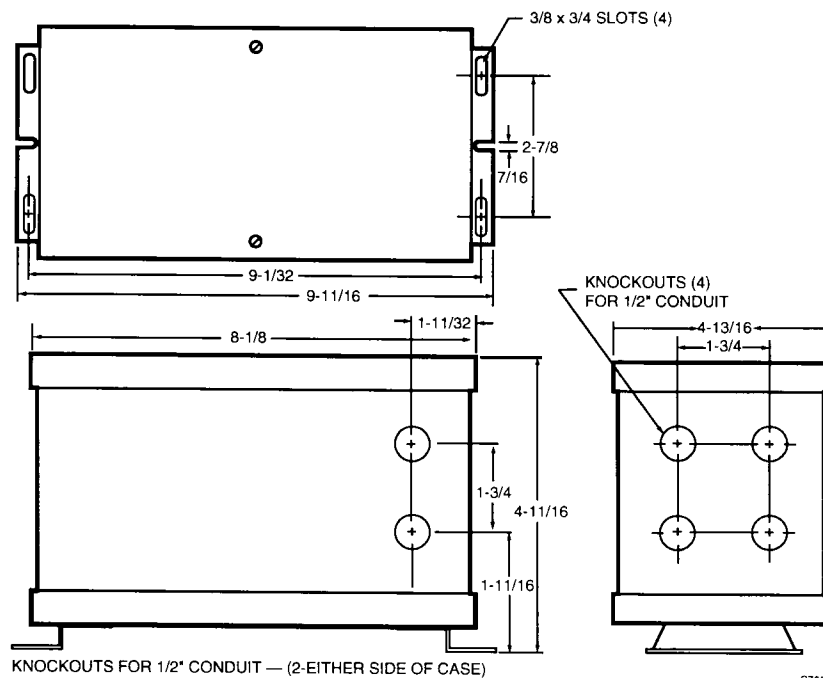
Secondary voltages:

- 17V ac at 70 VA
- 24V ac at 100 VA



C7037

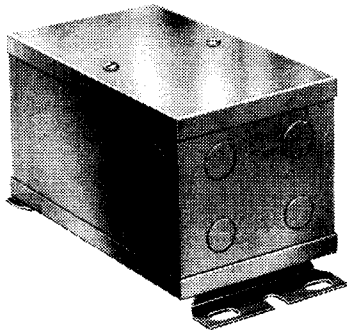
Fig. 7. AT92 A and C Schematic.



C7038

Fig. 6. AT92A, B, AND C Approximate Dimensions in Inches (Millimeters).

AT92B



RC6

This Class 1 Type A transformer is used in HVAC applications. The core and coils are potted in a heavy sheet metal box.

Electrical Ratings:

- Primary Voltage
240/480V ac, 50/60 Hz
- Secondary voltages:
 - 120V ac at 100 VA
 - 240V ac at 100 VA

Connections: (See Fig. 8 for schematic)

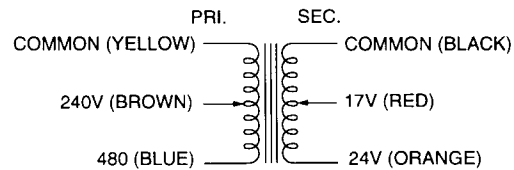
- Primary: Leadwires
- Secondary: Leadwires

Approval Bodies:

- Underwriters Laboratories (UL) listed
- Canadian Standards Association (CSA) Approved

Dimensions:

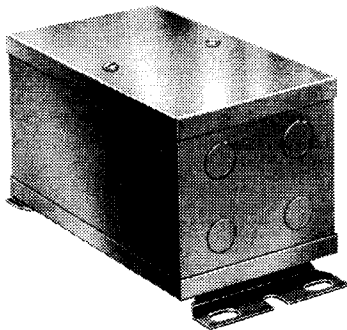
See Figure 6.



C7036

Fig. 8. AT92B Schematic.

AT92C



RC6

This Class 1 Type A transformer is used in HVAC applications. The core and coils are potted in a heavy sheet metal box.

Electrical Ratings:

- Primary Voltage
 120/240/480V ac, 50/60 Hz
- Secondary voltages:
 - 17V ac at 175 VA
 - 24V ac at 250 VA

Connections: (See Fig. 7 for schematic)

- Primary: Leadwires
- Secondary: Leadwires

Approval Bodies:

- Underwriters Laboratories (UL) listed
- Canadian Standards Association (CSA) Approved

Dimensions:

See Figure 6.

Honeywell

Home and Building Control
Honeywell Inc.
Honeywell Plaza
P.O. Box 524
Minneapolis, MN 55408-0524

Home and Building Control
Honeywell Limited-Honeywell Limitée
740 Ellesmere Road
Scarborough, Ontario
M1P 2V9

Helping You Control Your World