

272804A
RANGE STOP AND COVER LOCKING
ASSEMBLY FOR HONEYWELL
ELECTRIC HEATING THERMOSTATS

Honeywell

For Models:

T498 (manufactured after November 1993),
T410, T4398, T4098

SECURITY FEATURES

Locking Cover, Figure 1

1. Remove cover by swinging up from the bottom.
2. Insert Tinnerman Speed Nut[®] supplied into slot at upper and lower rear of thermostat base.
3. Drive Allen screws into Speed Nuts until head is flush with lower edge of Thermostat base.
4. Re-install cover and lock by backing out Allen screws until screw body protrudes through cover hole.
5. To unlock cover, drive Allen screws into thermostat base until screws body clears cover.

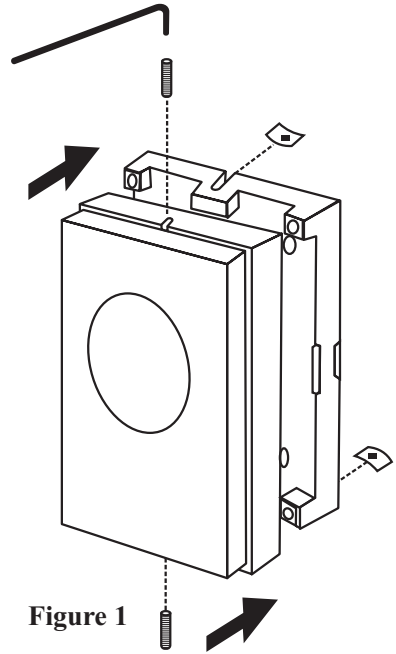


Figure 1

Range Stops, Figure 2

1. Set thermostat to desired set point
Remove cover.
2. Install plastic dowels supplied into minimum and/or maximum range stop holes on inside back of cover.
3. Re-install cover. Check operation of range stops.

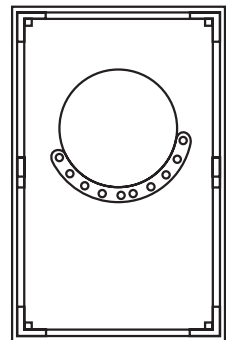


Figure 2