

Product Description

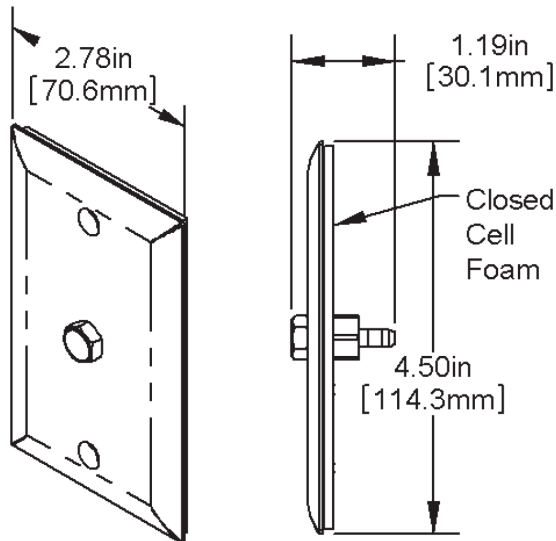
Model RPS is a stainless steel room static pressure pickup port. It mounts directly to the wall or to a ceiling using a standard electrical box. Easily connect poly tubing to the 1/4" barb fitting.



Product Specifications

Operating Range:
(Temperature): 32 to 122°F (0 to 50°C)
(Humidity): 0% to 95% RH, non-condensing
Material: Stainless Steel

Product Dimensions



Specifications are subject to change without notice.