

Industrial Line Voltage Thermostats

Product Description

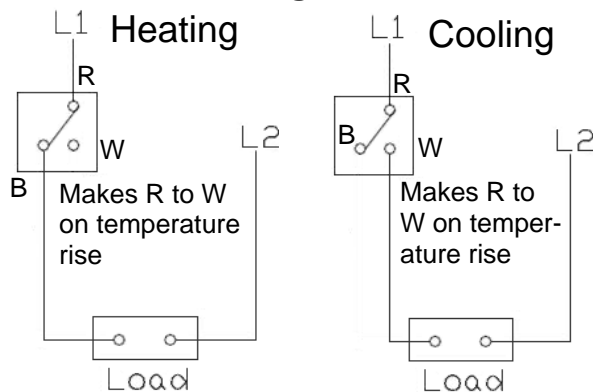
The T6054A1005 is a heating/cooling industrial line voltage thermostat with tin plated element. This rugged, fast responding thermostat is used in a variety of farm, industrial or commercial applications. The T6054A1005 can be mounted in any position with just three screws.



Product Specifications

Output:	SPDT contact
Contact Rating (Voltage):	24/120/240 Vac
Contact Rating (FLA):	7.4 A @ 120 Vac, 3.7 A @ 240 Vac
Contact Rating (LRA):	44.4 A @ 120 Vac, 22.2 A @ 240 Vac
Connections:	Screw Terminals
Set-point Range:	-30 to 110°F (-34 to 43°C)
Temperature Differential:	3.5°F (1.9°C)
Accuracy:	±10°F (±5.6°C)
Housing Size:	7 1/4"H x 2 5/8"W x 2"D (184mm H x 67mm W x 51mm D)
Sensor Type:	Filled element
Sensor Element:	Tin plated copper
Cover Fastener:	Screw
Color:	Gray
Mounting:	Wall or duct mount in any position with 3 screws
Hazmat Information:	UN1294 Toluene
Agency Approvals:	UL Listed: File No. E4436, Vol. 5, sec. 12, Guide No. XAPX CSA Listed: Report-1

Product Wiring



Specifications are subject to change without notice.