

VG1000 Series Forged Brass Ball Valves

Product Bulletin

Code No. LIT-977132
Issued January 2020

VG1000 Series Ball Valves are designed to regulate the flow of hot or chilled water and, for some models, low pressure steam in response to the demand of a controller in HVAC systems. Available in sizes 1/2 through 2 in. (DN15 through DN50), this family of two- and three-way forged brass valves is factory or field mounted to Johnson Controls® VA9104 and VA9300 Series Non-Spring Return and VA9203 and VA9208 Series Spring Return Electric Actuators for on/off, floating, or proportional control. For sweat and press end connection valves supplied with an actuator, the actuator is not mounted to the valve to allow access to the end connections.



Figure 1: VG1000 Series Ball Valves Shown with Factory-Mounted M9000 Series Electric Actuators

WARNING: BRASS MAY CONTAIN LEAD

To fulfill our obligations towards Article 33, in accordance to the European REACH Regulation No 1907/2006 EC, we hereby inform you that this article contains the following Substances of Very High Concern mentioned on the Candidate list:

- Lead

WARNING

This product is made of copper alloy, which contains lead. The product is therefore not to be used on drinking water.

WARNING

This product can expose you to chemicals including lead, which is known to the State of California to cause cancer, birth defects, or other reproductive harm. For more information, go to www.P65Warnings.ca.gov.

Table 1: Features and Benefits (Part 1 of 2)

Features	Benefits
National Pipe Thread (NPT), Sweat, and Press End Connections	Provide the right valve for a broad range of applications, reduce installation time while reducing the need for adapters, and increase system reliability.
Forged Brass Body	Provides 580 psig static pressure rating.
Amodel® Flow Characterizing Disk	Maintains equal percentage flow characteristics for best temperature control, available in a wide variety of Cvs to cover a broad range of applications.
200 psi Closeoff Pressure Rating	Provides tight shutoff.
Chrome-Plated Brass Ball and Stem Assembly Standard	Handles both chilled and hot water applications with a fluid temperature range of 23 to 203°F (-5 to 95°C).
300 Series Stainless Steel Ball and Stem Assembly	Tolerates high temperature water or 15 psi saturated steam with fluid temperatures of -22 to 284°F (-30 to 140°C) or where a higher degree of corrosion protection is desired.
500:1 Rangeability	Provides accurate control under all load conditions.
Ethylene Propylene Diene Monomer (EPDM) Double O-Ring Stem Seal	Provides a leak-free seal; the packing has been tested and is leak-free after 200,000 cycles in iron-oxide contaminated water.

Table 1: Features and Benefits (Part 2 of 2)

Features	Benefits
Graphite-Reinforced Polytetrafluoroethylene (PTFE) Seats	Include 15% graphite-reinforced ball seats, providing better wear resistance.
Blowout-Proof Stem	Protects the user from the risk of injury.
Maintenance-Free Design	Performs without failure in excess of 200,000 full stroke cycles in iron-oxide contaminated water.
Wide Selection of Styles for a Variety of Applications	Offers various valve configurations including two- and three-way full port and reduced port models in chrome-plated brass and stainless steel trim.
Factory-Mounted VA9104, VA9203, VA9208, or VA9300 Series Electric Actuators	Reduce installation time, thus reducing overall installation cost.
M9000-551 Linkage Kit Available for Field Mounting to M9104 Series Electric Actuators	Lowers both space requirements and total cost by providing high thermal isolation in a compact size.
M9000-560 Linkage Kit Available for Field Mounting to M9203 or M9208 Series Electric Actuators	Lowers both space requirements and total cost by providing high thermal isolation in a compact size.
M9310-500 Linkage Kit Available for Field Mounting M9300 Series Electric Actuators	Lowers both space requirements and total cost by providing high thermal isolation in a compact size.
M9000-561 Thermal Barrier Kit for VA9104, VA9203, VA9208, and VA9300 Series Electric Actuators	Allows the valve assembly to be used for fluid temperatures up to 284°F (140°C), or 15 psi (105 kPa) saturated steam.
M9000-342 Weather Shield Kit Available for Field Mounting VA9104, VA9203, VA9208, and VA9300 Series Electric Actuators	Protects the electric actuators from corrosion, rain, freezing rain, sleet and snow. Manufactured to National Electrical Manufacturers' Association (NEMA) 4X (IP66/67).

Ordering Information

Table 2: Ordering Data¹

V	G	Valve Global																		
1	2	1	Product Family										1 = Forged Brass Ball Valve							
		3	Body Type and Flow Characteristic										2 = Two-Way, with Equal Percentage Flow Characteristics 8 = Three-Way Mixing, with Equal Percentage Flow Characteristics of In-line Port and Linear Flow Characteristics of Angle-Port							
		4	End Connection										4 = Threaded - NPT Taper 7 = Sweat (1/2 to 1 in. Sizes) 9 = Press (ProPress® Fitting Compatible, 1/2 to 1 in. Sizes) Press End Connections are designed to work with RIDGID® Pressing Tools.							
		5	Trim										1 = Chrome-Plated Brass Ball and Nickel-Plated Brass Stem 5 = Stainless Steel Ball and Stem, 300 Series							
		6	A	E	Size and Maximum Cv										Size	Control Disk	Control Port Cv (Kvs)	Bypass Port Cv (Kvs) (Three-Way Only)		
			7	8	(Kvs = Cv x 0.857)										AD = 1/2 in. (DN15)	Yes	1.2 (1.0)	0.7 (0.6)		
															AE = 1/2 in. (DN15)	Yes	1.9 (1.6)	1.2 (1.0)		
															AF = 1/2 in. (DN15)	Yes	2.9 (2.5)	1.9 (1.6)		
															AG = 1/2 in. (DN15)	Yes	4.7 (4.0)	2.9 (2.5)		
															AL = 1/2 in. (DN15)	Yes	7.4 (6.3)	4.7 (4.0)		
															AN = 1/2 in. (DN15)	No	11.7 (10.0)	5.8 (5.0)		
															BG = 3/4 in. (DN20)	Yes	4.7 (4.0)	2.9 (2.5)		
															BL = 3/4 in. (DN20)	Yes	7.4 (6.3)	4.7 (4.0)		
															BN = 3/4 in. (DN20)	No	11.7 (10.0)	5.8 (5.0)		
															CL = 1 in. (DN25)	Yes	7.4 (6.3)	4.7 (4.0)		
															CN = 1 in. (DN25)	Yes	11.7 (10.0)	7.4 (6.3)		
															CP = 1 in. (DN25)	No	18.7 (16.0)	9.4 (8.0)		
															DN = 1-1/4 in. (DN32)	Yes	11.7 (10.0)	7.4 (6.3)		
															DP = 1-1/4 in. (DN32)	Yes	18.7 (16.0)	11.7 (10.0)		
															DR = 1-1/4 in. (DN32)	No	29.2 (25.0)	14.6 (12.5)		
															EP = 1-1/2 in. (DN40)	Yes	18.7 (16.0)	11.7 (10.0)		
															ER = 1-1/2 in. (DN40)	Yes	29.2 (25.0)	18.7 (16.0)		
															ES = 1-1/2 in. (DN40)	No	46.8 (40.0)	23.4 (20.0)		
															FR = 2 in. (DN50)	Yes	29.2 (25.0)	18.7 (16.0)		
															FS = 2 in. (DN50)	Yes	46.8 (40.0)	29.2 (25.0)		
															FT = 2 in. (DN50)	No	73.7 (63.0)	36.8 (31.5)		
															+	Actuator Mounting				+= Factory-Mounted Actuator (Leave Fields 9 through 15 blank for valve without factory-mounted actuator.) H = High Temperature Linkage (VA9104, VA9203, VA9208, and VA9300 actuators)
															9					
1	2	3	4	5	6	7	8	9	10	11	12	13	14	15	= Field					
V	G	1	2	4	1	A	E	+												
Valve								+	Actuator											

Example: Forged brass ball valve, two-way, threaded (NPT), brass trim, equal %, 1/2 in. (DN15) 1.9 Cv.

1. Before retrofitting older valves with VA9104, VA9300, VA9203, or VA9208 actuators, be sure that the valves have a tapped hole in the center of the valve stem and no threads in the flange holes. For retrofitting older valves with unthreaded stems and tapped flange holes, add the M9000-561 thermal barrier on the valve and mount the actuator.

See Table 3 to determine the correct factory-mounted actuator, where needed.

Table 3: Ordering Data – Adding a Factory-Mounted Electric Actuator¹

V	G	1	2	4	1	A	E	+		Actuator Mounting ²	+ = Factory-Mounted Actuator H = High Temperature Linkage (VA9104, VA9203, VA9208, and M9300 actuators) (Leave Fields 9 through 15 blank for valve without factory-mounted actuator.)
									9	Actuator Series	9 = VA9000 Series Direct Mounting Actuators
									10	Actuator Series ³	10 = VA9310-HGA-2 Non-Spring Return 23 = VA9203-xxx-2(Z) Spring Opens 28 = VA9208-AGA-2 and VA9208-GGA-2 Spring Opens 38 = VA9208-xxx-3 Spring Opens (available in AGC, BAA, BAC, BGA, BGC, and GGC) 43 = VA9203-xxx-2(Z) Spring Closes 48 = VA9208-AGA-2 and VA9208-GGA-2 Spring Closes 58 = VA9208-xxx-3 Spring Closes (available in AGC, BAA, BAC, BGA, BGC, and GGC) A4 = VA9104-xGA-2S, Non-Spring Return, 120 in. Cable (All 1/2, 3/4, and 1 in. Valves) T4 = VA9104-xGA-3S, Non-Spring Return, Screw Terminals (All 1/2, 3/4, and 1 in. Valves)
									11	Control Type	A = Floating, AC/DC 24 V Input (VA9104, VA9300, VA9203, and VA9208) B = On/Off (VA9203 and VA9208) G = Prop. DC 0 (2) to 10 V or 0 (4) to 20 mA (VA9104, VA9203, and VA9208) H = Universal Input for On/Off, Floating and Proportional 0(2) to 10 VDC with Adjustable Span (VA9300) I = On/Off Floating with Timeout (VA9104)
									12	Supply Voltage	A = AC 120 V (VA9208-BAx Only) G = 24 VAC (All Models), 24 VAC/VDC (VA9300 Series) U = AC 85 to 264 V (VA9203-BUx)
									13	Auxiliary Switch	A = No Auxiliary Switch (All models) B = One Auxiliary Switch C = Two Auxiliary Switches

1	2	3	4	5	6	7	8	9	10	11	12	13	14	15	= Field
V	G	1	2	4	1	A	E	+	9	1	0	H	G	C	
Valve									+	Actuator					

Example: Forged brass ball valve, two-way, threaded (NPT), brass trim, equal %, 1/2 in. (DN15) 1.9 Cv, factory-mounted direct acting VA9310-HGA-2 Actuator, non-spring return, universal input control, 24 VAC/VDC supply (with feedback), and M9300-2 Accessory Kit with two auxiliary switches.

1. Before retrofitting older valves with VA9104, VA9300, VA9203, or VA9208 actuators, be sure that the valves have a tapped hole in the center of the valve stem and no threads in the flange holes. For retrofitting older valves with unthreaded stems and tapped flange holes, add the M9000-561 thermal barrier on the valve and mount the actuator.
2. The high-speed, non-spring return actuators (VA9308-AGA-2Z), the line-voltage, non-spring return actuators (VA9310-AUA-2), and the line-voltage high speed actuators (VA9308-AUA-2Z) are available for mounting in the field; refer to the *VA9300 Series Electric Non-Spring Return Valve Actuators Product Bulletin (LIT-12012265)* for information.
3. Refer to actuator product bulletin for detailed information.

Table 4: Two-Way Stainless Steel Trim Ball Valves, Non-Spring Return, VA9104 Series Actuators without Switches

Fluid Temperatures: -22 to 212°F (-30 to 100°C) Not Rated for Steam Service				AC 24 V		
				On/Off (Floating) without Timeout ¹	On/Off (Floating) with Timeout	DC 0 to 10 V Proportional
Valve	Size, in.	Cv	Closeoff psi			
Actuators with M3 Screw Terminals				VA9104-AGA-3S	VA9104-IGA-3S	VA9104-GGA-3S
VG1245AD	1/2	1.2 ²	200	VG1245AD+9T4AGA	VG1245AD+9T4IGA	VG1245AD+9T4GGA
VG1245AE		1.9 ²		VG1245AE+9T4AGA	VG1245AE+9T4IGA	VG1245AE+9T4GGA
VG1245AF		2.9 ²		VG1245AF+9T4AGA	VG1245AF+9T4IGA	VG1245AF+9T4GGA
VG1245AG		4.7 ²		VG1245AG+9T4AGA	VG1245AG+9T4IGA	VG1245AG+9T4GGA
VG1245AL		7.4 ²		VG1245AL+9T4AGA	VG1245AL+9T4IGA	VG1245AL+9T4GGA
VG1245AN		11.7		VG1245AN+9T4AGA	VG1245AN+9T4IGA	VG1245AN+9T4GGA
VG1245BG	3/4	4.7 ²	200	VG1245BG+9T4AGA	VG1245BG+9T4IGA	VG1245BG+9T4GGA
VG1245BL		7.4 ²		VG1245BL+9T4AGA	VG1245BL+9T4IGA	VG1245BL+9T4GGA
VG1245BN		11.7		VG1245BN+9T4AGA	VG1245BN+9T4IGA	VG1245BN+9T4GGA
VG1245CL	1	7.4 ²	200	VG1245CL+9T4AGA	VG1245CL+9T4IGA	VG1245CL+9T4GGA
VG1245CN		11.7 ²		VG1245CN+9T4AGA	VG1245CN+9T4IGA	VG1245CN+9T4GGA
VG1245CP		18.7		VG1245CP+9T4AGA	VG1245CP+9T4IGA	VG1245CP+9T4GGA
Actuators with 120 in. (3.05 m) 19 AWG Plenum Cable				VA9104-AGA-2S	VA9104-IGA-2S	VA9104-GGA-2S
VG1245AD	1/2	1.2 ²	200	VG1245AD+9A4AGA	VG1245AD+9A4IGA	VG1245AD+9A4GGA
VG1245AE		1.9 ²		VG1245AE+9A4AGA	VG1245AE+9A4IGA	VG1245AE+9A4GGA
VG1245AF		2.9 ²		VG1245AF+9A4AGA	VG1245AF+9A4IGA	VG1245AF+9A4GGA
VG1245AG		4.7 ²		VG1245AG+9A4AGA	VG1245AG+9A4IGA	VG1245AG+9A4GGA
VG1245AL		7.4 ²		VG1245AL+9A4AGA	VG1245AL+9A4IGA	VG1245AL+9A4GGA
VG1245AN		11.7		VG1245AN+9A4AGA	VG1245AN+9A4IGA	VG1245AN+9A4GGA
VG1245BG	3/4	4.7 ²	200	VG1245BG+9A4AGA	VG1245BG+9A4IGA	VG1245BG+9A4GGA
VG1245BL		7.4 ²		VG1245BL+9A4AGA	VG1245BL+9A4IGA	VG1245BL+9A4GGA
VG1245BN		11.7		VG1245BN+9A4AGA	VG1245BN+9A4IGA	VG1245BN+9A4GGA
VG1245CL	1	7.4 ²	200	VG1245CL+9A4AGA	VG1245CL+9A4IGA	VG1245CL+9A4GGA
VG1245CN		11.7 ²		VG1245CN+9A4AGA	VG1245CN+9A4IGA	VG1245CN+9A4GGA
VG1245CP		18.7		VG1245CP+9A4AGA	VG1245CP+9A4IGA	VG1245CP+9A4GGA

1. To avoid excessive wear or drive time on the motor for the AGx models, use a controller or software that provides a timeout function to remove the signal at the end of rotation (stall).
2. Valve has a characterizing disk.

Table 5: Two-Way Stainless Steel Trim Ball Valves, Non-Spring Return, VA9104 Series Actuators without Switches with Optional M9000-561 Thermal Barrier

Fluid Temperatures: -22 to 284°F (-30 to 140°C) Water and 15 psi Saturated Steam				AC 24 V		
				On/Off (Floating) without Timeout ¹	On/Off (Floating) with Timeout	DC 0 to 10 V Proportional
Valve	Size, in.	Cv	Closeoff psi			
Actuators with M3 Screw Terminals with M9000-561 Thermal Barrier Installed				VA9104-AGA-3S	VA9104-IGA-3S	VA9104-GGA-3S
VG1245AD	1/2	1.2 ²	200	VG1245ADH9T4AGA	VG1245ADH9T4IGA	VG1245ADH9T4GGA
VG1245AE		1.9 ²		VG1245AEH9T4AGA	VG1245AEH9T4IGA	VG1245AEH9T4GGA
VG1245AF		2.9 ²		VG1245AFH9T4AGA	VG1245AFH9T4IGA	VG1245AFH9T4GGA
VG1245AG		4.7 ²		VG1245AGH9T4AGA	VG1245AGH9T4IGA	VG1245AGH9T4GGA
VG1245AL		7.4 ²		VG1245ALH9T4AGA	VG1245ALH9T4IGA	VG1245ALH9T4GGA
VG1245AN		11.7		VG1245ANH9T4AGA	VG1245ANH9T4IGA	VG1245ANH9T4GGA
VG1245BG		3/4		4.7 ²	200	VG1245BGH9T4AGA
VG1245BL	7.4 ²		VG1245BLH9T4AGA	VG1245BLH9T4IGA		VG1245BLH9T4GGA
VG1245BN	11.7		VG1245BNH9T4AGA	VG1245BNH9T4IGA		VG1245BNH9T4GGA
VG1245CL	1	7.4 ²	200	VG1245CLH9T4AGA	VG1245CLH9T4IGA	VG1245CLH9T4GGA
VG1245CN		11.7 ²		VG1245CNH9T4AGA	VG1245CNH9T4IGA	VG1245CNH9T4GGA
VG1245CP		18.7		VG1245CPH9T4AGA	VG1245CPH9T4IGA	VG1245CPH9T4GGA
Actuators with 120 in. (3.05 m) 19 AWG Plenum Cable with M9000-561 Thermal Barrier Installed				VA9104-AGA-2S	VA9104-IGA-2S	VA9104-GGA-2S
VG1245AD	1/2	1.2 ²	200	VG1245ADH9A4AGA	VG1245ADH9A4IGA	VG1245ADH9A4GGA
VG1245AE		1.9 ²		VG1245AEH9A4AGA	VG1245AEH9A4IGA	VG1245AEH9A4GGA
VG1245AF		2.9 ²		VG1245AFH9A4AGA	VG1245AFH9A4IGA	VG1245AFH9A4GGA
VG1245AG		4.7 ²		VG1245AGH9A4AGA	VG1245AGH9A4IGA	VG1245AGH9A4GGA
VG1245AL		7.4 ²		VG1245ALH9A4AGA	VG1245ALH9A4IGA	VG1245ALH9A4GGA
VG1245AN		11.7		VG1245ANH9A4AGA	VG1245ANH9A4IGA	VG1245ANH9A4GGA
VG1245BG		3/4		4.7 ²	200	VG1245BGH9A4AGA
VG1245BL	7.4 ²		VG1245BLH9A4AGA	VG1245BLH9A4IGA		VG1245BLH9A4GGA
VG1245BN	11.7		VG1245BNH9A4AGA	VG1245BNH9A4IGA		VG1245BNH9A4GGA
VG1245CL	1	7.4 ²	200	VG1245CLH9A4AGA	VG1245CLH9A4IGA	VG1245CLH9A4GGA
VG1245CN		11.7 ²		VG1245CNH9A4AGA	VG1245CNH9A4IGA	VG1245CNH9A4GGA
VG1245CP		18.7		VG1245CPH9A4AGA	VG1245CPH9A4IGA	VG1245CPH9A4GGA

1. To avoid excessive wear or drive time on the motor for the AGx models, use a controller or software that provides a timeout function to remove the signal at the end of rotation (stall).
2. Valve has a characterizing disk.

Table 6: Two-Way Stainless Steel Trim Ball Valves, Non-Spring Return, VA9300 Series Actuators without Switches

Fluid Temperatures: -22 to 212°F (-30 to 100°C) Not Rated for Steam Service				AC/DC 24 V		
				On/Off	Floating	DC 0(2) to 10 V Proportional
Valve	Size, in.	Cv	Closeoff psi	VA9310-HGA-2		
VG1245DN	1-1/4	11.7 ¹	200	VG1245DN+910HGA		
VG1245DP		18.7 ¹		VG1245DP+910HGA		
VG1245DR		29.2		VG1245DR+910HGA		
VG1245EP	1-1/2	18.7 ¹	200	VG1245EP+910HGA		
VG1245ER		29.2 ¹		VG1245ER+910HGA		
VG1245ES		46.8		VG1245ES+910HGA		
VG1245FR	2	29.2 ¹	200	VG1245FR+910HGA		
VG1245FS		48.8 ¹		VG1245FS+910HGA		
VG1245FT		73.7		VG1245FT+910HGA		

1. Valve has a characterizing disk.

Table 7: Two-Way Stainless Steel Trim Ball Valves, Non-Spring Return VA9300 Series Electric Actuators with Switches

Fluid Temperatures: -22 to 212°F (-30 to 100°C) Not Rated for Steam Service				AC/DC 24 V		
				On/Off	Floating	DC 0(2) to 10 V Proportional
Valve	Size, in.	Cv	Closeoff psi	VA9310-HGA-2 actuator with M9300-2 Switch Kit ¹		
VG1245AD	1/2	1.2 ²	200	VG1245AD+910HGC		
VG1245AE		1.9 ²		VG1245AE+910HGC		
VG1245AF		2.9 ²		VG1245AF+910HGC		
VG1245AG		4.7 ²		VG1245AG+910HGC		
VG1245AL		7.4 ²		VG1245AL+910HGC		
VG1245AN		11.7		VG1245AN+910HGC		
VG1245BG	3/4	4.7 ²	200	VG1245BG+910HGC		
VG1245BL		7.4 ²		VG1245BL+910HGC		
VG1245BN		11.7		VG1245BN+910HGC		
VG1245CL	1	7.4 ²	200	VG1245CL+910HGC		
VG1245CN		11.7 ²		VG1245CN+910HGC		
VG1245CP		18.7		VG1245CP+910HGC		
VG1245DN	1-1/4	11.7 ²	200	VG1245DN+910HGC		
VG1245DP		18.7 ²		VG1245DP+910HGC		
VG1245DR		29.2		VG1245DR+910HGC		
VG1245EP	1-1/2	18.7 ²	200	VG1245EP+910HGC		
VG1245ER		29.2 ²		VG1245ER+910HGC		
VG1245ES		46.8		VG1245ES+910HGC		
VG1245FR	2	29.2 ²	200	VG1245FR+910HGC		
VG1245FS		46.8 ²		VG1245FS+910HGC		
VG1245FT		73.7		VG1245FT+910HGC		

1. For field mounting order VA9310-HGA-2 and the M9300-2 Switch Kit separately.

2. Valve has a characterizing disk.

Table 8: Two-Way Stainless Steel Trim Ball Valves, Non-Spring Return, VA9300 Series Actuators without Switches with Optional M9000-561 Thermal Barrier

Fluid Temperatures: -22 to 284°F (-30 to 140°C) Water and 15 psi Saturated Steam				AC/DC 24 V		
				On/Off	Floating	DC 0(2) to 10 V Proportional
Valve	Size, in.	Cv	Closeoff psi	VA9310-HGA-2 with M9000-561 Thermal Barrier		
VG1245DN	1-1/4	11.7 ¹	200	VG1245DNH910HGA		
VG1245DP		18.7 ¹		VG1245DPH910HGA		
VG1245DR		29.2		VG1245DRH910HGA		
VG1245EP	1-1/2	18.7 ¹	200	VG1245EPH910HGA		
VG1245ER		29.2 ¹		VG1245ERH910HGA		
VG1245ES		46.8		VG1245ESH910HGA		
VG1245FR	2	29.2 ¹	200	VG1245FRH910HGA		
VG1245FS		48.8 ¹		VG1245FSH910HGA		
VG1245FT		73.7		VG1245FTH910HGA		

1. Valve has a characterizing disk.

Table 9: Two-Way Stainless Steel Trim Ball Valves, Non-Spring Return VA9300 Series Electric Actuators with Switches and Optional M9000-561 Thermal Barrier

Fluid Temperatures: -22 to 284°F (-30 to 140°C) Water and 15 psi Saturated Steam				AC/DC 24 V		
				On/Off	Floating	DC 0(2) to 10 V Proportional
Valve	Size, in.	Cv	Closeoff psi	VA9310-HGA-2 actuator with M9300-2 Switch Kit with M9000-561 Thermal Barrier ¹		
VG1245AD	1/2	1.2 ²	200	VG1245ADH910HGC		
VG1245AE		1.9 ²		VG1245AEH910HGC		
VG1245AF		2.9 ²		VG1245AFH910HGC		
VG1245AG		4.7 ²		VG1245AGH910HGC		
VG1245AL		7.4 ²		VG1245ALH910HGC		
VG1245AN		11.7		VG1245ANH910HGC		
VG1245BG	3/4	4.7 ²	200	VG1245BGH910HGC		
VG1245BL		7.4 ²		VG1245BLH910HGC		
VG1245BN		11.7		VG1245BNH910HGC		
VG1245CL	1	7.4 ²	200	VG1245CLH910HGC		
VG1245CN		11.7 ²		VG1245CNH910HGC		
VG1245CP		18.7		VG1245CPH910HGC		
VG1245DN	1-1/4	11.7 ²	200	VG1245DNH910HGC		
VG1245DP		18.7 ²		VG1245DPH910HGC		
VG1245DR		29.2		VG1245DRH910HGC		
VG1245EP	1-1/2	18.7 ²	200	VG1245EPH910HGC		
VG1245ER		29.2 ²		VG1245ERH910HGC		
VG1245ES		46.8		VG1245ESH910HGC		
VG1245FR	2	29.2 ²	200	VG1245FRH910HGC		
VG1245FS		46.8 ²		VG1245FSH910HGC		
VG1245FT		73.7		VG1245FTH0910HGC		

1. For field mounting order VA9310-HGA-2, M9300-2 Switch Kit and M9000-561 Thermal Barrier separately.

2. Valve has a characterizing disk.

Table 10: Two-Way Stainless Steel Trim Ball Valves, Spring Return Valve Open - Valve Normally Open, VA9203/VA9208 Series Actuators with Switches

Fluid Temperatures: -22 to 212°F (-30 to 100°C) Not Rated for Steam Service				AC 24 V			AC 85–264 V (VA9203) AC 120 V (VA9208)
				Floating	DC 0 to 10 V Proportional	On/Off	On/Off
Valve	Size, in.	Cv	Closeoff psi	Spring Return Open — Valve Normally Open — Actuators with One Switch			
				VA9203-AGB-2Z	VA9203-GGB-2Z	VA9203-BGB-2	VA9203-BUB-2
VG1245AD	1/2	1.2 ¹	200	VG1245AD+923AGB	VG1245AD+923GGB	VG1245AD+923BGB	VG1245AD+923BUB
VG1245AE		1.9 ¹		VG1245AE+923AGB	VG1245AE+923GGB	VG1245AE+923BGB	VG1245AE+923BUB
VG1245AF		2.9 ¹		VG1245AF+923AGB	VG1245AF+923GGB	VG1245AF+923BGB	VG1245AF+923BUB
VG1245AG		4.7 ¹		VG1245AG+923AGB	VG1245AG+923GGB	VG1245AG+923BGB	VG1245AG+923BUB
VG1245AL		7.4 ¹		VG1245AL+923AGB	VG1245AL+923GGB	VG1245AL+923BGB	VG1245AL+923BUB
VG1245AN		11.7		VG1245AN+923AGB	VG1245AN+923GGB	VG1245AN+923BGB	VG1245AN+923BUB
VG1245BG	3/4	4.7 ¹	200	VG1245BG+923AGB	VG1245BG+923GGB	VG1245BG+923BGB	VG1245BG+923BUB
VG1245BL		7.4 ¹		VG1245BL+923AGB	VG1245BL+923GGB	VG1245BL+923BGB	VG1245BL+923BUB
VG1245BN		11.7		VG1245BN+923AGB	VG1245BN+923GGB	VG1245BN+923BGB	VG1245BN+923BUB
VG1245CL	1	7.4 ¹	200	VG1245CL+923AGB	VG1245CL+923GGB	VG1245CL+923BGB	VG1245CL+923BUB
VG1245CN		11.7 ¹		VG1245CN+923AGB	VG1245CN+923GGB	VG1245CN+923BGB	VG1245CN+923BUB
VG1245CP		18.7		VG1245CP+923AGB	VG1245CP+923GGB	VG1245CP+923BGB	VG1245CP+923BUB
Valve	Size, in.	Cv	Closeoff psi	Spring Return Open — Valve Normally Open — Actuators with Two Switches			
				VA9208-AGC-3	VA9208-GGC-3	VA9208-BGC-3	VA9208-BAC-3
VG1245DN	1-1/4	11.7 ¹	200	VG1245DN+938AGC	VG1245DN+938GGC	VG1245DN+938BGC	VG1245DN+938BAC
VG1245DP		18.7 ¹		VG1245DP+938AGC	VG1245DP+938GGC	VG1245DP+938BGC	VG1245DP+938BAC
VG1245DR		29.2		VG1245DR+938AGC	VG1245DR+938GGC	VG1245DR+938BGC	VG1245DR+938BAC
VG1245EP	1-1/2	18.7 ¹	200	VG1245EP+938AGC	VG1245EP+938GGC	VG1245EP+938BGC	VG1245EP+938BAC
VG1245ER		29.2 ¹		VG1245ER+938AGC	VG1245ER+938GGC	VG1245ER+938BGC	VG1245ER+938BAC
VG1245ES		46.8		VG1245ES+938AGC	VG1245ES+938GGC	VG1245ES+938BGC	VG1245ES+938BAC
VG1245FR	2	29.2 ¹	200	VG1245FR+938AGC	VG1245FR+938GGC	VG1245FR+938BGC	VG1245FR+938BAC
VG1245FS		46.8 ¹		VG1245FS+938AGC	VG1245FS+938GGC	VG1245FS+938BGC	VG1245FS+938BAC
VG1245FT		73.7		VG1245FT+938AGC	VG1245FT+938GGC	VG1245FT+938BGC	VG1245FT+938BAC

1. Valve has a characterizing disk.

Table 11: Two-Way Stainless Steel Trim Ball Valves, Spring Return Valve Closed - Valve Normally Closed, VA9203/VA9208 Series Actuators with Switches

Fluid Temperatures: -22 to 212°F (-30 to 100°C) Not Rated for Steam Service				AC 24 V			AC 85–264 V (VA9203) AC 120 V (VA9208)
				Floating	DC 0 to 10 V Proportional	On/Off	On/Off
Valve	Size, in.	Cv	Closeoff psi	Spring Return Closed — Valve Normally Closed — Actuators with One Switch			
				VA9203-AGB-2Z	VA9203-GGB-2Z	VA9203-BGB-2	VA9203-BUB-2
VG1245AD	1/2	1.2 ¹	200	VG1245AD+943AGB	VG1245AD+943GGB	VG1245AD+943BGB	VG1245AD+943BUB
VG1245AE		1.9 ¹		VG1245AE+943AGB	VG1245AE+943GGB	VG1245AE+943BGB	VG1245AE+943BUB
VG1245AF		2.9 ¹		VG1245AF+943AGB	VG1245AF+943GGB	VG1245AF+943BGB	VG1245AF+943BUB
VG1245AG		4.7 ¹		VG1245AG+943AGB	VG1245AG+943GGB	VG1245AG+943BGB	VG1245AG+943BUB
VG1245AL		7.4 ¹		VG1245AL+943AGB	VG1245AL+943GGB	VG1245AL+943BGB	VG1245AL+943BUB
VG1245AN		11.7		VG1245AN+943AGB	VG1245AN+943GGB	VG1245AN+943BGB	VG1245AN+943BUB
VG1245BG	3/4	4.7 ¹	200	VG1245BG+943AGB	VG1245BG+943GGB	VG1245BG+943BGB	VG1245BG+943BUB
VG1245BL		7.4 ¹		VG1245BL+943AGB	VG1245BL+943GGB	VG1245BL+943BGB	VG1245BL+943BUB
VG1245BN		11.7		VG1245BN+943AGB	VG1245BN+943GGB	VG1245BN+943BGB	VG1245BN+943BUB
VG1245CL	1	7.4 ¹	200	VG1245CL+943AGB	VG1245CL+943GGB	VG1245CL+943BGB	VG1245CL+943BUB
VG1245CN		11.7 ¹		VG1245CN+943AGB	VG1245CN+943GGB	VG1245CN+943BGB	VG1245CN+943BUB
VG1245CP		18.7		VG1245CP+943AGB	VG1245CP+943GGB	VG1245CP+943BGB	VG1245CP+943BUB
Valve	Size, in.	Cv	Closeoff psi	Spring Return Closed — Valve Normally Closed — Actuators with Two Switches			
				VA9208-AGC-3	VA9208-GGC-3	VA9208-BGC-3	VA9208-BAC-3
VG1245DN	1-1/4	11.7 ¹	200	VG1245DN+958AGC	VG1245DN+958GGC	VG1245DN+958BGC	VG1245DN+958BAC
VG1245DP		18.7 ¹		VG1245DP+958AGC	VG1245DP+958GGC	VG1245DP+958BGC	VG1245DP+958BAC
VG1245DR		29.2		VG1245DR+958AGC	VG1245DR+958GGC	VG1245DR+958BGC	VG1245DR+958BAC
VG1245EP	1-1/2	18.7 ¹	200	VG1245EP+958AGC	VG1245EP+958GGC	VG1245EP+958BGC	VG1245EP+958BAC
VG1245ER		29.2 ¹		VG1245ER+958AGC	VG1245ER+958GGC	VG1245ER+958BGC	VG1245ER+958BAC
VG1245ES		46.8		VG1245ES+958AGC	VG1245ES+958GGC	VG1245ES+958BGC	VG1245ES+958BAC
VG1245FR	2	29.2 ¹	200	VG1245FR+958AGC	VG1245FR+958GGC	VG1245FR+958BGC	VG1245FR+958BAC
VG1245FS		46.8 ¹		VG1245FS+958AGC	VG1245FS+958GGC	VG1245FS+958BGC	VG1245FS+958BAC
VG1245FT		73.7		VG1245FT+958AGC	VG1245FT+958GGC	VG1245FT+958BGC	VG1245FT+958BAC

1. Valve has a characterizing disk.

Table 12: Two-Way Stainless Steel Trim Ball Valves, Spring Return Valve Open - Valve Normally Open, VA9203/VA9208 Series Actuators with Switches and Optional M9000-561 Thermal Barrier

Fluid Temperatures: -22 to 284°F (-30 to 140°C) Water and 15 psi Saturated Steam				AC 24 V			AC 85–264 V (VA9203) AC 120 V (VA9208)
				Floating	DC 0 to 10 V Proportional	On/Off	On/Off
Valve	Size, in.	Cv	Closeoff psi	Spring Return Open — Valve Normally Open — Actuators with One Switch			
				VA9203-AGB-2Z	VA9203-GGB-2Z	VA9203-BGB-2	VA9203-BUB-2
VG1245AD	1/2	1.2 ¹	200	VG1245ADH923AGB	VG1245ADH923GGB	VG1245ADH923BGB	VG1245ADH923BUB
VG1245AE		1.9 ¹		VG1245AEH923AGB	VG1245AEH923GGB	VG1245AEH923BGB	VG1245AEH923BUB
VG1245AF		2.9 ¹		VG1245AFH923AGB	VG1245AFH923GGB	VG1245AFH923BGB	VG1245AFH923BUB
VG1245AG		4.7 ¹		VG1245AGH923AGB	VG1245AGH923GGB	VG1245AGH923BGB	VG1245AGH923BUB
VG1245AL		7.4 ¹		VG1245ALH923AGB	VG1245ALH923GGB	VG1245ALH923BGB	VG1245ALH923BUB
VG1245AN		11.7		VG1245ANH923AGB	VG1245ANH923GGB	VG1245ANH923BGB	VG1245ANH923BUB
VG1245BG	3/4	4.7 ¹	200	VG1245BGH923AGB	VG1245BGH923GGB	VG1245BGH923BGB	VG1245BGH923BUB
VG1245BL		7.4 ¹		VG1245BLH923AGB	VG1245BLH923GGB	VG1245BLH923BGB	VG1245BLH923BUB
VG1245BN		11.7		VG1245BNH923AGB	VG1245BNH923GGB	VG1245BNH923BGB	VG1245BNH923BUB
VG1245CL	1	7.4 ¹	200	VG1245CLH923AGB	VG1245CLH923GGB	VG1245CLH923BGB	VG1245CLH923BUB
VG1245CN		11.7 ¹		VG1245CNH923AGB	VG1245CNH923GGB	VG1245CNH923BGB	VG1245CNH923BUB
VG1245CP		18.7		VG1245CPH923AGB	VG1245CPH923GGB	VG1245CPH923BGB	VG1245CPH923BUB
Valve	Size, in.	Cv	Closeoff psi	Spring Return Open — Valve Normally Open — Actuators with Two Switches			
				VA9208-AGC-3	VA9208-GGC-3	VA9208-BGC-3	VA9208-BAC-3
VG1245DN	1-1/4	11.7 ¹	200	VG1245DNH938AGC	VG1245DNH938GGC	VG1245DNH938BGC	VG1245DNH938BAC
VG1245DP		18.7 ¹		VG1245DPH938AGC	VG1245DPH938GGC	VG1245DPH938BGC	VG1245DPH938BAC
VG1245DR		29.2		VG1245DRH938AGC	VG1245DRH938GGC	VG1245DRH938BGC	VG1245DRH938BAC
VG1245EP	1-1/2	18.7 ¹	200	VG1245EPH938AGC	VG1245EPH938GGC	VG1245EPH938BGC	VG1245EPH938BAC
VG1245ER		29.2 ¹		VG1245ERH938AGC	VG1245ERH938GGC	VG1245ERH938BGC	VG1245ERH938BAC
VG1245ES		46.8		VG1245ESH938AGC	VG1245ESH938GGC	VG1245ESH938BGC	VG1245ESH938BAC
VG1245FR	2	29.2 ¹	200	VG1245FRH938AGC	VG1245FRH938GGC	VG1245FRH938BGC	VG1245FRH938BAC
VG1245FS		46.8 ¹		VG1245FSH938AGC	VG1245FSH938GGC	VG1245FSH938BGC	VG1245FSH938BAC
VG1245FT		73.7		VG1245FTH938AGC	VG1245FTH938GGC	VG1245FTH938BGC	VG1245FTH938BAC

1. Valve has a characterizing disk.

Table 13: Two-Way Stainless Steel Trim Ball Valves, Spring Return Valve Closed - Valve Normally Closed, VA9203/VA9208 Series Actuators with Switches and Optional M9000-561 Thermal Barrier

Fluid Temperatures: -22 to 284°F (-30 to 140°C) Water and 15 psi Saturated Steam				AC 24 V			AC 85–264 V (VA9203) AC 120 V (VA9208)
				Floating	DC 0 to 10 V Proportional	On/Off	On/Off
Valve	Size, in.	Cv	Closeoff psi	Spring Return Closed — Valve Normally Closed — Actuators with One Switch			
				VA9203-AGB-2Z	VA9203-GGB-2Z	VA9203-BGB-2	VA9203-BUB-2
VG1245AD	1/2	1.2 ¹	200	VG1245ADH943AGB	VG1245ADH943GGB	VG1245ADH943BGB	VG1245ADH943BUB
VG1245AE		1.9 ¹		VG1245AEH943AGB	VG1245AEH943GGB	VG1245AEH943BGB	VG1245AEH943BUB
VG1245AF		2.9 ¹		VG1245AFH943AGB	VG1245AFH943GGB	VG1245AFH943BGB	VG1245AFH943BUB
VG1245AG		4.7 ¹		VG1245AGH943AGB	VG1245AGH943GGB	VG1245AGH943BGB	VG1245AGH943BUB
VG1245AL		7.4 ¹		VG1245ALH943AGB	VG1245ALH943GGB	VG1245ALH943BGB	VG1245ALH943BUB
VG1245AN		11.7		VG1245ANH943AGB	VG1245ANH943GGB	VG1245ANH943BGB	VG1245ANH943BUB
VG1245BG	3/4	4.7 ¹	200	VG1245BGH943AGB	VG1245BGH943GGB	VG1245BGH943BGB	VG1245BGH943BUB
VG1245BL		7.4 ¹		VG1245BLH943AGB	VG1245BLH943GGB	VG1245BLH943BGB	VG1245BLH943BUB
VG1245BN		11.7		VG1245BNH943AGB	VG1245BNH943GGB	VG1245BNH943BGB	VG1245BNH943BUB
VG1245CL	1	7.4 ¹	200	VG1245CLH943AGB	VG1245CLH943GGB	VG1245CLH943BGB	VG1245CLH943BUB
VG1245CN		11.7 ¹		VG1245CNH943AGB	VG1245CNH943GGB	VG1245CNH943BGB	VG1245CNH943BUB
VG1245CP		18.7		VG1245CPH943AGB	VG1245CPH943GGB	VG1245CPH943BGB	VG1245CPH943BUB
Valve	Size, in.	Cv	Closeoff psi	Spring Return Closed — Valve Normally Closed — Actuators with Two Switches			
				VA9208-AGC-3	VA9208-GGC-3	VA9208-BGC-3	VA9208-BAC-3
VG1245DN	1-1/4	11.7 ¹	200	VG1245DNH958AGC	VG1245DNH958GGC	VG1245DNH958BGC	VG1245DNH958BAC
VG1245DP		18.7 ¹		VG1245DPH958AGC	VG1245DPH958GGC	VG1245DPH958BGC	VG1245DPH958BAC
VG1245DR		29.2		VG1245DRH958AGC	VG1245DRH958GGC	VG1245DRH958BGC	VG1245DRH958BAC
VG1245EP	1-1/2	18.7 ¹	200	VG1245EPH958AGC	VG1245EPH958GGC	VG1245EPH958BGC	VG1245EPH958BAC
VG1245ER		29.2 ¹		VG1245ERH958AGC	VG1245ERH958GGC	VG1245ERH958BGC	VG1245ERH958BAC
VG1245ES		46.8		VG1245ESH958AGC	VG1245ESH958GGC	VG1245ESH958BGC	VG1245ESH958BAC
VG1245FR	2	29.2 ¹	200	VG1245FRH958AGC	VG1245FRH958GGC	VG1245FRH958BGC	VG1245FRH958BAC
VG1245FS		46.8 ¹		VG1245FSH958AGC	VG1245FSH958GGC	VG1245FSH958BGC	VG1245FSH958BAC
VG1245FT		73.7		VG1245FTH958AGC	VG1245FTH958GGC	VG1245FTH958BGC	VG1245FTH958BAC

1. Valve has a characterizing disk.

Table 14: Two-way Stainless Steel Trim Ball Valves, Spring Return Value Open - Valve Normally Open, VA9203/VA9208 Series Actuators without Switches

Fluid Temperatures: -22 to 212°F (-30 to 100°C) Not Rated for Steam Service				AC 24 V			AC 85-264 V (VA9203) AC 120 V (VA9208)
				Floating	DC 0 to 10 V Proportional	On/Off	On/Off
Valve	Size, in.	Cv	Closeoff psi	Spring Return Open - Valve Normally Open - Actuators without Switches			
				VA9203-AGA-2Z	VA9203-GGA-2Z	VA9203-BGA-2	VA9203-BUA-2
VG1245AD	1/2	1.2 ¹	200	VG1245AD+923AGA	VG1245AD+923GGA	VG1245AD+923BGA	VG1245AD+923BUA
VG1245AE		1.9 ¹		VG1245AE+923AGA	VG1245AE+923GGA	VG1245AE+923BGA	VG1245AE+923BUA
VG1245AF		2.9 ¹		VG1245AF+923AGA	VG1245AF+923GGA	VG1245AF+923BGA	VG1245AF+923BUA
VG1245AG		4.7 ¹		VG1245AG+923AGA	VG1245AG+923GGA	VG1245AG+923BGA	VG1245AG+923BUA
VG1245AL		7.4 ¹		VG1245AL+923AGA	VG1245AL+923GGA	VG1245AL+923BGA	VG1245AL+923BUA
VG1245AN		11.7		VG1245AN+923AGA	VG1245AN+923GGA	VG1245AN+923BGA	VG1245AN+923BUA
VG1245BG	3/4	4.7 ¹	200	VG1245BG+923AGA	VG1245BG+923GGA	VG1245BG+923BGA	VG1245BG+923BUA
VG1245BL		7.4 ¹		VG1245BL+923AGA	VG1245BL+923GGA	VG1245BL+923BGA	VG1245BL+923BUA
VG1245BN		11.7		VG1245BN+923AGA	VG1245BN+923GGA	VG1245BN+923BGA	VG1245BN+923BUA
VG1245CL	1	7.4 ¹	200	VG1245CL+923AGA	VG1245CL+923GGA	VG1245CL+923BGA	VG1245CL+923BUA
VG1245CN		11.7 ¹		VG1245CN+923AGA	VG1245CN+923GGA	VG1245CN+923BGA	VG1245CN+923BUA
VG1245CP		18.7		VG1245CP+923AGA	VG1245CP+923GGA	VG1245CP+923BGA	VG1245CP+923BUA
Valve	Size, in.	Cv	Closeoff psi	Spring Return Open - Valve Normally Open - Actuators without Switches			
				VA9208-AGA-2	VA9208-GGA-2	VA9208-BGA-3	VA9208-BAA-3
VG1245DN	1-1/4	11.7 ¹	200	VG1245DN+928AGA	VG1245DN+928GGA	VG1245DN+938BGA	VG1245DN+938BAA
VG1245DP		18.7 ¹		VG1245DP+928AGA	VG1245DP+928GGA	VG1245DP+938BGA	VG1245DP+938BAA
VG1245DR		29.2		VG1245DR+928AGA	VG1245DR+928GGA	VG1245DR+938BGA	VG1245DR+938BAA
VG1245EP	1-1/2	18.7 ¹	200	VG1245EP+928AGA	VG1245EP+928GGA	VG1245EP+938BGA	VG1245EP+938BAA
VG1245ER		29.2 ¹		VG1245ER+928AGA	VG1245ER+928GGA	VG1245ER+938BGA	VG1245ER+938BAA
VG1245ES		46.8		VG1245ES+928AGA	VG1245ES+928GGA	VG1245ES+938BGA	VG1245ES+938BAA
VG1245FR	2	29.2 ¹	200	VG1245FR+928AGA	VG1245FR+928GGA	VG1245FR+938BGA	VG1245FR+938BAA
VG1245FS		46.8 ¹		VG1245FS+928AGA	VG1245FS+928GGA	VG1245FS+938BGA	VG1245FS+938BAA
VG1245FT		73.7		VG1245FT+928AGA	VG1245FT+928GGA	VG1245FT+938BGA	VG1245FT+938BAA

1. Valve has a characterizing disk.

Table 15: Two-Way Stainless Steel Trim Ball Valves, Spring Return Valve Closed - Valve Normally Closed, VA9203/VA9208 Series Actuators without Switches

Fluid Temperatures: -22 to 212°F (-30 to 100°C) Not Rated for Steam Service				AC 24 V			AC 85-264 V (VA9203) AC 120 V (VA9208)
				Floating	DC 0 to 10 V Proportional	On/Off	On/Off
Valve	Size, in.	Cv	Closeoff psi	Spring Return Closed- Valve Normally Closed - Actuators without Switches			
				VA9203-AGA-2Z	VA9203-GGA-2Z	VA9203-BGA-2	VA9203-BUA-2
VG1245AD	1/2	1.2 ¹	200	VG1245AD+943AGA	VG1245AD+943GGA	VG1245AD+943BGA	VG1245AD+943BUA
VG1245AE		1.9 ¹		VG1245AE+943AGA	VG1245AE+943GGA	VG1245AE+943BGA	VG1245AE+943BUA
VG1245AF		2.9 ¹		VG1245AF+943AGA	VG1245AF+943GGA	VG1245AF+943BGA	VG1245AF+943BUA
VG1245AG		4.7 ¹		VG1245AG+943AGA	VG1245AG+943GGA	VG1245AG+943BGA	VG1245AG+943BUA
VG1245AL		7.4 ¹		VG1245AL+943AGA	VG1245AL+943GGA	VG1245AL+943BGA	VG1245AL+943BUA
VG1245AN		11.7		VG1245AN+943AGA	VG1245AN+943GGA	VG1245AN+943BGA	VG1245AN+943BUA
VG1245BG	3/4	4.7 ¹	200	VG1245BG+943AGA	VG1245BG+943GGA	VG1245BG+943BGA	VG1245BG+943BUA
VG1245BL		7.4 ¹		VG1245BL+943AGA	VG1245BL+943GGA	VG1245BL+943BGA	VG1245BL+943BUA
VG1245BN		11.7		VG1245BN+943AGA	VG1245BN+943GGA	VG1245BN+943BGA	VG1245BN+943BUA
VG1245CL	1	7.4 ¹	200	VG1245CL+943AGA	VG1245CL+943GGA	VG1245CL+943BGA	VG1245CL+943BUA
VG1245CN		11.7 ¹		VG1245CN+943AGA	VG1245CN+943GGA	VG1245CN+943BGA	VG1245CN+943BUA
VG1245CP		18.7		VG1245CP+943AGA	VG1245CP+943GGA	VG1245CP+943BGA	VG1245CP+943BUA
Valve	Size, in.	Cv	Closeoff psi	Spring Return Closed - Valve Normally Closed - Actuators without Switches			
				VA9208-AGA-2	VA9208-GGA-2	VA9208-BGA-3	VA9208-BAA-3
VG1245DN	1-1/4	11.7 ¹	200	VG1245DN+948AGA	VG1245DN+948GGA	VG1245DN+958BGA	VG1245DN+958BAA
VG1245DP		18.7 ¹		VG1245DP+948AGA	VG1245DP+948GGA	VG1245DP+958BGA	VG1245DP+958BAA
VG1245DR		29.2		VG1245DR+948AGA	VG1245DR+948GGA	VG1245DR+958BGA	VG1245DR+958BAA
VG1245EP	1-1/2	18.7 ¹	200	VG1245EP+948AGA	VG1245EP+948GGA	VG1245EP+958BGA	VG1245EP+958BAA
VG1245ER		29.2 ¹		VG1245ER+948AGA	VG1245ER+948GGA	VG1245ER+958BGA	VG1245ER+958BAA
VG1245ES		46.8		VG1245ES+948AGA	VG1245ES+948GGA	VG1245ES+958BGA	VG1245ES+958BAA
VG1245FR	2	29.2 ¹	200	VG1245FR+948AGA	VG1245FR+948GGA	VG1245FR+958BGA	VG1245FR+958BAA
VG1245FS		46.8 ¹		VG1245FS+948AGA	VG1245FS+948GGA	VG1245FS+958BGA	VG1245FS+958BAA
VG1245FT		73.7		VG1245FT+948AGA	VG1245FT+948GGA	VG1245FT+958BGA	VG1245FT+958BAA

1. Valve has a characterizing disk.

Table 16: Two-Way Stainless Steel Trim Ball Valves, Spring Return Open - Valve Normally Open, VA9203/VA9208 Series Actuators without Switches with Optional M9000-561 Thermal Barrier

Fluid Temperatures: -22 to 284°F (-30 to 140°C) Water and 15 psi Saturated Steam				AC 24 V			AC 85-264 V (VA9203) AC 120 V (VA9208)
				Floating	DC 0 to 10 V Proportional	On/Off	On/Off
Valve	Size, in.	Cv	Closeoff psi	Spring Return Open - Valve Normally Open - Actuators without Switches			
				VA9203-AGA-2Z	VA9203-GGA-2Z	VA9203-BGA-2	VA9203-BUA-2
VG1245AD	1/2	1.2 ¹	200	VG1245ADH923AGA	VG1245ADH923GGA	VG1245ADH923BGA	VG1245ADH923BUA
VG1245AE		1.9 ¹		VG1245AEH923AGA	VG1245AEH923GGA	VG1245AEH923BGA	VG1245AEH923BUA
VG1245AF		2.9 ¹		VG1245AFH923AGA	VG1245AFH923GGA	VG1245AFH923BGA	VG1245AFH923BUA
VG1245AG		4.7 ¹		VG1245AGH923AGA	VG1245AGH923GGA	VG1245AGH923BGA	VG1245AGH923BUA
VG1245AL		7.4 ¹		VG1245ALH923AGA	VG1245ALH923GGA	VG1245ALH923BGA	VG1245ALH923BUA
VG1245AN		11.7		VG1245ANH923AGA	VG1245ANH923GGA	VG1245ANH923BGA	VG1245ANH923BUA
VG1245BG		3/4		4.7 ¹	200	VG1245BGH923AGA	VG1245BGH923GGA
VG1245BL	7.4 ¹		VG1245BLH923AGA	VG1245BLH923GGA		VG1245BLH923BGA	VG1245BLH923BUA
VG1245BN	11.7		VG1245BNH923AGA	VG1245BNH923GGA		VG1245BNH923BGA	VG1245BNH923BUA
VG1245CL	1	7.4 ¹	200	VG1245CLH923AGA	VG1245CLH923GGA	VG1245CLH923BGA	VG1245CLH923BUA
VG1245CN		11.7 ¹		VG1245CNH923AGA	VG1245CNH923GGA	VG1245CNH923BGA	VG1245CNH923BUA
VG1245CP		18.7		VG1245CPH923AGA	VG1245CPH923GGA	VG1245CPH923BGA	VG1245CPH923BUA
Valve	Size, in.	Cv	Closeoff psi	Spring Return Open - Valve Normally Open - Actuators without Switches			
				VA9208-AGA-2	VA9208-GGA-2	VA9208-BGA-3	VA9208-BAA-3
VG1245DN	1-1/4	11.7 ¹	200	VG1245DNH928AGA	VG1245DNH928GGA	VG1245DNH938BGA	VG1245DNH938BAA
VG1245DP		18.7 ¹		VG1245DPH928AGA	VG1245DPH928GGA	VG1245DPH938BGA	VG1245DPH938BAA
VG1245DR		29.2		VG1245DRH928AGA	VG1245DRH928GGA	VG1245DRH938BGA	VG1245DRH938BAA
VG1245EP	1-1/2	18.7 ¹	200	VG1245EPH928AGA	VG1245EPH928GGA	VG1245EPH938BGA	VG1245EPH938BAA
VG1245ER		29.2 ¹		VG1245ERH928AGA	VG1245ERH928GGA	VG1245ERH938BGA	VG1245ERH938BAA
VG1245ES		46.8		VG1245ESH928AGA	VG1245ESH928GGA	VG1245ESH938BGA	VG1245ESH938BAA
VG1245FR	2	29.2 ¹	200	VG1245FRH928AGA	VG1245FRH928GGA	VG1245FRH938BGA	VG1245FRH938BAA
VG1245FS		46.8 ¹		VG1245FSH928AGA	VG1245FSH928GGA	VG1245FSH938BGA	VG1245FSH938BAA
VG1245FT		73.7		VG1245FTH928AGA	VG1245FTH928GGA	VG1245FTH938BGA	VG1245FTH938BAA

1. Valve has a characterizing disk.

Table 17: Two-Way Stainless Steel Trim Ball Valves, Spring Return Valve Closed - Valve Normally Closed, VA9203/VA9208 Series without Switches with Optional M9000-561 Thermal Barrier

Fluid Temperatures: -22 to 284°F (-30 to 140°C) Water and 15 psi Saturated Steam				AC 24 V			AC 85-264 V (VA9203) AC 120 V (VA9208)
				Floating	DC 0 to 10 V Proportional	On/Off	On/Off
Valve	Size, in.	Cv	Closeoff psi	Spring Return Closed - Valve Normally Closed - Actuators without Switches			
				VA9203-AGA-2Z	VA9203-GGA-2Z	VA9203-BGA-2	VA9203-BUA-2
VG1245AD	1/2	1.2 ¹	200	VG1245ADH943AGA	VG1245ADH943GGA	VG1245ADH943BGA	VG1245ADH943BUA
VG1245AE		1.9 ¹		VG1245AEH943AGA	VG1245AEH943GGA	VG1245AEH943BGA	VG1245AEH943BUA
VG1245AF		2.9 ¹		VG1245AFH932AGA	VG1245AFH943GGA	VG1245AFH943BGA	VG1245AFH943BUA
VG1245AG		4.7 ¹		VG1245AGH943AGA	VG1245AGH943GGA	VG1245AGH943BGA	VG1245AGH943BUA
VG1245AL		7.4 ¹		VG1245ALH943AGA	VG1245ALH943GGA	VG1245ALH943BGA	VG1245ALH943BUA
VG1245AN		11.7		VG1245ANH943AGA	VG1245ANH943GGA	VG1245ANH943BGA	VG1245ANH943BUA
VG1245BG	3/4	4.7 ¹	200	VG1245BGH943AGA	VG1245BGH943GGA	VG1245BGH943BGA	VG1245BGH943BUA
VG1245BL		7.4 ¹		VG1245BLH943AGA	VG1245BLH943GGA	VG1245BLH943BGA	VG1245BLH943BUA
VG1245BN		11.7		VG1245BNH943AGA	VG1245BNH943GGA	VG1245BNH943BGA	VG1245BNH943BUA
VG1245CL	1	7.4 ¹	200	VG1245CLH943AGA	VG1245CLH943GGA	VG1245CLH943BGA	VG1245CLH943BUA
VG1245CN		11.7 ¹		VG1245CNH943AGA	VG1245CNH943GGA	VG1245CNH943BGA	VG1245CNH943BUA
VG1245CP		18.7		VG1245CPH943AGA	VG1245CPH943GGA	VG1245CPH943BGA	VG1245CPH943BUA
Valve	Size, in.	Cv	Closeoff psi	Spring Return Closed - Valve Normally Closed - Actuators without Switches			
				VA9208-AGA-2	VA9208-GGA-2	VA9208-BGA-3	VA9208-BAA-3
VG1245DN	1-1/4	11.7 ¹	200	VG1245DNH948AGA	VG1245DNH948GGA	VG1245DNH958BGA	VG1245DNH958BAA
VG1245DP		18.7 ¹		VG1245DPH948AGA	VG1245DPH948GGA	VG1245DPH958BGA	VG1245DPH958BAA
VG1245DR		29.2		VG1245DRH948AGA	VG1245DRH948GGA	VG1245DRH958BGA	VG1245DRH958BAA
VG1245EP	1-1/2	18.7 ¹	200	VG1245EPH948AGA	VG1245EPH948GGA	VG1245EPH958BGA	VG1245EPH958BAA
VG1245ER		29.2 ¹		VG1245ERH948AGA	VG1245ERH948GGA	VG1245ERH958BGA	VG1245ERH958BAA
VG1245ES		46.8		VG1245ESH948AGA	VG1245ESH948GGA	VG1245ESH958BGA	VG1245ESH958BAA
VG1245FR	2	29.2 ¹	200	VG1245FRH948AGA	VG1245FRH948GGA	VG1245FRH958BGA	VG1245FRH958BAA
VG1245FS		46.8 ¹		VG1245FSH948AGA	VG1245FSH948GGA	VG1245FSH958BGA	VG1245FSH958BAA
VG1245FT		73.7		VG1245FTH948AGA	VG1245FTH948GGA	VG1245FTH958BGA	VG1245FTH958BAA

1. Valve has a characterizing disk.

Table 18: Three-Way Stainless Steel Trim Ball Valves, Non-Spring Return, VA9104 Series Electric Actuators without Switches

Fluid Temperature: -22 to 212°F (-30 to 100°C) Not Rated for Steam Service				AC 24 V		
				On/Off (Floating) without Timeout ¹	On/Off (Floating) with Timeout	DC 0 to 10 V Proportional
Valve	Size, in.	Cv (Port A/B)	Closeoff psi			
Actuators with M3 Screw Terminals				VA9104-AGA-3S	VA9104-IGA-3S	VA9104-GGA-3S
VG1845AD	1/2	1.2/0.7 ²	200	VG1845AD+9T4AGA	VG1845AD+9T4IGA	VG1845AD+9T4GGA
VG1845AE		1.9/1.2 ²		VG1845AE+9T4AGA	VG1845AE+9T4IGA	VG1845AE+9T4GGA
VG1845AF		2.9/1.9 ²		VG1845AF+9T4AGA	VG1845AF+9T4IGA	VG1845AF+9T4GGA
VG1845AG		4.7/2.9 ²		VG1845AG+9T4AGA	VG1845AG+9T4IGA	VG1845AG+9T4GGA
VG1845AL		7.4/4.7 ²		VG1845AL+9T4AGA	VG1845AL+9T4IGA	VG1845AL+9T4GGA
VG1845AN		11.7/5.8		VG1845AN+9T4AGA	VG1845AN+9T4IGA	VG1845AN+9T4GGA
VG1845BG	3/4	4.7/2.9 ²	200	VG1845BG+9T4AGA	VG1845BG+9T4IGA	VG1845BG+9T4GGA
VG1845BL		7.4/4.7 ²		VG1845BL+9T4AGA	VG1845BL+9T4IGA	VG1845BL+9T4GGA
VG1845BN		11.7/5.8		VG1845BN+9T4AGA	VG1845BN+9T4IGA	VG1845BN+9T4GGA
VG1845CL	1	7.4/4.7 ²	200	VG1845CL+9T4AGA	VG1845CL+9T4IGA	VG1845CL+9T4GGA
VG1845CN		11.7/7.4 ²		VG1845CN+9T4AGA	VG1845CN+9T4IGA	VG1845CN+9T4GGA
VG1845CP		18.7/9.4		VG1845CP+9T4AGA	VG1845CP+9T4IGA	VG1845CP+9T4GGA
Actuators with 120 in. (3.05 m) 19 AWG Plenum Cable				VA9104-AGA-2S	VA9104-IGA-2S	VA9104-GGA-2S
VG1845AD	1/2	1.2/0.7 ²	200	VG1845AD+9A4AGA	VG1845AD+9A4IGA	VG1845AD+9A4GGA
VG1845AE		1.9/1.2 ²		VG1845AE+9A4AGA	VG1845AE+9A4IGA	VG1845AE+9A4GGA
VG1845AF		2.9/1.9 ²		VG1845AF+9A4AGA	VG1845AF+9A4IGA	VG1845AF+9A4GGA
VG1845AG		4.7/2.9 ²		VG1845AG+9A4AGA	VG1845AG+9A4IGA	VG1845AG+9A4GGA
VG1845AL		7.4/4.7 ²		VG1845AL+9A4AGA	VG1845AL+9A4IGA	VG1845AL+9A4GGA
VG1845AN		11.7/5.8		VG1845AN+9A4AGA	VG1845AN+9A4IGA	VG1845AN+9A4GGA
VG1845BG	3/4	4.7/2.9 ²	200	VG1845BG+9A4AGA	VG1845BG+9A4IGA	VG1845BG+9A4GGA
VG1845BL		7.4/4.7 ²		VG1845BL+9A4AGA	VG1845BL+9A4IGA	VG1845BL+9A4GGA
VG1845BN		11.7/5.8		VG1845BN+9A4AGA	VG1845BN+9A4IGA	VG1845BN+9A4GGA
VG1845CL	1	7.4/4.7 ²	200	VG1845CL+9A4AGA	VG1845CL+9A4IGA	VG1845CL+9A4GGA
VG1845CN		11.7/7.4 ²		VG1845CN+9A4AGA	VG1845CN+9A4IGA	VG1845CN+9A4GGA
VG1845CP		18.7/9.4		VG1845CP+9A4AGA	VG1845CP+9A4IGA	VG1845CP+9A4GGA

1. To avoid excessive wear or drive time on the motor for the AGA models, use a controller or software that provides a timeout function to remove the signal at the end of rotation (stall).
2. Valve has a characterizing disk.

Table 19: Three-Way Stainless Steel Trim Ball Valves, Non-Spring Return, VA9104 Series Electric Actuators without Switches with M9000-561 Thermal Barrier Installed

Fluid Temperature: -22 to 284°F (-30 to 140°C) Water and 15 pi Saturated Steam				AC 24 V		
				On/Off (Floating) without Timeout ¹	On/Off (Floating) with Timeout	DC 0 to 10 V Proportional
Valve	Size, in.	Cv (Port A/B)	Closeoff psi			
Actuators with M3 Screw Terminals with M9000-561 Thermal Barrier Installed				VA9104-AGA-3S	VA9104-IGA-3S	VA9104-GGA-3S
VG1845AD	1/2	1.2/0.7 ²	200	VG1845ADH9T4AGA	VG1845ADH9T4IGA	VG1845ADH9T4GGA
VG1845AE		1.9/1.2 ²		VG1845AEH9T4AGA	VG1845AEH9T4IGA	VG1845AEH9T4GGA
VG1845AF		2.9/1.9 ²		VG1845AFH9T4AGA	VG1845AFH9T4IGA	VG1845AFH9T4GGA
VG1845AG		4.7/2.9 ²		VG1845AGH9T4AGA	VG1845AGH9T4IGA	VG1845AGH9T4GGA
VG1845AL		7.4/4.7 ²		VG1845ALH9T4AGA	VG1845ALH9T4IGA	VG1845ALH9T4GGA
VG1845AN		11.7/5.8		VG1845ANH9T4AGA	VG1845ANH9T4IGA	VG1845ANH9T4GGA
VG1845BG	3/4	4.7/2.9 ²	200	VG1845BGH9T4AGA	VG1845BGH9T4IGA	VG1845BGH9T4GGA
VG1845BL		7.4/4.7 ²		VG1845BLH9T4AGA	VG1845BLH9T4IGA	VG1845BLH9T4GGA
VG1845BN		11.7/5.8		VG1845BNH9T4AGA	VG1845BNH9T4IGA	VG1845BNH9T4GGA
VG1845CL	1	7.4/4.7 ²	200	VG1845CLH9T4AGA	VG1845CLH9T4IGA	VG1845CLH9T4GGA
VG1845CN		11.7/7.4 ²		VG1845CNH9T4AGA	VG1845CNH9T4IGA	VG1845CNH9T4GGA
VG1845CP		18.7/9.4		VG1845CPH9T4AGA	VG1845CPH9T4IGA	VG1845CPH9T4GGA
Actuators with 120 in. (3.05 m) 19 AWG Plenum Cable with M9000-561 Thermal Barrier Installed				VA9104-AGA-2S	VA9104-IGA-2S	VA9104-GGA-2S
VG1845AD	1/2	1.2/0.7 ²	200	VG1845ADH9A4AGA	VG1845ADH9A4IGA	VG1845ADH9A4GGA
VG1845AE		1.9/1.2 ²		VG1845AEH9A4AGA	VG1845AEH9A4IGA	VG1845AEH9A4GGA
VG1845AF		2.9/1.9 ²		VG1845AFH9A4AGA	VG1845AFH9A4IGA	VG1845AFH9A4GGA
VG1845AG		4.7/2.9 ²		VG1845AGH9A4AGA	VG1845AGH9A4IGA	VG1845AGH9A4GGA
VG1845AL		7.4/4.7 ²		VG1845ALH9A4AGA	VG1845ALH9A4IGA	VG1845ALH9A4GGA
VG1845AN		11.7/5.8		VG1845ANH9A4AGA	VG1845ANH9A4IGA	VG1845ANH9A4GGA
VG1845BG	3/4	4.7/2.9 ²	200	VG1845BGH9A4AGA	VG1845BGH9A4IGA	VG1845BGH9A4GGA
VG1845BL		7.4/4.7 ²		VG1845BLH9A4AGA	VG1845BLH9A4IGA	VG1845BLH9A4GGA
VG1845BN		11.7/5.8		VG1845BNH9A4AGA	VG1845BNH9A4IGA	VG1845BNH9A4GGA
VG1845CL	1	7.4/4.7 ²	200	VG1845CLH9A4AGA	VG1845CLH9A4IGA	VG1845CLH9A4GGA
VG1845CN		11.7/7.4 ²		VG1845CNH9A4AGA	VG1845CNH9A4IGA	VG1845CNH9A4GGA
VG1845CP		18.7/9.4		VG1845CPH9A4AGA	VG1845CPH9A4IGA	VG1845CPH9A4GGA

1. To avoid excessive wear or drive time on the motor for the AGA models, use a controller or software that provides a timeout function to remove the signal at the end of rotation (stall).
2. Valve has a characterizing disk.

Table 20: Three-Way Stainless Steel Trim Ball Valves, Non-Spring Return, VA9300 Series Electric Actuators without Switches

Fluid Temperatures: -22 to 212°F (-30 to 100°C) Not Rated for Steam Service				AC/DC 24 V		
				On/Off	Floating	DC 0(2) to 10 V Proportional
Valve	Size, in.	Cv	Closeoff psi	VA9310-HGA-2		
VG1845DN	1-1/4	11.7 ¹	200	VG1845DN+910HGA		
VG1845DP		18.7 ¹		VG1845DP+910HGA		
VG1845DR		29.2		VG1845DR+910HGA		
VG1845EP	1-1/2	18.7 ¹	200	VG1845EP+910HGA		
VG1845ER		29.2 ¹		VG1845ER+910HGA		
VG1845ES		46.8		VG1845ES+910HGA		
VG1845FR	2	29.2 ¹	200	VG1845FR+910HGA		
VG1845FS		48.8 ¹		VG1845FS+910HGA		
VG1845FT		73.7		VG1845FT+910HGA		

1. Valve has a characterizing disk.

Table 21: Three-Way Stainless Steel Trim Ball Valves, Non-Spring Return, VA9300 Series Electric Actuators with Switches

Fluid Temperatures: -22 to 212°F (-30 to 100°C) Not Rated for Steam Service				AC/DC 24 V		
				On/Off	Floating	DC 0(2) to 10 V Proportional
Valve	Size, in.	Cv	Closeoff psi	VA9310-HGA-2 actuator with M9300-2 Switch Kit ¹		
VG1845AD	1/2	1.2 ²	200	VG1845AD+910HGC		
VG1845AE		1.9 ²		VG1845AE+910HGC		
VG1845AF		2.9 ²		VG1845AF+910HGC		
VG1845AG		4.7 ²		VG1845AG+910HGC		
VG1845AL		7.4 ²		VG1845AL+910HGC		
VG1845AN		11.7		VG1845AN+910HGC		
VG1845BG	3/4	4.7 ²	200	VG1845BG+910HGC		
VG1845BL		7.4 ²		VG1845BL+910HGC		
VG1845BN		11.7		VG1845BN+910HGC		
VG1845CL	1	7.4 ²	200	VG1845CL+910HGC		
VG1845CN		11.7 ²		VG1845CN+910HGC		
VG1845CP		18.7		VG1845CP+910HGC		
VG1845DN	1-1/4	11.7 ²	200	VG1845DN+910HGC		
VG1845DP		18.7 ²		VG1845DP+910HGC		
VG1845DR		29.2		VG1845DR+910HGC		
VG1845EP	1-1/2	18.7 ²	200	VG1845EP+910HGC		
VG1845ER		29.2 ²		VG1845ER+910HGC		
VG1845ES		46.8		VG1845ES+910HGC		
VG1845FR	2	29.2 ²	200	VG1845FR+910HGC		
VG1845FS		46.8 ²		VG1845FS+910HGC		
VG1845FT		73.7		VG1845FT+910HGC		

1. For field mounting order VA9310-HGA-2 and the M9300-2 Switch Kit separately.
2. Valve has a characterizing disk.

Table 22: Three-Way Stainless Steel Trim Ball Valves, Non-Spring Return, VA9300 Series Actuators without Switches with Optional M9000-561 Thermal Barrier

Fluid Temperatures: -22 to 284°F (-30 to 140°C) Water and 15 psi Saturated Steam				AC/DC 24 V		
				On/Off	Floating	DC 0(2) to 10 V Proportional
Valve	Size, in.	Cv	Closeoff psi	VA9310-HGA-2 with M9000-561 Thermal Barrier		
VG1845DN	1-1/4	11.7 ¹	200	VG1845DNH910HGA		
VG1845DP		18.7 ¹		VG1845DPH910HGA		
VG1845DR		29.2		VG1845DRH910HGA		
VG1845EP	1-1/2	18.7 ¹	200	VG1845EPH910HGA		
VG1845ER		29.2 ¹		VG1845ERH910HGA		
VG1845ES		46.8		VG1845ESH910HGA		
VG1845FR	2	29.2 ¹	200	VG1845FRH910HGA		
VG1845FS		48.8 ¹		VG1845FSH910HGA		
VG1845FT		73.7		VG1845FTH910HGA		

1. Valve has a characterizing disk.

Table 23: Three-Way Stainless Steel Trim Ball Valves, Non-Spring Return, VA9300 Series Electric Actuators with Switches with Optional M9000-561 Thermal Barrier

Fluid Temperatures: -22 to 284°F (-30 to 140°C) Water and 15 psi Saturated Steam				AC/DC 24 V		
				On/Off	Floating	DC 0(2) to 10 V Proportional
Valve	Size, in.	Cv	Closeoff psi	VA9310-HGA-2 actuator with M9300-2 Switch Kit and M9000-561 Thermal Barrier ¹		
VG1845AD	1/2	1.2 ²	200	VG1845ADH910HGC		
VG1845AE		1.9 ²		VG1845AEH910HGC		
VG1845AF		2.9 ²		VG1845AFH910HGC		
VG1845AG		4.7 ²		VG1845AGH910HGC		
VG1845AL		7.4 ²		VG1845ALH910HGC		
VG1845AN		11.7		VG1845ANH910HGC		
VG1845BG	3/4	4.7 ²	200	VG1845BGH910HGC		
VG1845BL		7.4 ²		VG1845BLH910HGC		
VG1845BN		11.7		VG1845BNH910HGC		
VG1845CL	1	7.4 ²	200	VG1845CLH910HGC		
VG1845CN		11.7 ²		VG1845CNH910HGC		
VG1845CP		18.7		VG1845CPH910HGC		
VG1845DN	1-1/4	11.7 ²	200	VG1845DNH910HGC		
VG1845DP		18.7 ²		VG1845DPH910HGC		
VG1845DR		29.2		VG1845DRH910HGC		
VG1845EP	1-1/2	18.7 ²	200	VG1845EPH910HGC		
VG1845ER		29.2 ²		VG1845ERH910HGC		
VG1845ES		46.8		VG1845ESH910HGC		
VG1845FR	2	29.2 ²	200	VG1845FRH910HGC		
VG1845FS		46.8 ²		VG1845FSH910HGC		
VG1845FT		73.7		VG1845FTH910HGC		

1. For field mounting order VA9310-HGA-2, M9300-2 Switch Kit and M9000-561 Thermal Barrier separately.
2. Valve has a characterizing disk.

Table 24: Three-Way Stainless Steel Trim Ball Valves, Spring Return Counterclockwise - Port A (Coil) Open, VA9203/VA9208 Series Actuators with Switches

Fluid Temperatures: -22 to 212°F (-30 to 100°C) Not Rated for Steam Service				AC 24 V			AC 85–264 V (VA9203) AC 120 V (VA9208)
				Floating	DC 0 to 10 V Proportional	On/Off	On/Off
Valve	Size, in.	Cv (Port A/B)	Closeoff psi	Spring Return Port A Open — Valve Spring Return Counterclockwise — Actuator with One Switch			
				VA9203-AGB-2Z	VA9203-GGB-2Z	VA9203-BGB-2	VA9203-BUB-2
VG1845AD	1/2	1.2/0.7 ¹	200	VG1845AD+923AGB	VG1845AD+923GGB	VG1845AD+923BGB	VG1845AD+923BUB
VG1845AE		1.9/1.2 ¹		VG1845AE+923AGB	VG1845AE+923GGB	VG1845AE+923BGB	VG1845AE+923BUB
VG1845AF		2.9/1.9 ¹		VG1845AF+923AGB	VG1845AF+923GGB	VG1845AF+923BGB	VG1845AF+923BUB
VG1845AG		4.7/2.9 ¹		VG1845AG+923AGB	VG1845AG+923GGB	VG1845AG+923BGB	VG1845AG+923BUB
VG1845AL		7.4/4.7 ¹		VG1845AL+923AGB	VG1845AL+923GGB	VG1845AL+923BGB	VG1845AL+923BUB
VG1845AN		11.7/5.8		VG1845AN+923AGB	VG1845AN+923GGB	VG1845AN+923BGB	VG1845AN+923BUB
VG1845BG	3/4	4.7/2.9 ¹	200	VG1845BG+923AGB	VG1845BG+923GGB	VG1845BG+923BGB	VG1845BG+923BUB
VG1845BL		7.4/4.7 ¹		VG1845BL+923AGB	VG1845BL+923GGB	VG1845BL+923BGB	VG1845BL+923BUB
VG1845BN		11.7/5.8		VG1845BN+923AGB	VG1845BN+923GGB	VG1845BN+923BGB	VG1845BN+923BUB
VG1845CL	1	7.4/4.7 ¹	200	VG1845CL+923AGB	VG1845CL+923GGB	VG1845CL+923BGB	VG1845CL+923BUB
VG1845CN		11.7/7.4 ¹		VG1845CN+923AGB	VG1845CN+923GGB	VG1845CN+923BGB	VG1845CN+923BUB
VG1845CP		18.7/9.4		VG1845CP+923AGB	VG1845CP+923GGB	VG1845CP+923BGB	VG1845CP+923BUB
Valve	Size, in.	Cv (Port A/B)	Closeoff psi	Spring Return Port A Open — Valve Spring Return Counterclockwise — Actuator with Two Switches			
				VA9208-AGC-3	VA9208-GGC-3	VA9208-BGC-3	VA9208-BAC-3
VG1845DN	1-1/4	11.7/7.4 ¹	200	VG1845DN+938AGC	VG1845DN+938GGC	VG1845DN+938BGC	VG1845DN+938BAC
VG1845DP		18.7/11.7 ¹		VG1845DP+938AGC	VG1845DP+938GGC	VG1845DP+938BGC	VG1845DP+938BAC
VG1845DR		29.2/14.6		VG1845DR+938AGC	VG1845DR+938GGC	VG1845DR+938BGC	VG1845DR+938BAC
VG1845EP	1-1/2	18.7/11.7 ¹	200	VG1845EP+938AGC	VG1845EP+938GGC	VG1845EP+938BGC	VG1845EP+938BAC
VG1845ER		29.2/18.7 ¹		VG1845ER+938AGC	VG1845ER+938GGC	VG1845ER+938BGC	VG1845ER+938BAC
VG1845ES		46.8/23.4		VG1845ES+938AGC	VG1845ES+938GGC	VG1845ES+938BGC	VG1845ES+938BAC
VG1845FR	2	29.2/18.7 ¹	200	VG1845FR+938AGC	VG1845FR+938GGC	VG1845FR+938BGC	VG1845FR+938BAC
VG1845FS		46.8/29.2 ¹		VG1845FS+938AGC	VG1845FS+938GGC	VG1845FS+938BGC	VG1845FS+938BAC
VG1845FT		73.7/36.8		VG1845FT+938AGC	VG1845FT+938GGC	VG1845FT+938BGC	VG1845FT+938BAC

1. Valve has a characterizing disk.

Table 25: Three-Way Stainless Steel Trim Ball Valves, Spring Return Clockwise – Port A (Coil) Closed with Switches

Fluid Temperatures: -22 to 212°F (-30 to 100°C) Not Rated for Steam Service				AC 24 V			AC 85–264 V (VA9203) AC 120 V (VA9208)
				Floating	DC 0 to 10 V Proportional	On/Off	On/Off
Valve	Size, in.	Cv (Port A/B)	Closeoff psi	Spring Return Port A Closed — Valve Spring Return Clockwise — Actuator with One Switch			
				VA9203-AGB-2Z	VA9203-GGB-2Z	VA9203-BGB-2	VA9203-BUB-2
VG1845AD	1/2	1.2/0.7 ¹	200	VG1845AD+943AGB	VG1845AD+943GGB	VG1845AD+943BGB	VG1845AD+943BUB
VG1845AE		1.9/1.2 ¹		VG1845AE+943AGB	VG1845AE+943GGB	VG1845AE+943BGB	VG1845AE+943BUB
VG1845AF		2.9/1.9 ¹		VG1845AF+943AGB	VG1845AF+943GGB	VG1845AF+943BGB	VG1845AF+943BUB
VG1845AG		4.7/2.9 ¹		VG1845AG+943AGB	VG1845AG+943GGB	VG1845AG+943BGB	VG1845AG+943BUB
VG1845AL		7.4/4.7 ¹		VG1845AL+943AGB	VG1845AL+943GGB	VG1845AL+943BGB	VG1845AL+943BUB
VG1845AN		11.7/5.8		VG1845AN+943AGB	VG1845AN+943GGB	VG1845AN+943BGB	VG1845AN+943BUB
VG1845BG	3/4	4.7/2.9 ¹	200	VG1845BG+943AGB	VG1845BG+943GGB	VG1845BG+943BGB	VG1845BG+943BUB
VG1845BL		7.4/4.7 ¹		VG1845BL+943AGB	VG1845BL+943GGB	VG1845BL+943BGB	VG1845BL+943BUB
VG1845BN		11.7/5.8		VG1845BN+943AGB	VG1845BN+943GGB	VG1845BN+943BGB	VG1845BN+943BUB
VG1845CL	1	7.4/4.7 ¹	200	VG1845CL+943AGB	VG1845CL+943GGB	VG1845CL+943BGB	VG1845CL+943BUB
VG1845CN		11.7/7.4 ¹		VG1845CN+943AGB	VG1845CN+943GGB	VG1845CN+943BGB	VG1845CN+943BUB
VG1845CP		18.7/9.4		VG1845CP+943AGB	VG1845CP+943GGB	VG1845CP+943BGB	VG1845CP+943BUB
Valve	Size, in.	Cv (Port A/B)	Closeoff psi	Spring Return Port A Closed — Valve Spring Return Clockwise — Actuator with Two Switches			
				VA9208-AGC-3	VA9208-GGC-3	VA9208-BGC-3	VA9208-BAC-3
VG1845DN	1-1/4	11.7/7.4 ¹	200	VG1845DN+958AGC	VG1845DN+958GGC	VG1845DN+958BGC	VG1845DN+958BAC
VG1845DP		18.7/11.7 ¹		VG1845DP+958AGC	VG1845DP+958GGC	VG1845DP+958BGC	VG1845DP+958BAC
VG1845DR		29.2/14.6		VG1845DR+958AGC	VG1845DR+958GGC	VG1845DR+958BGC	VG1845DR+958BAC
VG1845EP	1-1/2	18.7/11.7 ¹	200	VG1845EP+958AGC	VG1845EP+958GGC	VG1845EP+958BGC	VG1845EP+958BAC
VG1845ER		29.2/18.7 ¹		VG1845ER+958AGC	VG1845ER+958GGC	VG1845ER+958BGC	VG1845ER+958BAC
VG1845ES		46.8/23.4		VG1845ES+958AGC	VG1845ES+958GGC	VG1845ES+958BGC	VG1845ES+958BAC
VG1845FR	2	29.2/18.7 ¹	200	VG1845FR+958AGC	VG1845FR+958GGC	VG1845FR+958BGC	VG1845FR+958BAC
VG1845FS		46.8/29.2 ¹		VG1845FS+958AGC	VG1845FS+958GGC	VG1845FS+958BGC	VG1845FS+958BAC
VG1845FT		73.7/36.8		VG1845FT+958AGC	VG1845FT+958GGC	VG1845FT+958BGC	VG1845FT+958BAC

1. Valve has a characterizing disk.

Table 26: Three-Way Stainless Steel Trim Ball Valves, Spring Return Counterclockwise - Port A (Coil) Open, VA9203/VA9208 Series Actuators with Switches

Fluid Temperatures: -22 to 212°F (-30 to 100°C) Not Rated for Steam Service				AC 24 V			AC 85–264 V (VA9203) AC 120 V (VA9208)
				Floating	DC 0 to 10 V Proportional	On/Off	On/Off
Valve	Size, in.	Cv (Port A/B)	Closeoff psi	Spring Return Port A Open — Valve Spring Return Counterclockwise — Actuator with One Switch			
				VA9203-AGB-2Z	VA9203-GGB-2Z	VA9203-BGB-2	VA9203-BUB-2
VG1845AD	1/2	1.2/0.7 ¹	200	VG1845AD+923AGB	VG1845AD+923GGB	VG1845AD+923BGB	VG1845AD+923BUB
VG1845AE		1.9/1.2 ¹		VG1845AE+923AGB	VG1845AE+923GGB	VG1845AE+923BGB	VG1845AE+923BUB
VG1845AF		2.9/1.9 ¹		VG1845AF+923AGB	VG1845AF+923GGB	VG1845AF+923BGB	VG1845AF+923BUB
VG1845AG		4.7/2.9 ¹		VG1845AG+923AGB	VG1845AG+923GGB	VG1845AG+923BGB	VG1845AG+923BUB
VG1845AL		7.4/4.7 ¹		VG1845AL+923AGB	VG1845AL+923GGB	VG1845AL+923BGB	VG1845AL+923BUB
VG1845AN		11.7/5.8		VG1845AN+923AGB	VG1845AN+923GGB	VG1845AN+923BGB	VG1845AN+923BUB
VG1845BG		3/4		4.7/2.9 ¹	200	VG1845BG+923AGB	VG1845BG+923GGB
VG1845BL	7.4/4.7 ¹		VG1845BL+923AGB	VG1845BL+923GGB		VG1845BL+923BGB	VG1845BL+923BUB
VG1845BN	11.7/5.8		VG1845BN+923AGB	VG1845BN+923GGB		VG1845BN+923BGB	VG1845BN+923BUB
VG1845CL	1	7.4/4.7 ¹	200	VG1845CL+923AGB	VG1845CL+923GGB	VG1845CL+923BGB	VG1845CL+923BUB
VG1845CN		11.7/7.4 ¹		VG1845CN+923AGB	VG1845CN+923GGB	VG1845CN+923BGB	VG1845CN+923BUB
VG1845CP		18.7/9.4		VG1845CP+923AGB	VG1845CP+923GGB	VG1845CP+923BGB	VG1845CP+923BUB
Valve	Size, in.	Cv (Port A/B)	Closeoff psi	Spring Return Port A Open — Valve Spring Return Counterclockwise — Actuator with Two Switches			
				VA9208-AGC-3	VA9208-GGC-3	VA9208-BGC-3	VA9208-BAC-3
VG1845DN	1-1/4	11.7/7.4 ¹	200	VG1845DN+938AGC	VG1845DN+938GGC	VG1845DN+938BGC	VG1845DN+938BAC
VG1845DP		18.7/11.7 ¹		VG1845DP+938AGC	VG1845DP+938GGC	VG1845DP+938BGC	VG1845DP+938BAC
VG1845DR		29.2/14.6		VG1845DR+938AGC	VG1845DR+938GGC	VG1845DR+938BGC	VG1845DR+938BAC
VG1845EP	1-1/2	18.7/11.7 ¹	200	VG1845EP+938AGC	VG1845EP+938GGC	VG1845EP+938BGC	VG1845EP+938BAC
VG1845ER		29.2/18.7 ¹		VG1845ER+938AGC	VG1845ER+938GGC	VG1845ER+938BGC	VG1845ER+938BAC
VG1845ES		46.8/23.4		VG1845ES+938AGC	VG1845ES+938GGC	VG1845ES+938BGC	VG1845ES+938BAC
VG1845FR	2	29.2/18.7 ¹	200	VG1845FR+938AGC	VG1845FR+938GGC	VG1845FR+938BGC	VG1845FR+938BAC
VG1845FS		46.8/29.2 ¹		VG1845FS+938AGC	VG1845FS+938GGC	VG1845FS+938BGC	VG1845FS+938BAC
VG1845FT		73.7/36.8		VG1845FT+938AGC	VG1845FT+938GGC	VG1845FT+938BGC	VG1845FT+938BAC

1. Valve has a characterizing disk.

Table 27: Three-Way Stainless Steel Trim Ball Valves, Spring Return Clockwise – Port A (Coil) Closed, VA9203/VA9208 Series Actuators with Switches and Optional M9000-561 Thermal Barrier

Fluid Temperatures: -22 to 284°F (-30 to 140°C) Water and 15 psi Saturated Steam				AC 24 V			AC 85–264 V (VA9203) AC 120 V (VA9208)
				Floating	DC 0 to 10 V Proportional	On/Off	On/Off
Valve	Size, in.	Cv (Port A/B)	Closeoff psi	Spring Return Port A Closed — Valve Spring Return Clockwise — Actuator with One Switch with M9000-561 Thermal Barrier			
				VA9203-AGB-2Z	VA9203-GGB-2Z	VA9203-BGB-2	VA9203-BUB-2
VG1845AD	1/2	1.2/0.7 ¹	200	VG1845ADH943AGB	VG1845ADH943GGB	VG1845ADH943BGB	VG1845ADH943BUB
VG1845AE		1.9/1.2 ¹		VG1845AEH943AGB	VG1845AEH943GGB	VG1845AEH943BGB	VG1845AEH943BUB
VG1845AF		2.9/1.9 ¹		VG1845AFH943AGB	VG1845AFH943GGB	VG1845AFH943BGB	VG1845AFH943BUB
VG1845AG		4.7/2.9 ¹		VG1845AGH943AGB	VG1845AGH943GGB	VG1845AGH943BGB	VG1845AGH943BUB
VG1845AL		7.4/4.7 ¹		VG1845ALH943AGB	VG1845ALH943GGB	VG1845ALH943BGB	VG1845ALH943BUB
VG1845AN		11.7/5.8		VG1845ANH943AGB	VG1845ANH943GGB	VG1845ANH943BGB	VG1845ANH943BUB
VG1845BG		3/4		4.7/2.9 ¹	200	VG1845BGH943AGB	VG1845BGH943GGB
VG1845BL	7.4/4.7 ¹		VG1845BLH943AGB	VG1845BLH943GGB		VG1845BLH943BGB	VG1845BLH943BUB
VG1845BN	11.7/5.8		VG1845BNH943AGB	VG1845BNH943GGB		VG1845BNH943BGB	VG1845BNH943BUB
VG1845CL	1	7.4/4.7 ¹	200	VG1845CLH943AGB	VG1845CLH943GGB	VG1845CLH943BGB	VG1845CLH943BUB
VG1845CN		11.7/7.4 ¹		VG1845CNH943AGB	VG1845CNH943GGB	VG1845CNH943BGB	VG1845CNH943BUB
VG1845CP		18.7/9.4		VG1845CPH943AGB	VG1845CPH943GGB	VG1845CPH943BGB	VG1845CPH943BUB
Valve	Size, in.	Cv (Port A/B)	Closeoff psi	Spring Return Port A Closed — Valve Spring Return Clockwise — Actuator with Two Switches with M9000-561 Thermal Barrier			
				VA9208-AGC-3	VA9208-GGC-3	VA9208-BGC-2	VA9208-BAC-3
VG1845DN	1-1/4	11.7/7.4 ¹	200	VG1845DNH958AGC	VG1845DNH958GGC	VG1845DNH958BGC	VG1845DNH958BAC
VG1845DP		18.7/11.7 ¹		VG1845DPH958AGC	VG1845DPH958GGC	VG1845DPH958BGC	VG1845DPH958BAC
VG1845DR		29.2/14.6		VG1845DRH958AGC	VG1845DRH958GGC	VG1845DRH958BGC	VG1845DRH958BAC
VG1845EP	1-1/2	18.7/11.7 ¹	200	VG1845EPH958AGC	VG1845EPH958GGC	VG1845EPH958BGC	VG1845EPH958BAC
VG1845ER		29.2/18.7 ¹		VG1845ERH958AGC	VG1845ERH958GGC	VG1845ERH958BGC	VG1845ERH958BAC
VG1845ES		46.8/23.4		VG1845ESH958AGC	VG1845ESH958GGC	VG1845ESH958BGC	VG1845ESH958BAC
VG1845FR	2	29.2/18.7 ¹	200	VG1845FRH958AGC	VG1845FRH958GGC	VG1845FRH958BGC	VG1845FRH958BAC
VG1845FS		46.8/29.2 ¹		VG1845FSH958AGC	VG1845FSH958GGC	VG1845FSH958BGC	VG1845FSH958BAC
VG1845FT		73.7/36.8		VG1845FTH958AGC	VG1845FTH958GGC	VG1845FTH958BGC	VG1845FTH958BAC

1. Valve has a characterizing disk.

Table 28: Three-Way Stainless Steel Trim Ball Valves, Spring Return Counterclockwise – Port A (Coil) Open, VA9203/VA9208 Series Actuators without Switches

Fluid Temperatures: -22 to 212°F (-30 to 100°C) Not Rated for Steam Service				AC 24 V			AC 85–264 V (VA9203) AC 120 V (VA9208)
				Floating	DC 0 to 10 V Proportional	On/Off	On/Off
Valve	Size, in.	Cv (Port A/B)	Closeoff psi	Spring Return Port A Open — Valve Spring Return Counterclockwise — Actuator without Switches			
				VA9203-AGA-2Z	VA9203-GGA-2Z	VA9203-BGA-2	VA9203-BUA-2
VG1845AD	1/2	1.2 ¹	200	VG1845AD+923AGA	VG1845AD+923GGA	VG1845AD+923BGA	VG1845AD+923BUA
VG1845AE		1.9 ¹		VG1845AE+923AGA	VG1845AE+923GGA	VG1845AE+923BGA	VG1845AE+923BUA
VG1845AF		2.9 ¹		VG1845AF+923AGA	VG1845AF+923GGA	VG1845AF+923BGA	VG1845AF+923BUA
VG1845AG		4.7 ¹		VG1845AG+923AGA	VG1845AG+923GGA	VG1845AG+923BGA	VG1845AG+923BUA
VG1845AL		7.4 ¹		VG1845AL+923AGA	VG1845AL+923GGA	VG1845AL+923BGA	VG1845AL+923BUA
VG1845AN		11.7		VG1845AN+923AGA	VG1845AN+923GGA	VG1845AN+923BGA	VG1845AN+923BUA
VG1845BG	3/4	4.7 ¹	200	VG1845BG+923AGA	VG1845BG+923GGA	VG1845BG+923BGA	VG1845BG+923BUA
VG1845BL		7.4 ¹		VG1845BL+923AGA	VG1845BL+923GGA	VG1845BL+923BGA	VG1845BL+923BUA
VG1845BN		11.7		VG1845BN+923AGA	VG1845BN+923GGA	VG1845BN+923BGA	VG1845BN+923BUA
VG1845CL	1	7.4 ¹	200	VG1845CL+923AGA	VG1845CL+923GGA	VG1845CL+923BGA	VG1845CL+923BUA
VG1845CN		11.7 ¹		VG1845CN+923AGA	VG1845CN+923GGA	VG1845CN+923BGA	VG1845CN+923BUA
VG1845CP		18.7		VG1845CP+923AGA	VG1845CP+923GGA	VG1845CP+923BGA	VG1845CP+923BUA
Valve	Size, in.	Cv (Port A/B)	Closeoff psi	Spring Return Port A Open — Valve Spring Return Counterclockwise — Actuator without Switches			
				VA9208-AGA-2	VA9208-GGA-2	VA9208-BGA-2	VA9208-BAA-3
VG1845DN	1-1/4	11.7 ¹	200	VG1845DN+928AGA	VG1845DN+928GGA	VG1845DN+938BGA	VG1845DN+938BAA
VG1845DP		18.7 ¹		VG1845DP+928AGA	VG1845DP+928GGA	VG1845DP+938BGA	VG1845DP+938BAA
VG1845DR		29.2		VG1845DR+928AGA	VG1845DR+928GGA	VG1845DR+938BGA	VG1845DR+938BAA
VG1845EP	1-1/2	18.7 ¹	200	VG1845EP+928AGA	VG1845EP+928GGA	VG1845EP+938BGA	VG1845EP+938BAA
VG1845ER		29.2 ¹		VG1845ER+928AGA	VG1845ER+928GGA	VG1845ER+938BGA	VG1845ER+938BAA
VG1845ES		46.8		VG1845ES+928AGA	VG1845ES+928GGA	VG1845ES+938BGA	VG1845ES+938BAA
VG1845FR	2	29.2 ¹	200	VG1845FR+928AGA	VG1845FR+928GGA	VG1845FR+938BGA	VG1845FR+938BAA
VG1845FS		46.8 ¹		VG1845FS+928AGA	VG1845FS+928GGA	VG1845FS+938BGA	VG1845FS+938BAA
VG1845FT		73.7		VG1845FT+928AGA	VG1845FT+928GGA	VG1845FT+938BGA	VG1845FT+938BAA

1. Valve has a characterizing disk.

Table 29: Three-Way Stainless Steel Trim Ball Valves, Spring Return Clockwise – Port A (Coil) Closed, VA9203/VA9208 Series Actuators without Switches

Fluid Temperatures: -22 to 212°F (-30 to 100°C) Not Rated for Steam Service				AC 24 V			AC 85–264 V (VA9203) AC 120 V (VA9208)
				Floating	DC 0 to 10 V Proportional	On/Off	On/Off
Valve	Size, in.	Cv (Port A/B)	Closeoff psi	Spring Return Port A Closed — Valve Spring Return Clockwise — Actuator without Switches			
				VA9203-AGA-2Z	VA9203-GGA-2Z	VA9203-BGA-2	VA9203-BUA-2
VG1845AD	1/2	1.2 ¹	200	VG1845AD+943AGA	VG1845AD+943GGA	VG1845AD+943BGA	VG1845AD+943BUA
VG1845AE		1.9 ¹		VG1845AE+943AGA	VG1845AE+943GGA	VG1845AE+943BGA	VG1845AE+943BUA
VG1845AF		2.9 ¹		VG1845AF+943AGA	VG1845AF+943GGA	VG1845AF+943BGA	VG1845AF+943BUA
VG1845AG		4.7 ¹		VG1845AG+943AGA	VG1845AG+943GGA	VG1845AG+943BGA	VG1845AG+943BUA
VG1845AL		7.4 ¹		VG1845AL+943AGA	VG1845AL+943GGA	VG1845AL+943BGA	VG1845AL+943BUA
VG1845AN		11.7		VG1845AN+943AGA	VG1845AN+943GGA	VG1845AN+943BGA	VG1845AN+943BUA
VG1845BG	3/4	4.7 ¹	200	VG1845BG+943AGA	VG1845BG+943GGA	VG1845BG+943BGA	VG1845BG+943BUA
VG1845BL		7.4 ¹		VG1845BL+943AGA	VG1845BL+943GGA	VG1845BL+943BGA	VG1845BL+943BUA
VG1845BN		11.7		VG1845BN+943AGA	VG1845BN+943GGA	VG1845BN+943BGA	VG1845BN+943BUA
VG1845CL	1	7.4 ¹	200	VG1845CL+943AGA	VG1845CL+943GGA	VG1845CL+943BGA	VG1845CL+943BUA
VG1845CN		11.7 ¹		VG1845CN+943AGA	VG1845CN+943GGA	VG1845CN+943BGA	VG1845CN+943BUA
VG1845CP		18.7		VG1845CP+943AGA	VG1845CP+943GGA	VG1845CP+943BGA	VG1845CP+943BUA
Valve	Size, in.	Cv (Port A/B)	Closeoff psi	Spring Return Port A Closed — Valve Spring Return Clockwise — Actuator without Switches			
				VA9208-AGA-2	VA9208-GGA-2	VA9208-BGA-3	VA9208-BAA-3
VG1845DN	1-1/4	11.7 ¹	200	VG1845DN+948AGA	VG1845DN+948GGA	VG1845DN+958BGA	VG1845DN+958BAA
VG1845DP		18.7 ¹		VG1845DP+948AGA	VG1845DP+948GGA	VG1845DP+958BGA	VG1845DP+958BAA
VG1845DR		29.2		VG1845DR+948AGA	VG1845DR+948GGA	VG1845DR+958BGA	VG1845DR+958BAA
VG1845EP	1-1/2	18.7 ¹	200	VG1845EP+948AGA	VG1845EP+948GGA	VG1845EP+958BGA	VG1845EP+958BAA
VG1845ER		29.2 ¹		VG1845ER+948AGA	VG1845ER+948GGA	VG1845ER+958BGA	VG1845ER+958BAA
VG1845ES		46.8		VG1845ES+948AGA	VG1845ES+948GGA	VG1845ES+958BGA	VG1845ES+958BAA
VG1845FR	2	29.2 ¹	200	VG1845FR+948AGA	VG1845FR+948GGA	VG1845FR+958BGA	VG1845FR+958BAA
VG1845FS		46.8 ¹		VG1845FS+948AGA	VG1845FS+948GGA	VG1845FS+958BGA	VG1845FS+958BAA
VG1845FT		73.7		VG1845FT+948AGA	VG1845FT+948GGA	VG1845FT+958BGA	VG1845FT+958BAA

1. Valve has a characterizing disk.

Table 30: Three-Way Stainless Steel Trim Ball Valves, Spring Return Counterclockwise – Port A (Coil) Open, VA9203/VA9208 Series Actuators without Switches with Optional M9000-561 Thermal Barrier

Fluid Temperatures: -22 to 284°F (-30 to 140°C) Water and 15 psi Saturated Steam				AC 24 V			AC 85–264 V (VA9203) AC 120 V (VA9208)
				Floating	DC 0 to 10 V Proportional	On/Off	On/Off
Valve	Size, in.	Cv (Port A/B)	Closeoff psi	Spring Return Port A Open — Valve Spring Return Counterclockwise — Actuator without Switches with M9000-561 Thermal Barrier			
				VA9203-AGA-2Z	VA9203-GGA-2Z	VA9203-BGA-2	VA9203-BUA-2
VG1845AD	1/2	1.2 ¹	200	VG1845ADH923AGA	VG1845ADH923GGA	VG1845ADH923BGA	VG1845ADH923BUA
VG1845AE		1.9 ¹		VG1845AEH923AGA	VG1845AEH923GGA	VG1845AEH923BGA	VG1845AEH923BUA
VG1845AF		2.9 ¹		VG1845AFH923AGA	VG1845AFH923GGA	VG1845AFH923BGA	VG1845AFH923BUA
VG1845AG		4.7 ¹		VG1845AGH923AGA	VG1845AGH923GGA	VG1845AGH923BGA	VG1845AGH923BUA
VG1845AL		7.4 ¹		VG1845ALH923AGA	VG1845ALH923GGA	VG1845ALH923BGA	VG1845ALH923BUA
VG1845AN		11.7		VG1845ANH923AGA	VG1845ANH923GGA	VG1845ANH923BGA	VG1845ANH923BUA
VG1845BG	3/4	4.7 ¹	200	VG1845BGH923AGA	VG1845BGH923GGA	VG1845BGH923BGA	VG1845BGH923BUA
VG1845BL		7.4 ¹		VG1845BLH923AGA	VG1845BLH923GGA	VG1845BLH923BGA	VG1845BLH923BUA
VG1845BN		11.7		VG1845BNH923AGA	VG1845BNH923GGA	VG1845BNH923BGA	VG1845BNH923BUA
VG1845CL	1	7.4 ¹	200	VG1845CLH923AGA	VG1845CLH923GGA	VG1845CLH923BGA	VG1845CLH923BUA
VG1845CN		11.7 ¹		VG1845CNH923AGA	VG1845CNH923GGA	VG1845CNH923BGA	VG1845CNH923BUA
VG1845CP		18.7		VG1845CPH923AGA	VG1845CPH923GGA	VG1845CPH923BGA	VG1845CPH923BUA
Valve	Size, in.	Cv (Port A/B)	Closeoff psi	Spring Return Port A Open — Valve Spring Return Counterclockwise — Actuator without Switches with M9000-561 Thermal Barrier			
				VA9208-AGA-2	VA9208-GGA-2	VA9208-BGA-3	VA9208-BAA-3
VG1845DN	1-1/4	11.7 ¹	200	VG1845DNH928AGA	VG1845DNH928GGA	VG1845DNH938BGA	VG1845DNH938BAA
VG1845DP		18.7 ¹		VG1845DPH928AGA	VG1845DPH928GGA	VG1845DPH938BGA	VG1845DPH938BAA
VG1845DR		29.2		VG1845DRH928AGA	VG1845DRH928GGA	VG1845DRH938BGA	VG1845DRH938BAA
VG1845EP	1-1/2	18.7 ¹	200	VG1845EPH928AGA	VG1845EPH928GGA	VG1845EPH938BGA	VG1845EPH938BAA
VG1845ER		29.2 ¹		VG1845ERH928AGA	VG1845ERH928GGA	VG1845ERH938BGA	VG1845ERH938BAA
VG1845ES		46.8		VG1845ESH928AGA	VG1845ESH928GGA	VG1845ESH938BGA	VG1845ESH938BAA
VG1845FR	2	29.2 ¹	200	VG1845FRH928AGA	VG1845FRH928GGA	VG1845FRH938BGA	VG1845FRH938BAA
VG1845FS		46.8 ¹		VG1845FSH928AGA	VG1845FSH928GGA	VG1845FSH938BGA	VG1845FSH938BAA
VG1845FT		73.7		VG1845FTH928AGA	VG1845FTH928GGA	VG1845FTH938BGA	VG1845FTH938BAA

1. Valve has a characterizing disk.

Table 31: Three-Way Stainless Steel Trim Ball Valves, Spring Return Clockwise – Port A (Coil) Closed, VA9203/VA9208 Series Actuators without Switches with Optional M9000-561 Thermal Barrier

Fluid Temperatures: -22 to 284°F (-30 to 140°C) Water and 15 psi Saturated Steam				AC 24 V			AC 85–264 V (VA9203) AC 120 V (VA9208)
				Floating	DC 0 to 10 V Proportional	On/Off	On/Off
Valve	Size, in.	Cv (Port A/B)	Closeoff psi	Spring Return Port A Closed — Valve Spring Return Clockwise — Actuator without Switches with M9000-561 Thermal Barrier			
				VA9203-AGA-2Z	VA9203-GGA-2Z	VA9203-BGA-2	VA9203-BUA-2
VG1845AD	1/2	1.2 ¹	200	VG1845ADH943AGA	VG1845ADH943GGA	VG1845ADH943BGA	VG1845ADH943BUA
VG1845AE		1.9 ¹		VG1845AEH943AGA	VG1845AEH943GGA	VG1845AEH943BGA	VG1845AEH943BUA
VG1845AF		2.9 ¹		VG1845AFH943AGA	VG1845AFH943GGA	VG1845AFH943BGA	VG1845AFH943BUA
VG1845AG		4.7 ¹		VG1845AGH943AGA	VG1845AGH943GGA	VG1845AGH943BGA	VG1845AGH943BUA
VG1845AL		7.4 ¹		VG1845ALH943AGA	VG1845ALH943GGA	VG1845ALH943BGA	VG1845ALH943BUA
VG1845AN		11.7		VG1845ANH943AGA	VG1845ANH943GGA	VG1845ANH943BGA	VG1845ANH943BUA
VG1845BG	3/4	4.7 ¹	200	VG1845BGH943AGA	VG1845BGH943GGA	VG1845BGH943BGA	VG1845BGH943BUA
VG1845BL		7.4 ¹		VG1845BLH943AGA	VG1845BLH943GGA	VG1845BLH943BGA	VG1845BLH943BUA
VG1845BN		11.7		VG1845BNH943AGA	VG1845BNH943GGA	VG1845BNH943BGA	VG1845BNH943BUA
VG1845CL	1	7.4 ¹	200	VG1845CLH943AGA	VG1845CLH943GGA	VG1845CLH943BGA	VG1845CLH943BUA
VG1845CN		11.7 ¹		VG1845CNH943AGA	VG1845CNH943GGA	VG1845CNH943BGA	VG1845CNH943BUA
VG1845CP		18.7		VG1845CPH943AGA	VG1845CPH943GGA	VG1845CPH943BGA	VG1845CPH943BUA
Valve	Size, in.	Cv (Port A/B)	Closeoff psi	Spring Return Port A Closed — Valve Spring Return Clockwise — Actuator without Switches with M9000-561 Thermal Barrier			
				VA9208-AGA-2	VA9208-GGA-2	VA9208-BGA-2	VA9208-BAA-3
VG1845DN	1-1/4	11.7 ¹	200	VG1845DNH948AGA	VG1845DNH948GGA	VG1845DNH958BGA	VG1845DNH958BAA
VG1845DP		18.7 ¹		VG1845DPH948AGA	VG1845DPH948GGA	VG1845DPH958BGA	VG1845DPH958BAA
VG1845DR		29.2		VG1845DRH948AGA	VG1845DRH948GGA	VG1845DRH958BGA	VG1845DRH958BAA
VG1845EP	1-1/2	18.7 ¹	200	VG1845EPH948AGA	VG1845EPH948GGA	VG1845EPH958BGA	VG1845EPH958BAA
VG1845ER		29.2 ¹		VG1845ERH948AGA	VG1845ERH948GGA	VG1845ERH958BGA	VG1845ERH958BAA
VG1845ES		46.8		VG1845ESH948AGA	VG1845ESH948GGA	VG1845ESH958BGA	VG1845ESH958BAA
VG1845FR	2	29.2 ¹	200	VG1845FRH948AGA	VG1845FRH948GGA	VG1845FRH958BGA	VG1845FRH958BAA
VG1845FS		46.8 ¹		VG1845FSH948AGA	VG1845FSH948GGA	VG1845FSH958BGA	VG1845FSH958BAA
VG1845FT		73.7		VG1845FTH948AGA	VG1845FTH948GGA	VG1845FTH958BGA	VG1845FTH958BAA

1. Valve has a characterizing disk.

Table 32: Two-Way Brass Plated Trim Ball Valves, Non-Spring Return, VA9104 Series Electric Actuators without Switches

Fluid Temperature: 23 to 203°F (-5 to 95°C) Not Rated for Steam Service				AC 24 V		
				On/Off (Floating) without Timeout ¹	On/Off (Floating) with Timeout	DC 0 to 10 V Proportional
Valve	Size, in.	Cv	Closeoff psi	Actuators with M3 Screw Terminals		
				VA9104-AGA-3S	VA9104-IGA-3S	VA9104-GGA-3S
VG1241AD	1/2	1.2 ²	200	VG1241AD+9T4AGA	VG1241AD+9T4IGA	VG1241AD+9T4GGA
VG1241AE		1.9 ²		VG1241AE+9T4AGA	VG1241AE+9T4IGA	VG1241AE+9T4GGA
VG1241AF		2.9 ²		VG1241AF+9T4AGA	VG1241AF+9T4IGA	VG1241AF+9T4GGA
VG1241AG		4.7 ²		VG1241AG+9T4AGA	VG1241AG+9T4IGA	VG1241AG+9T4GGA
VG1241AL		7.4 ²		VG1241AL+9T4AGA	VG1241AL+9T4IGA	VG1241AL+9T4GGA
VG1241AN		11.7		VG1241AN+9T4AGA	VG1241AN+9T4IGA	VG1241AN+9T4GGA
VG1241BG	3/4	4.7 ²	200	VG1241BG+9T4AGA	VG1241BG+9T4IGA	VG1241BG+9T4GGA
VG1241BL		7.4 ²		VG1241BL+9T4AGA	VG1241BL+9T4IGA	VG1241BL+9T4GGA
VG1241BN		11.7		VG1241BN+9T4AGA	VG1241BN+9T4IGA	VG1241BN+9T4GGA
VG1241CL	1	7.4 ²	200	VG1241CL+9T4AGA	VG1241CL+9T4IGA	VG1241CL+9T4GGA
VG1241CN		11.7 ²		VG1241CN+9T4AGA	VG1241CN+9T4IGA	VG1241CN+9T4GGA
VG1241CP		18.7		VG1241CP+9T4AGA	VG1241CP+9T4IGA	VG1241CP+9T4GGA
Valve	Size, in.	Cv	Closeoff psi	Actuators with 120 in. (3.05 m) 19 AWG Plenum Cable		
				VA9104-AGA-2S	VA9104-IGA-2S	VA9104-GGA-2S
VG1241AD	1/2	1.2 ²	200	VG1241AD+9A4AGA	VG1241AD+9A4IGA	VG1241AD+9A4GGA
VG1241AE		1.9 ²		VG1241AE+9A4AGA	VG1241AE+9A4IGA	VG1241AE+9A4GGA
VG1241AF		2.9 ²		VG1241AF+9A4AGA	VG1241AF+9A4IGA	VG1241AF+9A4GGA
VG1241AG		4.7 ²		VG1241AG+9A4AGA	VG1241AG+9A4IGA	VG1241AG+9A4GGA
VG1241AL		7.4 ²		VG1241AL+9A4AGA	VG1241AL+9A4IGA	VG1241AL+9A4GGA
VG1241AN		11.7		VG1241AN+9A4AGA	VG1241AN+9A4IGA	VG1241AN+9A4GGA
VG1241BG	3/4	4.7 ²	200	VG1241BG+9A4AGA	VG1241BG+9A4IGA	VG1241BG+9A4GGA
VG1241BL		7.4 ²		VG1241BL+9A4AGA	VG1241BL+9A4IGA	VG1241BL+9A4GGA
VG1241BN		11.7		VG1241BN+9A4AGA	VG1241BN+9A4IGA	VG1241BN+9A4GGA
VG1241CL	1	7.4 ²	200	VG1241CL+9A4AGA	VG1241CL+9A4IGA	VG1241CL+9A4GGA
VG1241CN		11.7 ²		VG1241CN+9A4AGA	VG1241CN+9A4IGA	VG1241CN+9A4GGA
VG1241CP		18.7		VG1241CP+9A4AGA	VG1241CP+9A4IGA	VG1241CP+9A4GGA

1. To avoid excessive wear or drive time on the motor for the AGx models, use a controller or software that provides a timeout function to remove the signal at the end of rotation.
2. Valve has a characterizing disk.

Table 33: Two-Way Brass Plated Trim Ball Valves, Non-Spring Return, VA9300 Series Electric Actuators

Fluid Temperature: 23 to 203°F (-5 to 95°C) Not Rated for Steam Service				AC/DC 24 V		
				On/Off	Floating	DC 0(2) to 10 V Proportional
Valve	Size, in.	Cv	Closeoff psi	Actuators without Switches		
VA9310-HGA-2						
VG1241DN	1-1/4	11.7 ¹	200	VG1241DN+910HGA		
VG1241DP		18.7 ¹		VG1241DP+910HGA		
VG1241DR		29.2		VG1241DR+910HGA		
VG1241EP	1-1/2	18.7 ¹	200	VG1241EP+910HGA		
VG1241ER		29.2 ¹		VG1241ER+910HGA		
VG1241ES		46.8		VG1241ES+910HGA		
VG1241FR	2	29.2 ¹	200	VG1241FR+910HGA		
VG1241FS		46.8 ¹		VG1241FS+910HGA		
VG1241FT		73.7		VG1241FT+910HGA		
Valve	Size, in.	Cv	Closeoff psi	Actuators With Two Switches		
VA9310-HGA-2 actuator with M9300-2 Switch Kit ²						
VG1241AD	1/2	1.2 ¹	200	VG1241AD+910HGC		
VG1241AE		1.9 ¹		VG1241AE+910HGC		
VG1241AF		2.9 ¹		VG1241AF+910HGC		
VG1241AG		4.7 ¹		VG1241AG+910HGC		
VG1241AL		7.4 ¹		VG1241AL+910HGC		
VG1241AN		11.7		VG1241AN+910HGC		
VG1241BG	3/4	4.7 ¹	200	VG1241BG+910HGC		
VG1241BL		7.4 ¹		VG1241BL+910HGC		
VG1241BN		11.7		VG1241BN+910HGC		
VG1241CL	1	7.4 ¹	200	VG1241CL+910HGC		
VG1241CN		11.7 ¹		VG1241CN+910HGC		
VG1241CP		18.7		VG1241CP+910HGC		
VG1241DN	1-1/4	11.7 ¹	200	VG1241DN+910HGC		
VG1241DP		18.7 ¹		VG1241DP+910HGC		
VG1241DR		29.2		VG1241DR+910HGC		
VG1241EP	1-1/2	18.7 ¹	200	VG1241EP+910HGC		
VG1241ER		29.2 ¹		VG1241ER+910HGC		
VG1241ES		46.8		VG1241ES+910HGC		
VG1241FR	2	29.2 ¹	200	VG1241FR+910HGC		
VG1241FS		46.8 ¹		VG1241FS+910HGC		
VG1241FT		73.7		VG1241FT+910HGC		

1. Valve has a characterizing disk.
2. For field mounting order VA9310-HGA-2 and the M9300-2 Switch Kit separately.

Table 34: Two-Way Plated Brass Trim Ball Valves, Spring Return Valve Open - Valve Normally Open, VA9203/VA9208 Series Actuators with Switches

Fluid Temperatures: 23 to 203°F (-5 to 95°C) Not Rated for Steam Service				AC 24 V			AC 85–264 V (VA9203) AC 120 V (VA9208)
				Floating	DC 0 to 10 V Proportional	On/Off	On/Off
Valve	Size, in.	Cv	Closeoff psi	Spring Return Open — Valve Normally Open — Actuators with One Switch			
				VA9203-AGB-2Z	VA9203-GGB-2Z	VA9203-BGB-2	VA9203-BUB-2
VG1241AD	1/2	1.2 ¹	200	VG1241AD+923AGB	VG1241AD+923GGB	VG1241AD+923BGB	VG1241AD+923BUB
VG1241AE		1.9 ¹		VG1241AE+923AGB	VG1241AE+923GGB	VG1241AE+923BGB	VG1241AE+923BUB
VG1241AF		2.9 ¹		VG1241AF+923AGB	VG1241AF+923GGB	VG1241AF+923BGB	VG1241AF+923BUB
VG1241AG		4.7 ¹		VG1241AG+923AGB	VG1241AG+923GGB	VG1241AG+923BGB	VG1241AG+923BUB
VG1241AL		7.4 ¹		VG1241AL+923AGB	VG1241AL+923GGB	VG1241AL+923BGB	VG1241AL+923BUB
VG1241AN		11.7		VG1241AN+923AGB	VG1241AN+923GGB	VG1241AN+923BGB	VG1241AN+923BUB
VG1241BG	3/4	4.7 ¹	200	VG1241BG+923AGB	VG1241BG+923GGB	VG1241BG+923BGB	VG1241BG+923BUB
VG1241BL		7.4 ¹		VG1241BL+923AGB	VG1241BL+923GGB	VG1241BL+923BGB	VG1241BL+923BUB
VG1241BN		11.7		VG1241BN+923AGB	VG1241BN+923GGB	VG1241BN+923BGB	VG1241BN+923BUB
VG1241CL	1	7.4 ¹	200	VG1241CL+923AGB	VG1241CL+923GGB	VG1241CL+923BGB	VG1241CL+923BUB
VG1241CN		11.7 ¹		VG1241CN+923AGB	VG1241CN+923GGB	VG1241CN+923BGB	VG1241CN+923BUB
VG1241CP		18.7		VG1241CP+923AGB	VG1241CP+923GGB	VG1241CP+923BGB	VG1241CP+923BUB
Valve	Size, in.	Cv	Closeoff psi	Spring Return Open — Valve Normally Open — Actuators with Two Switches			
				VA9208-AGC-3	VA9208-GGC-3	VA9208-BGC-3	VA9208-BAC-3
VG1241DN	1-1/4	11.7 ¹	200	VG1241DN+938AGC	VG1241DN+938GGC	VG1241DN+938BGC	VG1241DN+938BAC
VG1241DP		18.7 ¹		VG1241DP+938AGC	VG1241DP+938GGC	VG1241DP+938BGC	VG1241DP+938BAC
VG1241DR		29.2		VG1241DR+938AGC	VG1241DR+938GGC	VG1241DR+938BGC	VG1241DR+938BAC
VG1241EP	1-1/2	18.7 ¹	200	VG1241EP+938AGC	VG1241EP+938GGC	VG1241EP+938BGC	VG1241EP+938BAC
VG1241ER		29.2 ¹		VG1241ER+938AGC	VG1241ER+938GGC	VG1241ER+938BGC	VG1241ER+938BAC
VG1241ES		46.8		VG1241ES+938AGC	VG1241ES+938GGC	VG1241ES+938BGC	VG1241ES+938BAC
VG1241FR	2	29.2 ¹	200	VG1241FR+938AGC	VG1241FR+938GGC	VG1241FR+938BGC	VG1241FR+938BAC
VG1241FS		46.8 ¹		VG1241FS+938AGC	VG1241FS+938GGC	VG1241FS+938BGC	VG1241FS+938BAC
VG1241FT		73.7		VG1241FT+938AGC	VG1241FT+938GGC	VG1241FT+938BGC	VG1241FT+938BAC

1. Valve has a characterizing disk.

Table 35: Two-Way Plated Brass Trim Ball Valves, Spring Return Valve Closed - Valve Normally Closed, VA9203/VA9208 Series Actuators with Switches

Fluid Temperatures: 23 to 203°F (-5 to 95°C) Not Rated for Steam Service				AC 24 V			AC 85–264 V (VA9203) AC 120 V (VA9208)
				Floating	DC 0 to 10 V Proportional	On/Off	On/Off
Valve	Size, in.	Cv	Closeoff psi	Spring Return Closed — Valve Normally Closed — Actuators with One Switch			
				VA9203-AGB-2Z	VA9203-GGB-2Z	VA9203-BGB-2	VA9203-BUB-2
VG1241AD	1/2	1.2 ¹	200	VG1241AD+943AGB	VG1241AD+943GGB	VG1241AD+943BGB	VG1241AD+943BUB
VG1241AE		1.9 ¹		VG1241AE+943AGB	VG1241AE+943GGB	VG1241AE+943BGB	VG1241AE+943BUB
VG1241AF		2.9 ¹		VG1241AF+943AGB	VG1241AF+943GGB	VG1241AF+943BGB	VG1241AF+943BUB
VG1241AG		4.7 ¹		VG1241AG+943AGB	VG1241AG+943GGB	VG1241AG+943BGB	VG1241AG+943BUB
VG1241AL		7.4 ¹		VG1241AL+943AGB	VG1241AL+943GGB	VG1241AL+943BGB	VG1241AL+943BUB
VG1241AN		11.7		VG1241AN+943AGB	VG1241AN+943GGB	VG1241AN+943BGB	VG1241AN+943BUB
VG1241BG	3/4	4.7 ¹	200	VG1241BG+943AGB	VG1241BG+943GGB	VG1241BG+943BGB	VG1241BG+943BUB
VG1241BL		7.4 ¹		VG1241BL+943AGB	VG1241BL+943GGB	VG1241BL+943BGB	VG1241BL+943BUB
VG1241BN		11.7		VG1241BN+943AGB	VG1241BN+943GGB	VG1241BN+943BGB	VG1241BN+943BUB
VG1241CL	1	7.4 ¹	200	VG1241CL+943AGB	VG1241CL+943GGB	VG1241CL+943BGB	VG1241CL+943BUB
VG1241CN		11.7 ¹		VG1241CN+943AGB	VG1241CN+943GGB	VG1241CN+943BGB	VG1241CN+943BUB
VG1241CP		18.7		VG1241CP+943AGB	VG1241CP+943GGB	VG1241CP+943BGB	VG1241CP+943BUB
Valve	Size, in.	Cv	Closeoff psi	Spring Return Closed — Valve Normally Closed — Actuators with Two Switches			
				VA9208-AGC-3	VA9208-GGC-3	VA9208-BGC-3	VA9208-BAC-3
VG1241DN	1-1/4	11.7 ¹	200	VG1241DN+958AGC	VG1241DN+958GGC	VG1241DN+958BGC	VG1241DN+958BAC
VG1241DP		18.7 ¹		VG1241DP+958AGC	VG1241DP+958GGC	VG1241DP+958BGC	VG1241DP+958BAC
VG1241DR		29.2		VG1241DR+958AGC	VG1241DR+958GGC	VG1241DR+958BGC	VG1241DR+958BAC
VG1241EP	1-1/2	18.7 ¹	200	VG1241EP+958AGC	VG1241EP+958GGC	VG1241EP+958BGC	VG1241EP+958BAC
VG1241ER		29.2 ¹		VG1241ER+958AGC	VG1241ER+958GGC	VG1241ER+958BGC	VG1241ER+958BAC
VG1241ES		46.8		VG1241ES+958AGC	VG1241ES+958GGC	VG1241ES+958BGC	VG1241ES+958BAC
VG1241FR	2	29.2 ¹	200	VG1241FR+958AGC	VG1241FR+958GGC	VG1241FR+958BGC	VG1241FR+958BAC
VG1241FS		46.8 ¹		VG1241FS+958AGC	VG1241FS+958GGC	VG1241FS+958BGC	VG1241FS+958BAC
VG1241FT		73.7		VG1241FT+958AGC	VG1241FT+958GGC	VG1241FT+958BGC	VG1241FT+958BAC

1. Valve has a characterizing disk.

Table 36: Three-Way Brass Plated Trim Ball Valves, Non-Spring Return, VA9300 Series Electric Actuators

Fluid Temperature: 23 to 203°F (-5 to 95°C) Not Rated for Steam Service				AC/DC 24 V		
				On/Off	Floating	DC 0(2) to 10 V Proportional
Valve	Size, in.	Cv	Closeoff psi	Actuators without Switches		
VA9310-HGA-2						
VG1841DN	1-1/4	11.7 ¹	200	VG1841DN+910HGA		
VG1841DP		18.7 ¹		VG1841DP+910HGA		
VG1841DR		29.2		VG1841DR+910HGA		
VG1841EP	1-1/2	18.7 ¹	200	VG1841EP+910HGA		
VG1841ER		29.2 ¹		VG1841ER+910HGA		
VG1841ES		46.8		VG1841ES+910HGA		
VG1841FR	2	29.2 ¹	200	VG1841FR+910HGA		
VG1841FS		46.8 ¹		VG1841FS+910HGA		
VG1841FT		73.7		VG1841FT+910HGA		
Valve	Size, in.	Cv	Closeoff psi	Actuators With Two Switches		
VA9310-HGA-2 actuator with M9300-2 Switch Kit ²						
VG1841AD	1/2	1.2 ¹	200	VG1841AD+910HGC		
VG1841AE		1.9 ¹		VG1841AE+910HGC		
VG1841AF		2.9 ¹		VG1841AF+910HGC		
VG1841AG		4.7 ¹		VG1841AG+910HGC		
VG1841AL		7.4 ¹		VG1841AL+910HGC		
VG1841AN		11.7		VG1841AN+910HGC		
VG1841BG	3/4	4.7 ¹	200	VG1841BG+910HGC		
VG1841BL		7.4 ¹		VG1841BL+910HGC		
VG1841BN		11.7		VG1841BN+910HGC		
VG1841CL	1	7.4 ¹	200	VG1841CL+910HGC		
VG1841CN		11.7 ¹		VG1841CN+910HGC		
VG1841CP		18.7		VG1841CP+910HGC		
VG1841DN	1-1/4	11.7 ¹	200	VG1841DN+910HGC		
VG1841DP		18.7 ¹		VG1841DP+910HGC		
VG1841DR		29.2		VG1841DR+910HGC		
VG1841EP	1-1/2	18.7 ¹	200	VG1841EP+910HGC		
VG1841ER		29.2 ¹		VG1841ER+910HGC		
VG1841ES		46.8		VG1841ES+910HGC		
VG1841FR	2	29.2 ¹	200	VG1841FR+910HGC		
VG1841FS		46.8 ¹		VG1841FS+910HGC		
VG1841FT		73.7		VG1841FT+910HGC		

1. Valve has a characterizing disk.
2. For field mounting order VA9310-HGA-2 and the M9300-2 Switch Kit separately.

Table 37: Three-Way Plated Brass Trim Ball Valves, Spring Return Counterclockwise - Port A (Coil) Open, VA9203/VA9208 Series Actuators with Switches

Fluid Temperatures: 23 to 203°F (-5 to 95°C) Not Rated for Steam Service				AC 24 V			AC 85–264 V (VA9203) AC 120 V (VA9208)
				Floating	DC 0 to 10 V Proportional	On/Off	On/Off
Valve	Size, in.	Cv (Port A/B)	Closeoff psig	Spring Return Port A Open — Valve Spring Return Counterclockwise — Actuator with One Switch			
				VA9203-AGB-2Z	VA9203-GGB-2Z	VA9203-BGB-2	VA9203-BUB-2
VG1841AD	1/2	1.2/0.7 ¹	200	VG1841AD+923AGB	VG1841AD+923GGB	VG1841AD+923BGB	VG1841AD+923BUB
VG1841AE		1.9/1.2 ¹		VG1841AE+923AGB	VG1841AE+923GGB	VG1841AE+923BGB	VG1841AE+923BUB
VG1841AF		2.9/1.9 ¹		VG1841AF+923AGB	VG1841AF+923GGB	VG1841AF+923BGB	VG1841AF+923BUB
VG1841AG		4.7/2.9 ¹		VG1841AG+923AGB	VG1841AG+923GGB	VG1841AG+923BGB	VG1841AG+923BUB
VG1841AL		7.4/4.7 ¹		VG1841AL+923AGB	VG1841AL+923GGB	VG1841AL+923BGB	VG1841AL+923BUB
VG1841AN		11.7/5.8		VG1841AN+923AGB	VG1841AN+923GGB	VG1841AN+923BGB	VG1841AN+923BUB
VG1841BG		3/4		4.7/2.9 ¹	200	VG1841BG+923AGB	VG1841BG+923GGB
VG1841BL	7.4/4.7 ¹		VG1841BL+923AGB	VG1841BL+923GGB		VG1841BL+923BGB	VG1841BL+923BUB
VG1841BN	11.7/5.8		VG1841BN+923AGB	VG1841BN+923GGB		VG1841BN+923BGB	VG1841BN+923BUB
VG1841CL	1	7.4/4.7 ¹	200	VG1841CL+923AGB	VG1841CL+923GGB	VG1841CL+923BGB	VG1841CL+923BUB
VG1841CN		11.7/7.4 ¹		VG1841CN+923AGB	VG1841CN+923GGB	VG1841CN+923BGB	VG1841CN+923BUB
VG1841CP		18.7/9.4		VG1841CP+923AGB	VG1841CP+923GGB	VG1841CP+923BGB	VG1841CP+923BUB
Valve	Size, in.	Cv (Port A/B)	Closeoff psig	Spring Return Port A Open — Valve Spring Return Counterclockwise — Actuator with Two Switches			
				VA9208-AGC-3	VA9208-GGC-3	VA9208-BGC-3	VA9208-BAC-3
VG1841DN	1-1/4	11.7/7.4 ¹	200	VG1841DN+938AGC	VG1841DN+938GGC	VG1841DN+938BGC	VG1841DN+938BAC
VG1841DP		18.7/11.7 ¹		VG1841DP+938AGC	VG1841DP+938GGC	VG1841DP+938BGC	VG1841DP+938BAC
VG1841DR		29.2/14.6		VG1841DR+938AGC	VG1841DR+938GGC	VG1841DR+938BGC	VG1841DR+938BAC
VG1841EP	1-1/2	18.7/11.7 ¹	200	VG1841EP+938AGC	VG1841EP+938GGC	VG1841EP+938BGC	VG1841EP+938BAC
VG1841ER		29.2/18.7 ¹		VG1841ER+938AGC	VG1841ER+938GGC	VG1841ER+938BGC	VG1841ER+938BAC
VG1841ES		46.8/23.4		VG1841ES+938AGC	VG1841ES+938GGC	VG1841ES+938BGC	VG1841ES+938BAC
VG1841FR	2	29.2/18.7 ¹	200	VG1841FR+938AGC	VG1841FR+938GGC	VG1841FR+938BGC	VG1841FR+938BAC
VG1841FS		46.8/29.2 ¹		VG1841FS+938AGC	VG1841FS+938GGC	VG1841FS+938BGC	VG1841FS+938BAC
VG1841FT		73.7/36.8		VG1841FT+938AGC	VG1841FT+938GGC	VG1841FT+938BGC	VG1841FT+938BAC

1. Valve has a characterizing disk.

Table 38: Three-Way Plated Brass Trim Ball Valves, Spring Return Clockwise – Port A (Coil) Closed with Switches

Fluid Temperatures: 23 to 203°F (-5 to 95°C) Not Rated for Steam Service				AC 24 V			AC 85–264 V (VA9203) AC 120 V (VA9208)
				Floating	DC 0 to 10 V Proportional	On/Off	On/Off
Valve	Size, in.	Cv (Port A/B)	Closeoff psi	Spring Return Port A Closed — Valve Spring Return Clockwise — Actuator with One Switch			
				VA9203-AGB-2Z	VA9203-GGB-2Z	VA9203-BGB-2	VA9203-BUB-2
VG1841AD	1/2	1.2/0.7 ¹	200	VG1841AD+943AGB	VG1841AD+943GGB	VG1841AD+943BGB	VG1841AD+943BUB
VG1841AE		1.9/1.2 ¹		VG1841AE+943AGB	VG1841AE+943GGB	VG1841AE+943BGB	VG1841AE+943BUB
VG1841AF		2.9/1.9 ¹		VG1841AF+943AGB	VG1841AF+943GGB	VG1841AF+943BGB	VG1841AF+943BUB
VG1841AG		4.7/2.9 ¹		VG1841AG+943AGB	VG1841AG+943GGB	VG1841AG+943BGB	VG1841AG+943BUB
VG1841AL		7.4/4.7 ¹		VG1841AL+943AGB	VG1841AL+943GGB	VG1841AL+943BGB	VG1841AL+943BUB
VG1841AN		11.7/5.8		VG1841AN+943AGB	VG1841AN+943GGB	VG1841AN+943BGB	VG1841AN+943BUB
VG1841BG	3/4	4.7/2.9 ¹	200	VG1841BG+943AGB	VG1841BG+943GGB	VG1841BG+943BGB	VG1841BG+943BUB
VG1841BL		7.4/4.7 ¹		VG1841BL+943AGB	VG1841BL+943GGB	VG1841BL+943BGB	VG1841BL+943BUB
VG1841BN		11.7/5.8		VG1841BN+943AGB	VG1841BN+943GGB	VG1841BN+943BGB	VG1841BN+943BUB
VG1841CL	1	7.4/4.7 ¹	200	VG1841CL+943AGB	VG1841CL+943GGB	VG1841CL+943BGB	VG1841CL+943BUB
VG1841CN		11.7/7.4 ¹		VG1841CN+943AGB	VG1841CN+943GGB	VG1841CN+943BGB	VG1841CN+943BUB
VG1841CP		18.7/9.4		VG1841CP+943AGB	VG1841CP+943GGB	VG1841CP+943BGB	VG1841CP+943BUB
Valve	Size, in.	Cv (Port A/B)	Closeoff psi	Spring Return Port A Closed — Valve Spring Return Clockwise — Actuator with Two Switches			
				VA9208-AGC-3	VA9208-GGC-3	VA9208-BGC-3	VA9208-BAC-3
VG1841DN	1-1/4	11.7/7.4 ¹	200	VG1841DN+958AGC	VG1841DN+958GGC	VG1841DN+958BGC	VG1841DN+958BAC
VG1841DP		18.7/11.7 ¹		VG1841DP+958AGC	VG1841DP+958GGC	VG1841DP+958BGC	VG1841DP+958BAC
VG1841DR		29.2/14.6		VG1841DR+958AGC	VG1841DR+958GGC	VG1841DR+958BGC	VG1841DR+958BAC
VG1841EP	1-1/2	18.7/11.7 ¹	200	VG1841EP+958AGC	VG1841EP+958GGC	VG1841EP+958BGC	VG1841EP+958BAC
VG1841ER		29.2/18.7 ¹		VG1841ER+958AGC	VG1841ER+958GGC	VG1841ER+958BGC	VG1841ER+958BAC
VG1841ES		46.8/23.4		VG1841ES+958AGC	VG1841ES+958GGC	VG1841ES+958BGC	VG1841ES+958BAC
VG1841FR	2	29.2/18.7 ¹	200	VG1841FR+958AGC	VG1841FR+958GGC	VG1841FR+958BGC	VG1841FR+958BAC
VG1841FS		46.8/29.2 ¹		VG1841FS+958AGC	VG1841FS+958GGC	VG1841FS+958BGC	VG1841FS+958BAC
VG1841FT		73.7/36.8		VG1841FT+958AGC	VG1841FT+958GGC	VG1841FT+958BGC	VG1841FT+958BAC

1. Valve has a characterizing disk.

Table 39: Shipping Weights, lb (kg)

Valve Code Number	Description	Shipping Weight, lb (kg)
VG12xxAx	1/2 in. (DN15) Two-Way Forged Brass Ball Valve	0.8 (0.4)
VG12xxBx	3/4 in. (DN20) Two-Way Forged Brass Ball Valve	1.0 (0.5)
VG12xxCx	1 in. (DN25) Two-Way Forged Brass Ball Valve	1.8 (0.8)
VG12xxDx	1-1/4 in. (DN32) Two-Way Forged Brass Ball Valve	2.3 (1.0)
VG12xxEx	1-1/2 in. (DN40) Two-Way Forged Brass Ball Valve	3.8 (1.7)
VG12xxFx	2 in. (DN50) Two-Way Forged Brass Ball Valve	5.0 (2.3)
VG18xxAx	1/2 in. (DN15) Three-Way Forged Brass Ball Valve	1.25 (0.6)
VG18xxBx	3/4 in. (DN20) Three-Way Forged Brass Ball Valve	1.5 (0.7)
VG18xxCx	1 in. (DN25) Three-Way Forged Brass Ball Valve	2.75 (1.3)
VG18xxDx	1-1/4 in. (DN32) Three-Way Forged Brass Ball Valve	4.25 (1.9)
VG18xxEx	1-1/2 in. (DN40) Three-Way Forged Brass Ball Valve	6.25 (2.8)
VG18xxFx	2 in. (DN50) Three-Way Forged Brass Ball Valve	8.2 (3.7)

Table 40: Repair Parts

Linkage	Replacement Description	Replacement Part Code Number
M9000-551	Linkage with Handle for VA9104 Series Actuators	Unit Replacement
M9000-560	Linkage for VA9203/VA9208 Series Actuators	Unit Replacement
M9000-561	Thermal Barrier for VA9104/VA9203/VA9208/VA9300 Series Actuators	Unit Replacement
M9310-500	Linkage for M9300 Actuators	Unit Replacement

Application Overview

Available in sizes 1/2 through 2 in. (DN15 through DN50), VG1000 Series Ball Valves are designed specifically for automated commercial HVAC service. These valves feature a forged brass body with either a chrome-plated brass ball for water or glycol solutions to 203°F (95°C), or a 300 Series stainless steel ball for high temperature water to 284°F (140°C) and saturated steam to 15 psi. The Amodel Flow Characterizing Disk maintains equal percentage flow characteristics for optimum temperature control, as shown in Figure 2. The blowout-proof stem and mounting flange, combined with an innovative double O-ring stem seal and self-centering stem bushing design (shown in Figure 3) provide quick and easy electric actuator field mounting while ensuring long life and leak-free valve performance. The specially engineered, graphite-reinforced PTFE seat with flexible PTFE seat design (backed with EPDM O-rings) significantly reduces the operating torque, allowing the smallest possible electric actuator available to provide the force required for the specific application. All valve and actuator assemblies provide 200 psig (1,379 kPa) closeoff pressure while ensuring operation after long idle periods. Because of their cost-effective, reliable design, VG1000 Series Ball Valves are maintenance free.

VA9000 Series Electric Actuators include mounting hardware for direct coupling to VG1000 Series Ball Valves. M9000 Series Electric Actuators require additional Valve Linkage Kits. See Table 32 and Table 33 for valid valve, actuator, and linkage kit combinations for assembly in the field.

VG1000 Series Ball Valves are designed for factory or field mounting to a wide variety of Johnson Controls® M9000 and VA9000 Series Electric Actuators. Control signal selections include:

- floating point without timeout
- on/off and floating point
- on/off
- proportional

Valve End Connection

VG1000 Series 1/2, 3/4, and 1 in. (DN15, DN20, and DN25) valves are available in one of three end connections:

- NPT Threaded
- Sweat end for copper tubing
- Press end for copper tubing

Press end connected valves are designed for installation using RIDGID Pressing Tool Technology manufactured by the Ridgid Tool Corporation for use with the ProPress fitting system. Press end connections afford significant installation savings. Additional information on these tools can be found at www.ridgid.com.

VG1000 Series 1-1/4, 1-1/2, and 2 in. (DN32, DN40, and DN50) valves are available with NPT threaded ends only.

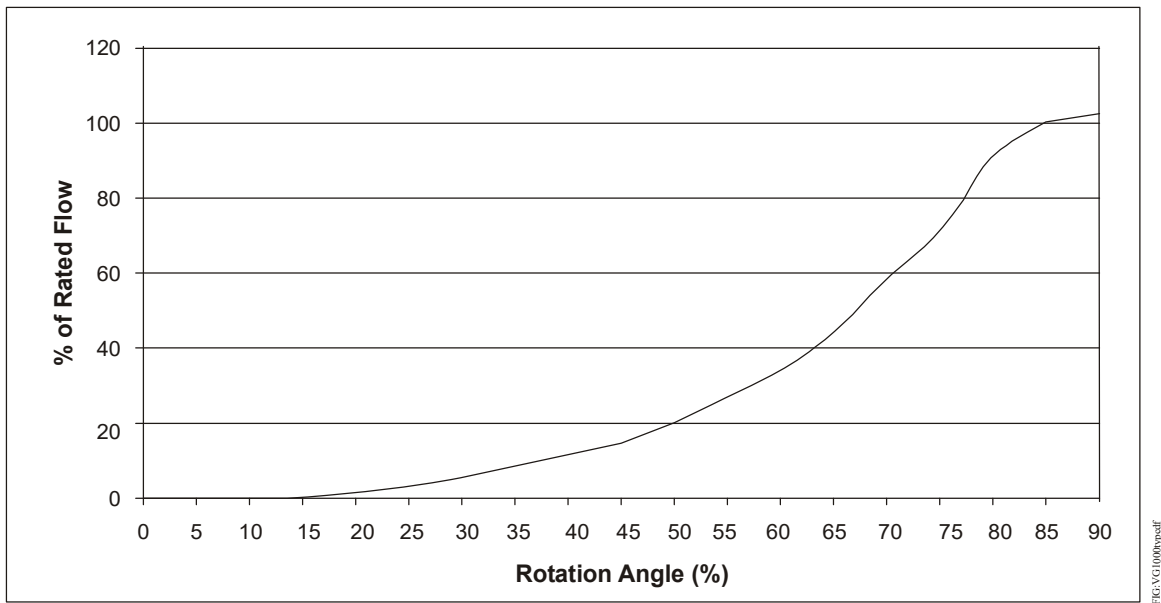


Figure 2: Typical Two-Way VG1000 Series Ball Valve

See Figure 3 for typical VG1000 internal composition.

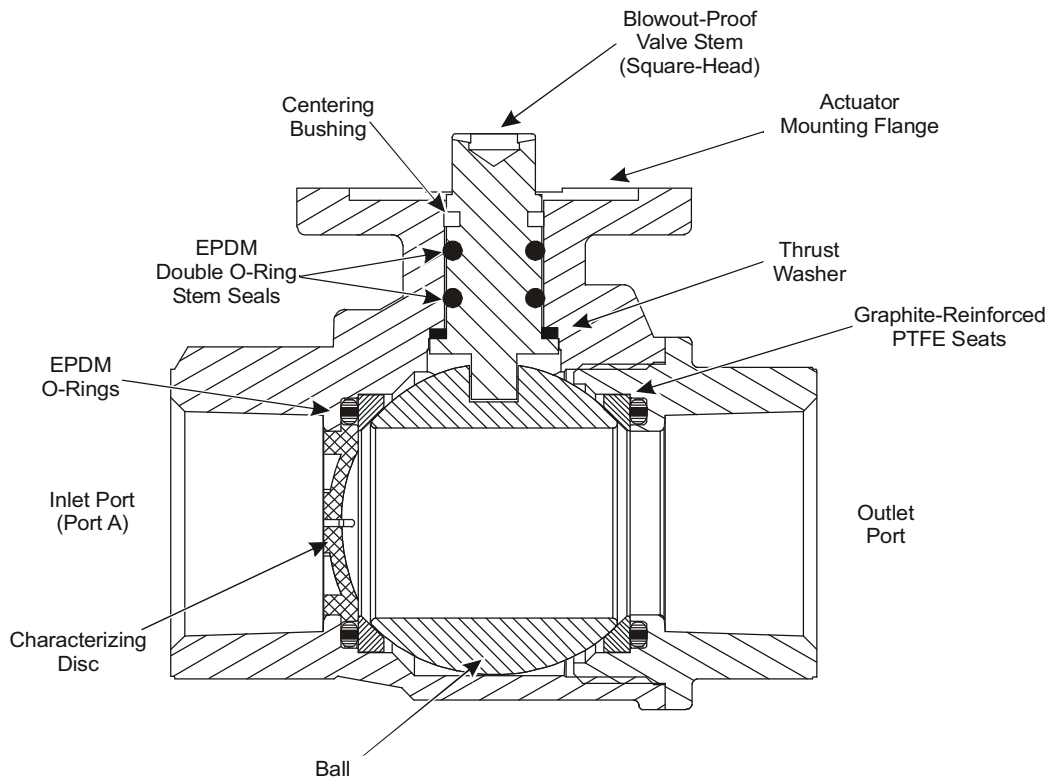
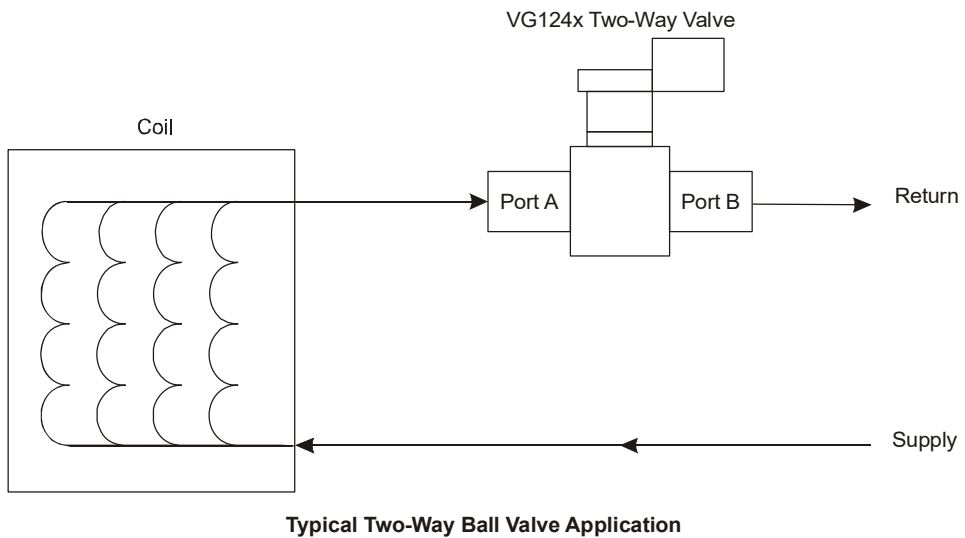
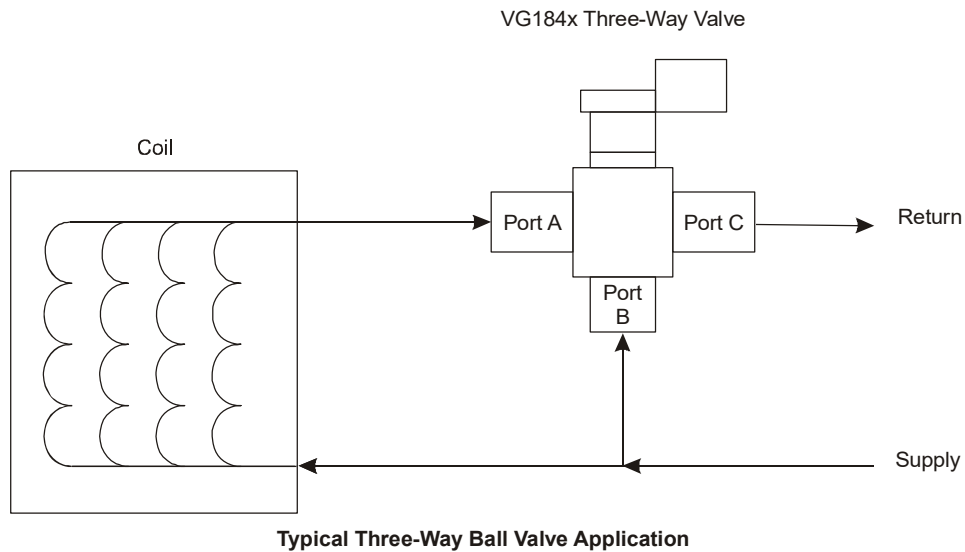


Figure 3: Internal View of a Typical VG1000 Series Ball Valve

See Figure 4 for typical piping applications.



Note: Mount the valve downstream from the coil to minimize heat transfer to the actuator.

Figure 4: Typical VG1000 Piping

IMPORTANT: The VG1000 Series Valves are intended to control saturated steam, hot water, and chilled water flow under normal equipment operating conditions. Where failure or malfunction of the VG1000 Series Valve could lead to personal injury or property damage to the controlled equipment or other property, additional precautions must be designed into the system. Incorporate and maintain other devices such as supervisory or alarm systems or safety or limit controls, intended to warn of or protect against failure or malfunction of the VG1000 Series Valve.

Electric Actuator Control Signal Action

Two-way VG1000 Series Ball Valves are fully open when the electric actuator is fully Counterclockwise (CCW) and fully closed when the electric actuator is fully Clockwise (CW). For three-way valves, the Port A and common port are fully open when the electric actuator is fully CCW, as shown in Figure 5. Port B and common port are fully open when the actuator is fully CW, as shown in Figure 6.

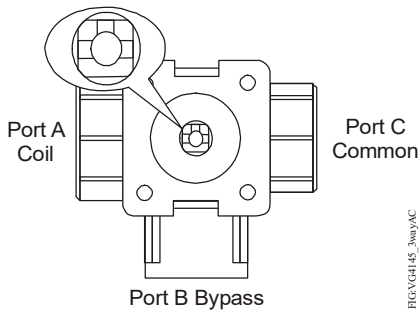


Figure 5: VG1841 or VG1845 Series Three-Way Ball Valve (Port A Connected to Port C)

Note: VG1841 and VG1845 three-way ball valves have a different port configuration (as shown in Figure 5 and Figure 6) from the older VG1644 Series three-way ball valves (Figure 7), and you must change the piping to convert them to the new series of valves.

For non-spring return and spring-to-open proportional control models in the direct-acting mode, a minimum control signal drives the electric actuator to the fully CCW position, whereas a maximum control signal drives the electric actuator to the fully CW position.

For spring-to-close proportional control models in the direct-acting mode, a minimum control signal drives the electric actuator to the fully CW position, whereas a maximum control signal drives the electric actuator to the fully CCW position.

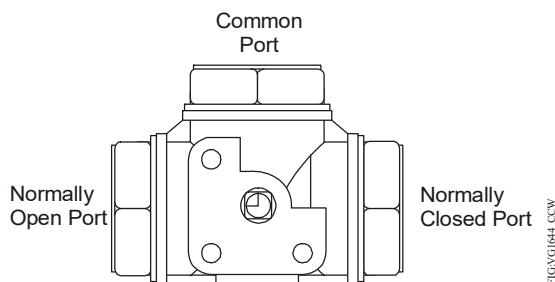


Figure 7: Top View of VG1644 Series Three-Way Ball Valve (Actuator Fully CCW)

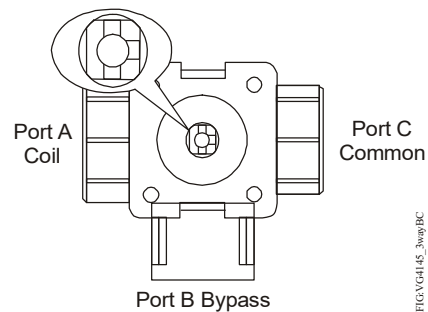


Figure 6: VG1841 or VG1845 Series Three-Way Ball Valve (Port B Connected to Port C)

For non-spring return floating or on/off (floating) control models, a control signal to Terminal 2 (or wire 2) of a VA9104, M(VA)910x, or M(VA)93xx Series Actuator drives the electric actuator to the fully CW position. Likewise, a control signal to Terminal 3 (or wire 3) of a VA9104, M910x, or M(VA)93xx Series Actuator drives the electric actuator to the fully CCW position.

A control signal to Wire 3 of side A mounted (away from the valve) VA9203 or VA9208 Series actuated spring-to-open floating control valve assembly drives the electric actuator to the fully CW position. Likewise, a control signal to Wire 4 of a floating CCW-face VA9203 Series or VA9208 Series Actuator, or removal of the control signal from Wire 3 of an on/off CCW-face VA9203 Series or VA9208 Series actuated spring-to-open valve assembly, drives the electric actuator to the fully CCW position.

A control signal to Wire 3 of a CW-face (mounted away from the valve) VA9203 Series or VA9208 Series actuated spring-to-close floating control valve assembly drives the electric actuator to the fully CCW position. Likewise, a control signal to Wire 4 of a floating CW-face VA9203 Series or VA9208 Series Actuator, or removal of the control signal from Wire 3 of an on/off CW-face VA9203 Series or VA9208 Series actuated spring-to-close valve assembly, drives the electric actuator to the fully CW position.

Electric Actuator Selection

VG1000 Series Ball Valves are designed for factory or field mounting to a variety of M9000 and VA9000 Series Actuators. VA9000 Series Actuators include all hardware necessary for attachment to the valve. M9000 Series Actuators require an additional linkage. See Table .

Note: To avoid excessive wear or drive time on the motor for VA9104 and M9104, models, use a controller and/or software that provides a timeout function to remove the signal at the end of rotation (stall). The IGx and GGx models have an auto shutoff to avoid excessive wear or drive time on the motor.

For more information on these electric actuator series as well as details on models available, refer to the following documents:

- *VA9104-xGA-2S, -3S Series Electric Non-Spring Return Valve Actuators Product Bulletin (LIT-12011050)*
- *M9104-xGA-2S, -3S Series Electric Non-Spring Return Actuators Product Bulletin (LIT-1201742)*
- *VA9203 Series Electric Spring Return Actuator Product Bulletin (LIT-12011702)*
- *VA9208 Series Electric Spring Return Actuator Product Bulletin (LIT-12011622)*

- *M(VA)9300 Series Electric Non-Spring Return Actuators Product Bulletin (LIT-12012069)*

Linkage Kit and Weather Shield Selection

The M9000-551 and M9000-561 Valve Linkage Kits and M9000-342 Weather Shield are designed specifically for field mounting Johnson Controls M(VA)9104 and M(VA)9300 Series Non-Spring Return and M(VA)9203 and M(VA)9208 Series Spring Return Electric Actuators to VG1000 Series Ball Valves.

For more information on the M9000-551 Linkage Kit, refer to the *M9000-551 Ball Valve Linkage Kit Installation Instructions (Part No. 34-636-1816)*.

For more information on the M9000-342 Weather Shield, refer to the *M9000-342 Valve Weather Shield Kit Installation Instructions (Part No. 34-636-2499)*.

For more information on the M9000-560 Ball Valve Linkage, refer to the *M9000-560 Ball Valve Linkage Kit and M9000-561 Thermal Barrier Installation Instructions (Part No. 34-636-2227)*.

Valid Ball Valve, Electric Actuator, Linkage Kit, and Weather Shield Combinations (for Assembly in the Field) (Part 1 of 3)

Valve Size, in. (DN)	Valve Code Numbers			Actuator Base Number ¹	Linkage Kit Code Number			Weather Shield
	NPT End Connection	Sweat End Connection	Press End Connection		Fluid Temperatures (<203°F [95°C])	Fluid Temperatures (<212°F [100°C])	Fluid Temperatures (≥212°F [100°C])	
1/2 (DN15)	VG1241Ax VG1841Ax		VG1291Ax VG1891Ax	VA9104 ²	None Required	Not Rated	Not Rated	M9000-342
				M9104 ²	M9000-551			
				VA9300	None Required			
				M9300	M9310-500			
				VA9203	None Required			
				M9203	M9000-560			
	VG1245Ax VG1845Ax	VG1275Ax VG1875Ax	VG1295Ax VG1895Ax	VA9104 ²	None Required		M9000-561	
				M9104 ²	M9000-551			
				VA9300	None Required			
				M9300	M9310-500			
				VA9203	None Required			
				M9203	M9000-560			

Valid Ball Valve, Electric Actuator, Linkage Kit, and Weather Shield Combinations (for Assembly in the Field) (Part 2 of 3)

Valve Size, in. (DN)	Valve Code Numbers			Actuator Base Number ¹	Linkage Kit Code Number			Weather Shield				
	NPT End Connection	Sweat End Connection	Press End Connection		Fluid Temperatures (<203°F [95°C])	Fluid Temperatures (<212°F [100°C])	Fluid Temperatures (≥212°F [100°C])					
3/4 (DN20)	VG1241Bx VG1841Bx		VG1291Bx VG1891Bx	VA9104 ²	None Required	Not Rated	Not Rated	M9000-342				
				M9104 ²	M9000-551							
				VA9300	None Required							
				M9300	M9310-500							
				VA9203	None Required							
				M9203	M9000-560							
	VG1245Bx VG1845Bx	VG1275Bx VG1875Bx	VG1295Bx VG1895Bx	VA9104 ²	None Required		M9000-561					
				M9104 ²	M9000-551							
				VA9300	None Required							
				M9300	M9310-500							
				VA9203	None Required							
				M9203	M9000-560							
									VA9104 ²	None Required		M9000-561
									M9104 ²	M9000-551		
			VA9300	None Required								
			M9300	M9310-500								
			VA9203	None Required								
			M9203	M9000-560								
1 (DN25)	VG1241Cx VG1841Cx	VG1271Cx VG1871Cx	VG1291Cx VG1891Cx	VA9104 ²	None Required	Not Rated	Not Rated	M9000-342				
				M9104 ²	M9000-551							
				VA9300	None Required							
				M9300	M9310-500							
				VA9203	None Required							
				M9203	M9000-560							
	VG1245Cx VG1845Cx	VG1275Cx VG1875Cx	VG1295Cx VG1895Cx	VA9104 ²	None Required		M9000-561					
				M9104 ²	M9000-551							
				VA9300	None Required							
				M9300	M9310-500							
				VA9203	None Required							
				M9203	M9000-560							
									VA9104 ²	None Required		M9000-561
									M9104 ²	M9000-551		
			VA9300	None Required								
			M9300	M9310-500								
			VA9203	None Required								
			M9203	M9000-560								
1-1/4 (DN32)	VG1241Dx VG1841Dx			VA9300	None Required	Not Rated	Not Rated	M9000-342				
				M9300	M9310-500							
				VA9208	None Required							
				M9208	M9000-550							
	VG1245Dx VG1845Dx				VA9300	None Required			M9000-561			
					M9300	M9310-500						
					VA9208	None Required						
					M9208	M9000-550						

Valid Ball Valve, Electric Actuator, Linkage Kit, and Weather Shield Combinations (for Assembly in the Field) (Part 3 of 3)

Valve Size, in. (DN)	Valve Code Numbers			Actuator Base Number ¹	Linkage Kit Code Number			Weather Shield
	NPT End Connection	Sweat End Connection	Press End Connection		Fluid Temperatures (<203°F [95°C])	Fluid Temperatures (<212°F [100°C])	Fluid Temperatures (≥212°F [100°C])	
1-1/2 (DN40)	VG1241Ex VG1841Ex			VA9300	None Required	Not Rated	Not Rated	M9000-342
				M9300	M9310-500			
				VA9208	None Required			
				M9208	M9000-550			
	VG1245Ex VG1845Ex			VA9300	None Required	M9000-561		
				M9300	M9310-500			
				VA9208	None Required			
				M9208	M9000-550			
2 (DN50)	VG1241Fx VG1841Fx			VA9300	None Required	Not Rated	Not Rated	M9000-342
				M9300	M9310-500			
				VA9208	None Required			
				M9208	M9000-550			
	VG1245Fx VG1845Fx			VA9300	None Required	M9000-561		
				M9300	M9310-500			
				VA9208	None Required			
				M9208	M9000-550			

1. VA9104, M9104, VA9300, and M9300 Series Actuators are non-spring return, and VA9203, M9203, VA9208, and M9208 Series Actuators are spring return. Note: VA9104, M9104, VA9300, M9300, VA9203, M9203, VA9208, and M9208 have a maximum fluid temperature limit of 212°F (100°C) unless used with the M9000-561 Thermal Barrier.
2. To avoid excessive wear or drive time on the motor for VA9104 and M9104 use a controller and/or software that provides a timeout function to remove the signal at the end of rotation (stall). The IGx and GGx models have an automatic shutoff to avoid excessive wear or drive time on the motor.

See Figure 8 for dimension drawings of the Non-Spring Return VA9104 Series Actuated VG1241, VG1245, VG1841, and VG1845 Series NPT End Connection Ball Valves. See Table 41 and Table 42 for specific model linkage dimensions.

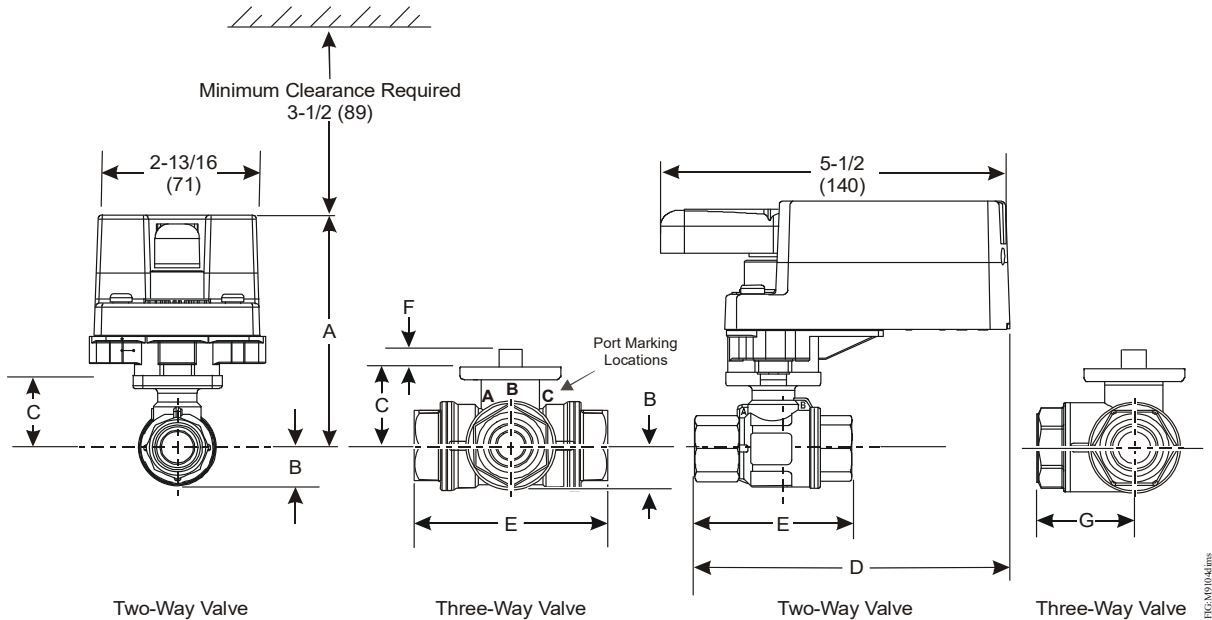


Figure 8: VA9104 Actuated VG1241, VG1245, VG1841, and VG1845 Series Ball Valve with NPT End Connections Dimensions, in. (mm)

Table 41: VA9104 or M9104 Actuated VG1241, VG1245, VG1841, and VG1845 Series Ball Valve Dimensions, in. (mm)

Valve Size, in. (DN) ¹	A	B	C	D	E	F	G
1/2 (DN15)	3-7/8 (98)	21/32 (17)	1-7/32 (31)	5-7/64 (129)	2-33/64 (64)	11/32 (9)	1-1/4 (32)
3/4 (DN20)	3-7/8 (98)	21/32 (17)	1-7/32 (31)	5-7/32 (133)	2-51/64 (71)	11/32 (9)	1-13/32 (36)
1 (DN25)	3-11/16 (100)	3/4 (19)	1-19/64 (33)	5-9/16 (141)	3-13/32 (87)	11/32 (9)	1-11/16 (43)

1. Port A must always be connected to the coil.

Table 42: VA9104 Actuated VG1275 and VG1875 Series Ball Valve with Sweat End Connections and VA9104 Actuated VG1295 and VG1895 Series Ball Valves with Press End Connections Dimensions, in. (mm)

Valve Size, in. (DN) ¹	A	B	C	D	E	F	G
1/2 (DN15)	3-7/8 (98)	21/32 (17)	1-7/32 (31)	5-45/64 (145)	3-25/32 (96)	11/32 (9)	2-13/16 (55)
3/4 (DN20)	3-7/8 (98)	21/32 (17)	1-7/32 (31)	5-57/64 (150)	4-3/32 (104)	11/32 (9)	2-15/32 (62)
1 (DN25)	3-15/16 (100)	3/4 (19)	1-19/64 (33)	6-1/8 (156)	4 21/32 (118)	11/32 (9)	2-27/32 (72)

1. Port A must always be connected to the coil.

See Figure 9 for dimensions of the Non-Spring Return VA9104 Series Actuated VG1241, VG1245, VG1841, and VG1845 Series NPT End Connection Ball Valve with optional M9000-561 Thermal Barrier installed. See Table 43 for specific model dimensions.

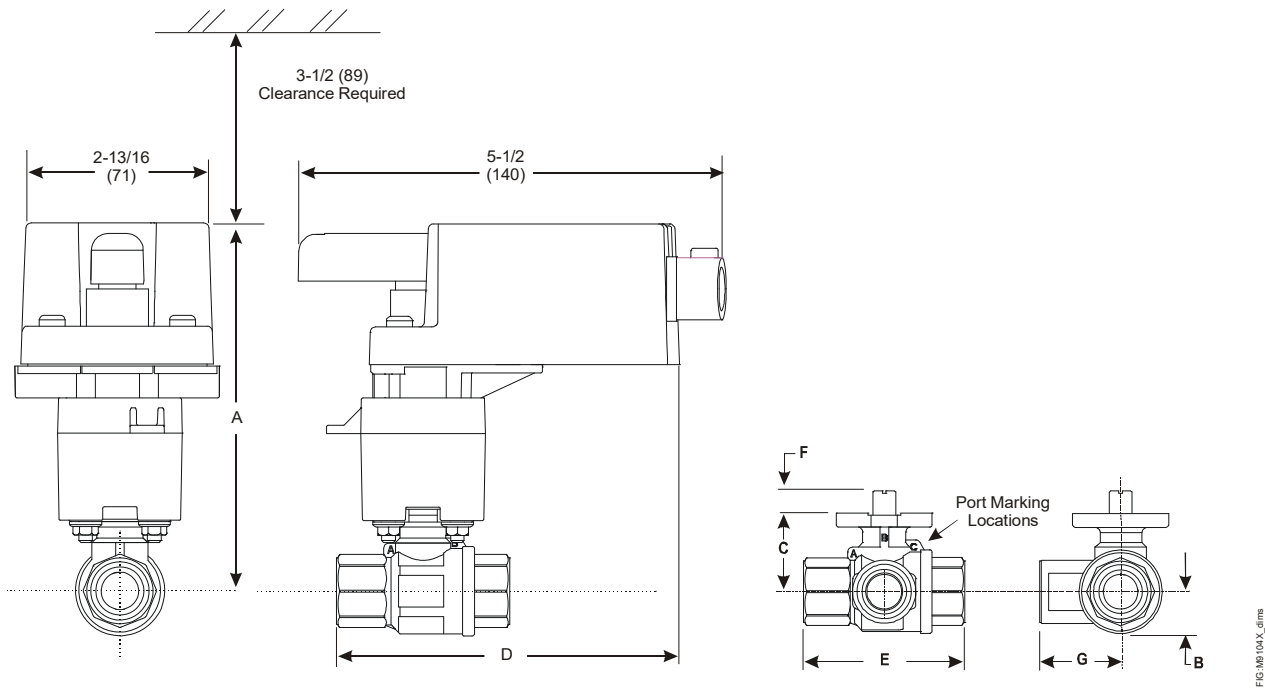


Figure 9: VA9104 Actuated VG1241, VG1245, VG1841, and VG1845 Series Ball Valve with NPT End Connections with Optional M9000-561 Thermal Barrier Dimensions, in. (mm)

Table 43: VA9104 Actuated VG1241, VG1245, VG1841, and VG1845 Series NPT Ball Valves with Optional M9000-561 Thermal Barrier Installed Dimensions, in. (mm)

Valve Size, in. (DN) ¹	A	B	C	D	E	F	G
1/2 (DN15)	5-11/32 (135)	21/32 (17)	1-7/32 (31)	5-45/64 (145)	3-25/32 (96)	11/32 (9)	1-1/4 (32)
3/4 (DN20)	5-11/32 (135)	21/32 (17)	1-7/32 (31)	5-57/64 (150)	4-3/32 (104)	11/32 (9)	1-13/32 (36)
1 (DN25)	5-27/64 (137)	3/4 (19)	1-19/64 (33)	6-1/8 (156)	4-41/64 (118)	11/32 (9)	1-45/46 (43)

1. On models with the flow-characterizing disk, the disk is located in Port A. Port A must be the inlet.

See Figure 10 for dimensions of the Spring Return VA9203 Series Actuated VG1241, VG1245, VG1841, and VG1845 Series NPT End Connection Ball Valves. See Table 44 and Table 45 for specific model linkage dimensions.

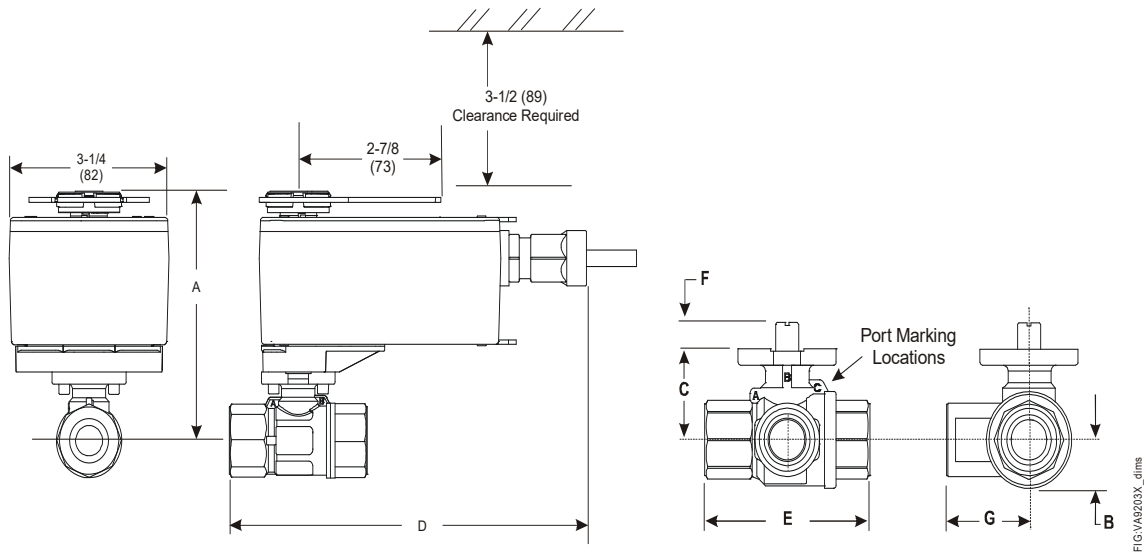


Figure 10: VA9203 Actuated VG1241, VG1245, VG1841, and VG1845 Series Ball Valve with NPT End Connections Dimensions, in. (mm)

Table 44: VA9203 Actuated VG1241, VG1245, VG1841, and VG1845 Series Ball Valve with NPT End Connections Dimensions, in. (mm)

Valve Size, in. (DN) ¹	A	B	C	D	E	F	G
1/2 (DN15)	4-1/4 (108)	21/32 (17)	1-7/32 (31)	6-23/32 (171)	2-33/64 (64)	11/32 (9)	1-1/4 (32)
3/4 (DN20)	4-1/4 (108)	21/32 (17)	1-7/32 (31)	6-7/8 (175)	2-51/64 (71)	11/32 (9)	1-13/32 (36)
1 (DN25)	4-9/32 (109)	3/4 (19)	1-19/64 (33)	7-7/64 (181)	3-13/32 (87)	11/32 (9)	1-45/64 (43)

1. Port A must always be connected to the coil.

Table 45: VA9203 Actuated VG1271, VG1275, VG1871, and VG1875 Series Sweat Ball Valve and VA9203 Actuated VG1291, VG1295, VG1891, and VG1895 Series Press Ball Valve Dimensions, in. (mm)

Valve Size, in. (DN) ¹	A	B	C	D	E	F	G
1/2 (DN15)	4-5/8 (117)	21/32 (17)	1-7/32 (31)	7-13/64 (183)	3-25/32 (96)	11/32 (9)	1-1/4 (32)
3/4 (DN20)	4-5/8 (117)	21/32 (17)	1-7/32 (31)	7-3/4 (197)	4-3/32 (104)	11/32 (9)	1-13/32 (36)
1 (DN25)	4-11/16 (119)	3/4 (19)	1-19/64 (33)	8-3/16 (208)	4-41/64 (118)	11/32 (9)	1-45/64 (43)

1. Port A must always be connected to the coil.

See Figure 11 for dimensions of the VA9203 Spring Return Series Actuated VG1241, VG1245, VG1841, and VG1845 Series NPT End Connection Ball Valves with optional M9000-561 Thermal Barrier installed. See Table 46 for specific model linkage dimensions.

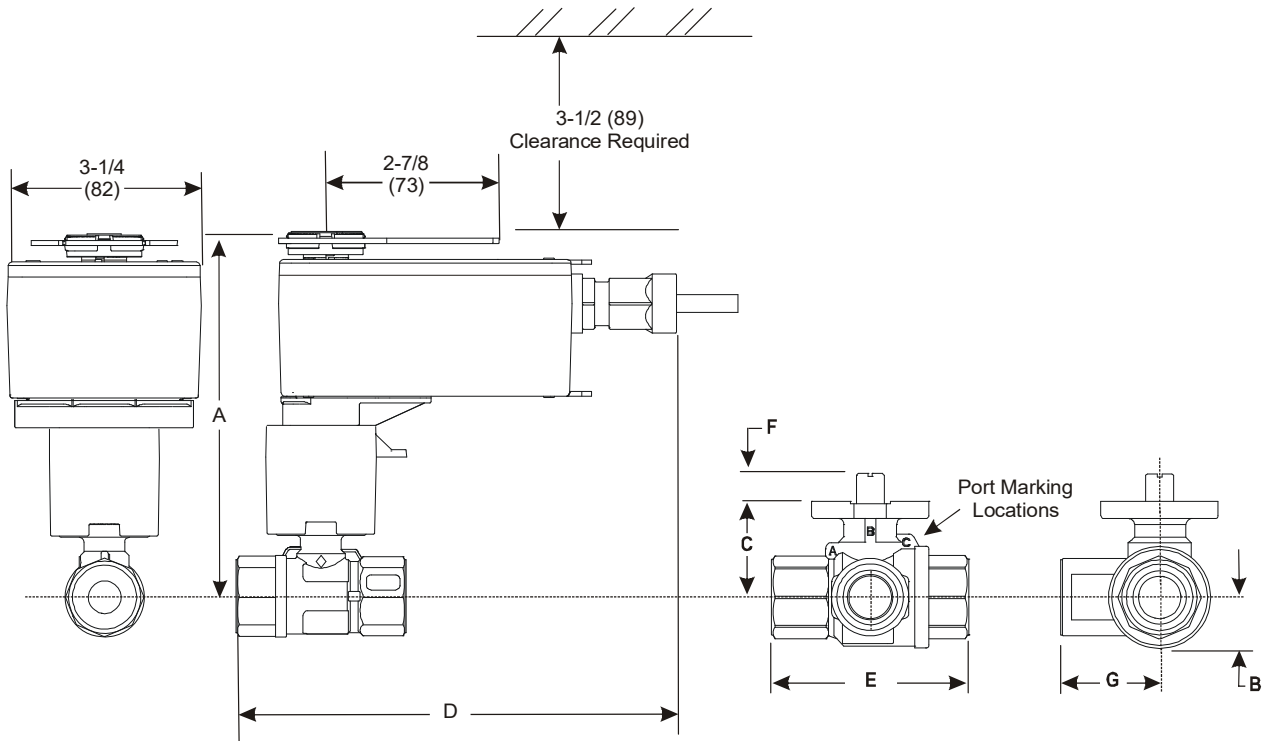


Figure 11: Spring Return VA9203 Actuated VG1241, VG1245, VG1841, and VG1845 Series Ball Valve with Optional M9000-561 Thermal Barrier Installed Dimensions, in. (mm)

Table 46: VA9203 Actuated VG1241, VG1245, VG1841, and VG1845 Series NPT Ball Valve with Optional Thermal Barrier Installed Dimensions, in. (mm)

Valve Size in. (DN) ¹	A	B	C	D	E	F	G
1/2 (DN15)	6 (152)	21/32 (17)	1-7/32 (31)	6-31/32 (177)	2-33/64 (64)	11/32 (9)	1-1/4 (32)
3/4 (DN20)	6 (152)	21/32 (17)	1-7/32 (31)	7-1/8 (181)	2-51/64 (71)	11/32 (9)	1-13/32 (36)
1 (DN25)	6-1/16 (154)	3/4 (19)	1-19/64 (33)	7-31/64 (190)	3-13/32 (87)	11/32 (9)	1-45/64 (43)

1. Port A must always be connected to the coil.

See Figure 12 for dimensions of the Non-Spring Return VA9300 Actuated VG1241, VG1245, VG1841, and VG1845 Series Ball Valve. See Table 47 for specific model linkage dimensions.

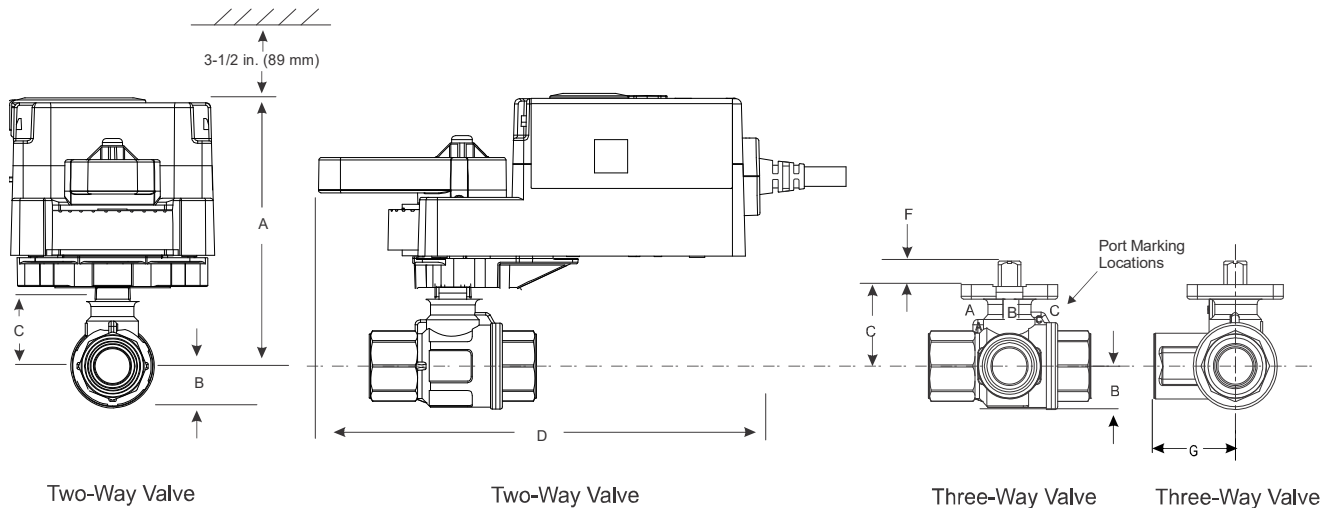


Figure 12: Non-Spring Return VA9300 Actuated VG1241, VG1245, VG1841, and VG1845 Series Ball Valve Dimensions, in. (mm)

Table 47: VA9300 Actuated VG1241, VG1245, VG1841, and VG1845 Series Ball Valve Dimensions, in. (mm)

Valve Size, in. (DN)	A	B	C	D	E	F	G
1/2 (DN15)	4-3/8 (111)	21/32 (17)	1-7/32 (31)	6-13/32 (163)	2-33/64 (64)	11/32 (9)	1-1/4 (32)
3/4 (DN20)	4-3/8 (111)	21/32 (17)	1-7/32 (31)	6-13/32 (163)	2-51/64 (71)	11/32 (9)	1-13/32 (36)
1 (DN25)	4-7/16 (113)	3/4 (19)	1-5/16 (33)	6-13/32 (163)	3-13/32 (87)	11/32 (9)	1-45/64 (43)
1-1/4 (DN32)	4-7/8 (124)	1-1/32 (26)	1-23/32 (44)	6-13/32 (163)	3-15/16 (100)	11/32 (9)	1-31/32 (50)
1-1/2 (DN40)	5-1/32 (128)	1-1/8 (29)	1-7/8 (48)	6-13/32 (163)	4-21/64 (110)	11/32 (9)	2-11/64 (55)
2 (DN50)	5-1/4 (133)	1-15/32 (37)	2-1/16 (53)	6-13/32 (163)	4-27/32 (123)	11/32 (9)	2-27/64 (62)

See Figure 13 for dimensions of the Non-Spring Return VA9300 Actuated VG1241, VG1245, VG1841, and VG1845 Series Ball Valve with a M9300-2 Switch Kit
 See Table 48 for specific model linkage dimensions.

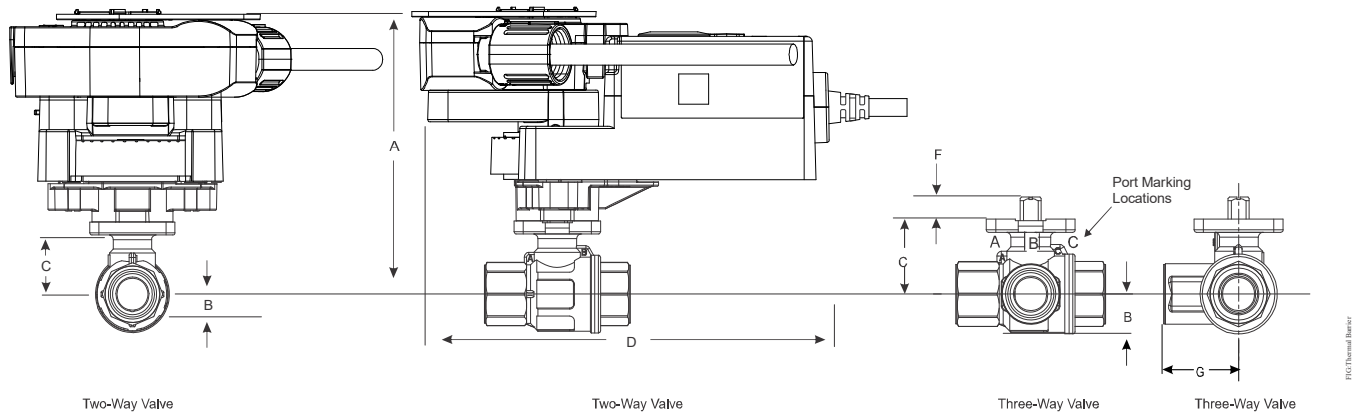


Figure 13: Non-Spring Return VA9300 Actuated VG1241, VG1245, VG1841, and VG1845 Series Ball Valve with M9300-2 Switch Kit Dimensions, in. (mm)

Table 48: VA9300 Actuated VG1241, VG1245, VG1841, and VG1845 Series Ball Valve with M9000-2 Switch Kit Dimensions, in. (mm)

Valve Size, in. (DN)	A	B	C	D	E	F	G
1/2 (DN15)	4-3/4 (120.7)	21/32 (17)	1-7/32 (31)	6-21/32 (169)	2-33/64 (64)	11/32 (9)	1-1/4 (32)
3/4 (DN20)	4-3/4 (120.7)	21/32 (17)	1-7/32 (31)	6-21/32 (169)	2-51/64 (71)	11/32 (9)	1-13/32 (36)
1 (DN25)	4-21/25 (122.7)	3/4 (19)	1-5/16 (33)	6-21/32 (169)	3-13/32 (87)	11/32 (9)	1-45/64 (43)
1-1/4 (DN32)	5-1/4 (133.7)	1-1/32 (26)	1-23/32 (44)	6-21/32 (169)	3-15/16 (100)	11/32 (9)	1-31/32 (50)
1-1/2 (DN40)	5-3/7 (137.7)	1-1/8 (29)	1-7/8 (48)	6-21/32 (169)	4-21/64 (110)	11/32 (9)	2-11/64 (55)
2 (DN50)	5-5/8 (142.7)	1-15/32 (37)	2-1/16 (53)	6-21/32 (169)	4-27/32 (123)	11/32 (9)	2-27/64 (62)

See Figure 14 for dimensions of the Non-Spring Return VA9300 Actuated VG1241, VG1245, VG1841, and VG1845 Series Ball Valve with Optional M9000-561 Thermal Barrier. See Table 49 for specific model linkage dimensions.

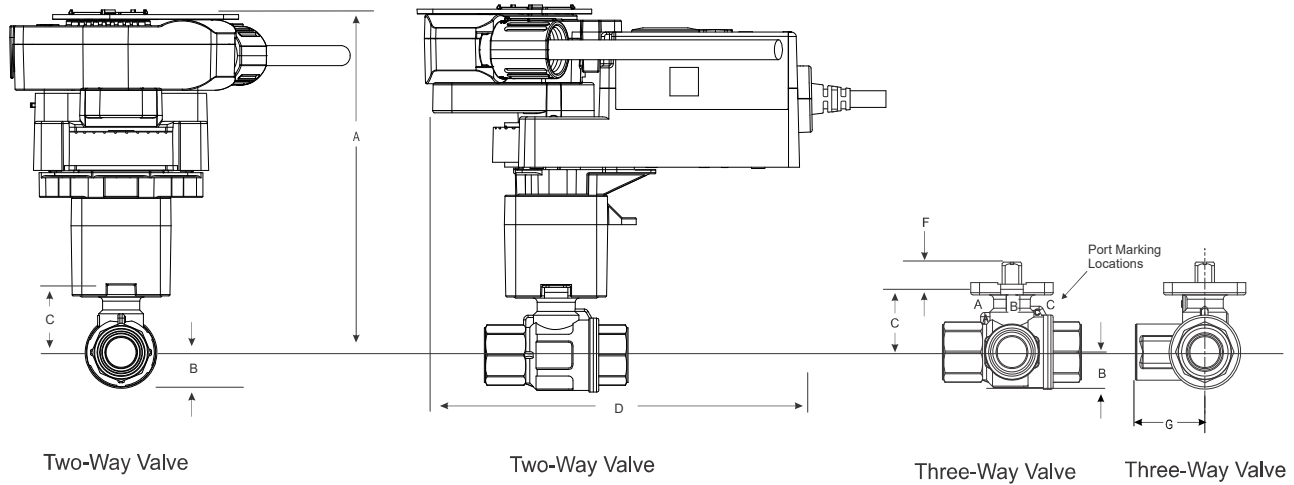


Figure 14: Non-Spring Return VA9300 Actuated VG1241, VG1245, VG1841, and VG1845 Series Ball Valve with Optional M9000-561 Thermal Barrier Dimensions, in. (mm)

Table 49: VA9300 Actuated VG1241, VG1245, VG1841, and VG1845 Series Ball Valve with Optional M9000-561 Thermal Barrier Dimensions, in. (mm)

Valve Size, in. (DN)	A	B	C	D	E	F	G
1/2 (DN15)	5-3/4 (146)	21/32 (17)	1-7/32 (31)	6-13/32 (163)	2-33/64 (64)	11/32 (9)	1-1/4 (32)
3/4 (DN20)	5-3/4 (146)	21/32 (17)	1-7/32 (31)	6-13/32 (163)	2-51/64 (71)	11/32 (9)	1-13/32 (36)
1 (DN25)	5-13/16 (148)	3/4 (19)	1-5/16 (33)	6-13/32 (163)	3-13/32 (87)	11/32 (9)	1-45/64 (43)
1-1/4 (DN32)	6-1/4 (159)	1-1/32 (26)	1-23/32 (44)	6-13/32 (163)	3-15/16 (100)	11/32 (9)	1-31/32 (50)
1-1/2 (DN40)	6-13/32 (163)	1-1/8 (29)	1-7/8 (48)	6-13/32 (163)	4-21/64 (110)	11/32 (9)	2-11/64 (55)
2 (DN50)	6-5/8 (168)	1-15/32 (37)	2-1/16 (53)	6-13/32 (163)	4-27/32 (123)	11/32 (9)	2-27/64 (62)

See Figure 15 for dimensions of the Non-Spring Return VA9300 Actuated VG1241, VG1245, VG1841, and VG1845 Series Ball Valve with Optional M9000-561 Thermal Barrier and M9300-2 Switch Kit. See Table 50 for specific model linkage dimensions.

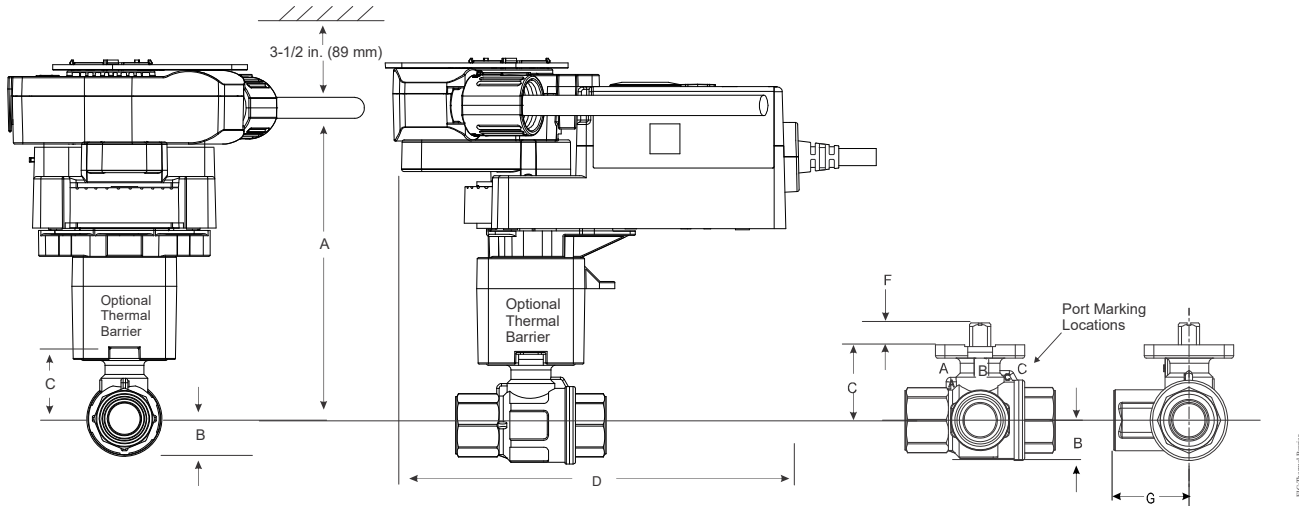


Figure 15: Non-Spring Return VA9300 Actuated VG1241, VG1245, VG1841, and VG1845 Series Ball Valve with Optional M9000-561 Thermal Barrier and M9000-2 Switch Kit Dimensions, in. (mm)

Table 50: VA9300 Actuated VG1241, VG1245, VG1841, and VG1845 Series Ball Valve with Optional M9000-561 Thermal Barrier and M9300-2 Switch Kit Dimensions, in. (mm)

Valve Size, in. (DN)	A	B	C	D	E	F	G
1/2 (DN15)	6-3/25 (155.7)	21/32 (17)	1-7/32 (31)	6-21/32 (169)	2-33/64 (64)	11/32 (9)	1-1/4 (32)
3/4 (DN20)	6-3/25 (155.7)	21/32 (17)	1-7/32 (31)	6-21/32 (169)	2-51/64 (71)	11/32 (9)	1-13/32 (36)
1 (DN25)	6-1/5 (157.7)	3/4 (19)	1-5/16 (33)	6-21/32 (169)	3-13/32 (87)	11/32 (9)	1-45/64 (43)
1-1/4 (DN32)	6-16/25 (168.7)	1-1/32 (26)	1-23/32 (44)	6-21/32 (169)	3-15/16 (100)	11/32 (9)	1-31/32 (50)
1-1/2 (DN40)	6-4/5 (172.7)	1-1/8 (29)	1-7/8 (48)	6-21/32 (169)	4-21/64 (110)	11/32 (9)	2-11/64 (55)
2 (DN50)	6 (177.2)	1-15/32 (37)	2-1/16 (53)	6-21/32 (169)	4-27/32 (123)	11/32 (9)	2-27/64 (62)

See Figure 16 for dimensions of the Spring Return VA9208 Actuated VG1241, VG1245, VG1841, and VG1845 Series NPT End Connection Ball Valves. See Table 51 for specific model linkage dimensions.

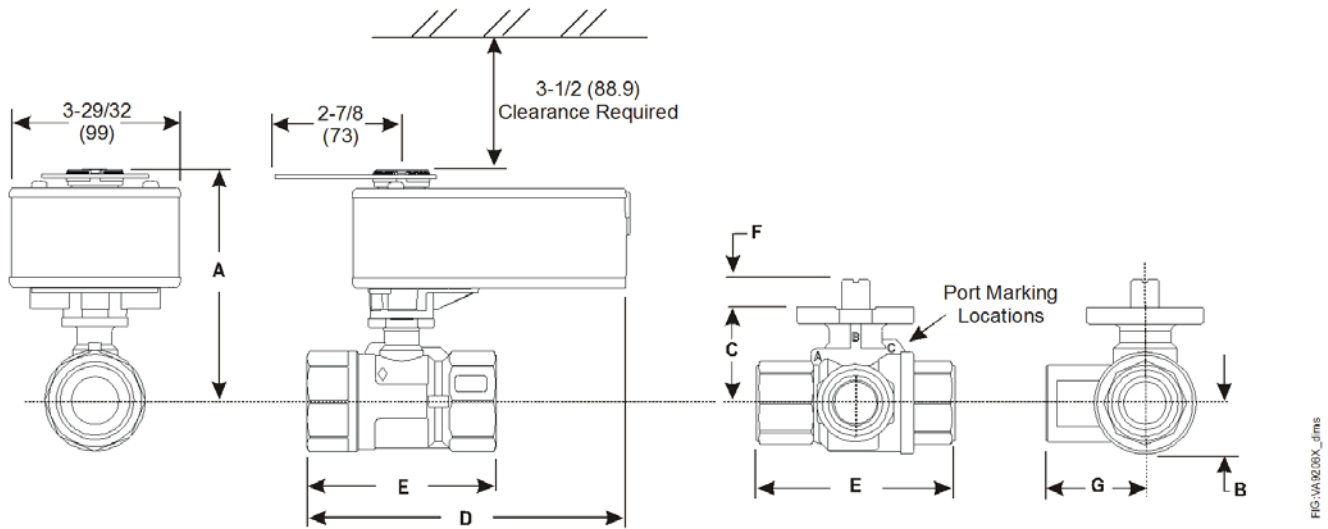


Figure 16: Spring Return VA9208 Actuated VG1241, VG1245, VG1841, and VG1845 Series Ball Valve Dimensions, in. (mm)

Table 51: VA9208 Actuated VG1241, VG1245, VG1841, and VG1845 Series Ball Valve Dimensions, in. (mm)

Valve Size in. (DN)	Valve Style ¹	A	B	C	D	E	F	G
1-1/4 (DN32)	All	7-11/16 (195)	1-1/32 (26)	1-23/32 (44)	7-5/32 (182)	3-15/16 (100)	11/32 (9)	1-31/32 (50)
1-1/2 (DN40)	All	7-7/8 (200)	1-9/64 (29)	1-57/64 (48)	7-3/8 (187)	4-21/64 (110)	11/32 (9)	2-11/64 (55)
2 (DN50)	2-way	8-1/32 (204)	1-15/32 (37)	2-1/8 (54)	7-19/32 (193)	4-27/32 (123)	11/32 (9)	2-27/64 (62)
	3-way				7-7/8 (200)			

1. Port A must always be connected to the coil.

See Figure 17 for dimensions of the Spring Return VA9208 Actuated VG1241, VG1245, VG1841, and VG1845 Series NPT End Connection Ball Valves with M9000-561 Thermal Barrier. See Table 52 for specific model linkage dimensions.

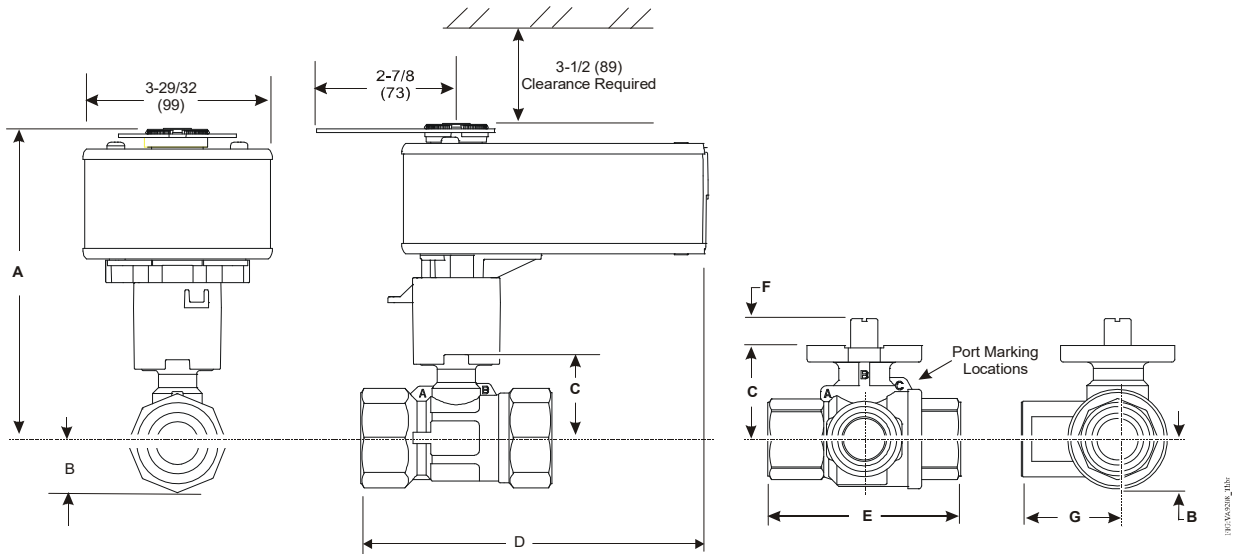


Figure 17: Spring Return VA9208 Actuated VG1241, VG1245, VG1841, and VG1845 Series Ball Valve with Optional M9000-561 Thermal Barrier Installed Dimensions, in. (mm)

Table 52: VA9208 Actuated VG1241, VG1245, VG1841, and VG1845 Series Ball Valve with Optional M9000-561 Thermal Barrier Installed Dimensions, in. (mm)

Valve Size in. (DN) ¹	Valve Style	A	B	C	D	E	F	G
1-1/4 (DN32)	All	9-17/64 (235)	1-1/32 (26)	1-23/32 (44)	7-1/4 (184)	3-15/16 (100)	11/32 (9)	1-31/32 (50)
1-1/2 (DN40)	All	9-15/16 (240)	1-9/64 (29)	1-57/64 (48)	7-7/16 (189)	4-21/64 (110)	11/32 (9)	2-11/64 (55)
2 (DN50)	2-way	9-31/32 (244)	1-15/32 (37)	2-1/8 (54)	7-11/16 (195)	4-27/32 (123)	11/32 (9)	N/A
	3-way				7-7/8 (200)			2-27/64 (62)

1. Port A must always be connected to the coil.

Technical Specifications

VG1000 Series Forged Brass Ball Valves for Assembly in the Field

Service¹		Hot Water, Chilled Water, 50/50 Glycol Solutions, and 15 psig (103 kPa) Saturated Steam ² for HVAC Systems
Fluid Temperature Limits	Water	VG12x1 and VG18x1 Series: 23 to 203°F (-5 to 95°C) VG12x5 and VG18x5 Series: -22 to 284°F (-30 to 140°C)
	Steam²	VG12x1 and VG18x1 Series: Not Rated for Steam Service VG12x5 and VG18x5 Series: 15 psig (103 kPa) at 250°F (121°C)
Maximum Actuator Fluid Temperature Limits	212°F (100°C)	VA9104, VA9300, VA9203, VA9208
	284°F (140°C)	VA9104, VA9300, VA9203, VA9208 with M9000-561 Thermal Barrier
Valve Body Pressure Rating	Water	VG1241, VG1245, VG1841, and VG1845 Series: 580 psig (4,000 kPa) (PN40), 464 psig (3,196 kPa) at 284°F (140°C) (PN40)
		VG1275 and VG1875 Series: 300 psig (2,067 kPa)
		VG1295 and VG1895 Series: 300 psig (2,067 kPa)
	Steam²	15 psig (103 kPa) Saturated Steam
Maximum Closeoff Pressure	VG12x1 and VG12x5 Series:	200 psid (1,378 kPa)
Maximum Recommended Operating Pressure Drop		50 psid (340 kPa)
Flow Characteristics	Two-Way	Equal Percentage
	Three-Way	Equal Percentage Flow Characteristics of In-Line Port (Coil) and Linear Flow Characteristics of Angle Port (Bypass)
Rangeability³		Greater than 500:1
Minimum Ambient Operating Temperature	-4°F (-20°C)	VA9104 Series Non-Spring Return Actuators
	-22°F (-30°C)	VA9203 and VA9300 Series Spring Return Actuators
	-40°F (-40°C)	VA9208 Series Spring Return Actuators
Maximum Ambient Operating Temperature² (Limited by the Actuator and Linkage)	140°F (60°C)	VA9104 and VA9300 Series Non-Spring Return Actuators VA9203 and VA9208 Series Spring Return Actuators
Leakage		0.01% of Maximum Flow per ANSI/FCI 70-2, Class 4 1% of Maximum Flow for Three-Way Bypass Port
End Connections		NPT: 1/2 through 2 in. Sweat: 1/2 through 1 in. (DN15 through DN25) Press (ProPress® Compatible): 1/2 through 1 in. (DN15 through DN25)
Materials	Body	Forged Brass
	Ball	VG12x1 and VG18x1 Series: Chrome Plated Brass
		VG12x5 and VG18x5 Series: 300 Series Stainless Steel
	Blowout-Proof Stem	VG12x1 and VG18x1 Series: Nickel Plated Brass
		VG12x5 and VG18x5 Series: 300 Series Stainless Steel
	Seats	Graphite-Reinforced PTFE with EPDM O-Ring Backing
Stem Seals	EPDM Double O-Rings	
Characterizing Disk	AMODEL® AS-1145HS Polyphthalamide Resin	
Compliance CRN		For NPT threaded valves with Stainless Steel Ball (VG1x45...): 0C16910.5C

1. Refer to the VDI 2035 Guideline for recommended proper water treatment.

2. In steam applications, install the valve with the stem horizontal to the piping and wrap the valve and piping with insulation.

3. Rangeability is defined as the ratio of maximum controllable flow to minimum controllable flow.

The performance specifications are nominal and conform to acceptable industry standards. For application at conditions beyond these specifications, consult the local Johnson Controls office. Johnson Controls, Inc. shall not be liable for damages resulting from misapplication or misuse of its products.

Product warranty

This product is covered by a limited warranty, details of which can be found at www.johnsoncontrols.com/buildingswarranty.

Patents

Patents: <http://icpat.com>

Single point of contact

APAC	Europe	NA/SA
JOHNSON CONTROLS C/O CONTROLS PRODUCT MANAGEMENT NO. 32 CHANGJIJANG RD NEW DISTRICT WUXI JIANGSU PROVINCE 214028 - CHINA	JOHNSON CONTROLS WESTENDHOF 3 45143 ESSEN GERMANY	JOHNSON CONTROLS 507 E MICHIGAN ST MILWAUKEE WI 53202 USA

Contact information

Contact your local branch office: www.johnsoncontrols.com/locations

Contact Johnson Controls: www.johnsoncontrols.com/contact-us



Building Technologies & Solutions

Headquarters: Milwaukee, Wisconsin, USA

Branch Offices: Principal Cities World-wide

Johnson Controls® are registered trademarks of Johnson Controls.

All other marks herein are the marks of their respective owners.

© Copyright 2020 Johnson Controls. All rights reserved. Any unauthorized use or copying is strictly prohibited.