

### Product Description

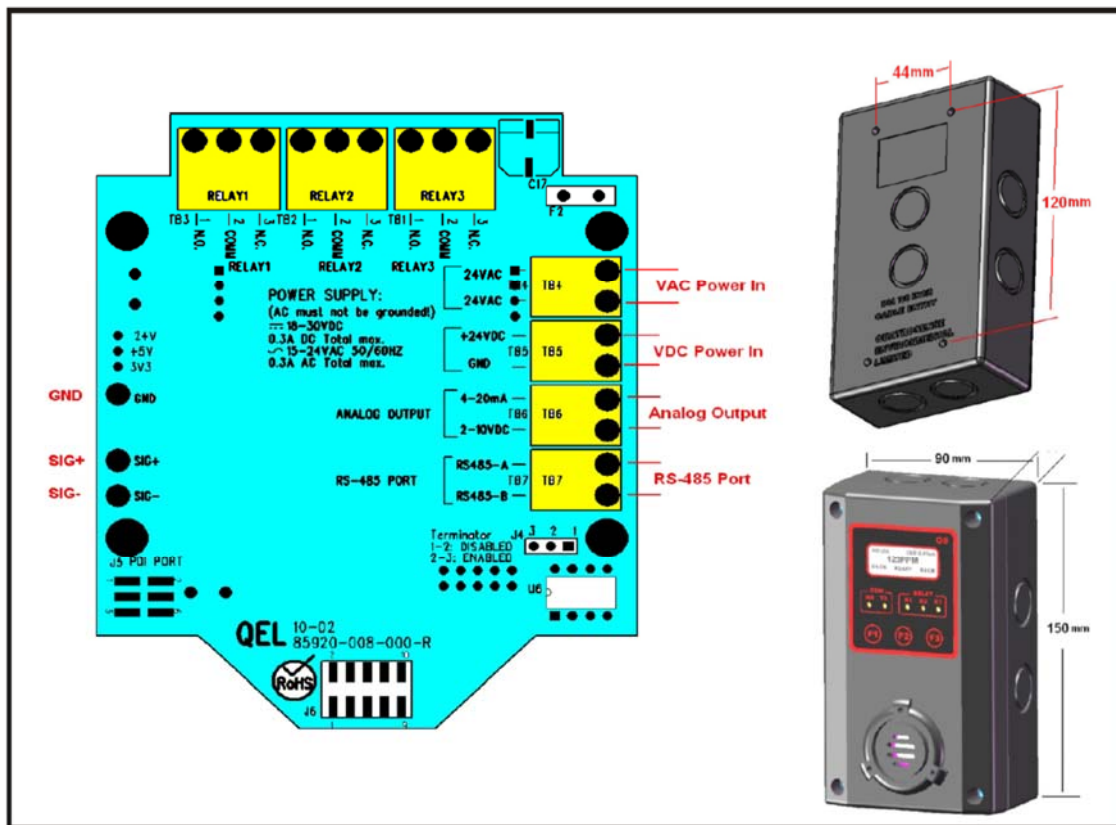
The Q5-NO2-10P-0-X is a microprocessor based "smart" nitrogen dioxide gas sensor/transmitter. Pre-calibrated sensor cartridges can be purchased and installed by the user, thereby reducing calibration costs and minimizing downtime. The user can select from numerous display options, including relay status, time, TWA, STEL, concentration, or nothing at all. All programming and calibration is nonproprietary and is accessed through a user selectable password which protects system integrity.

The Q5 series is covered by ACI's Two (2) Year Limited Warranty. The warranty can be found in the front of ACI's Sensors & Transmitters catalog, as well as on ACI's web site, [www.workaci.com](http://www.workaci.com)



### Product Specifications

- Supply Voltage AC:** 15 to 24 Vac, 0.3A ac max. (AC must not be grounded)
- Supply Voltage DC:** 18 to 30 Vdc, 0.3A dc max.
- Sensor Type:** NO2, Electromechanical, 0-10 PPM
- Sensor Life Span:** 2 to 3 years typical (toxic gas), >5 years in clean environment
- Operating Temp. Range:** -4 to 122°F (-20 to 50°C)
- Operating Humidity:** 5 to 95%, non-condensing
- Operating Environment:** Commercial, indoor, extreme temperature environments
- Outputs:** Analog: 4-20 mA, 1-5 Vdc, 2-10 Vdc, Digital RS-485, Modbus 3 SPDT relays; 1A @ 30Vdc
- Sampling Method:** Diffusion or flow through
- Visual Indicators:** Backlit LCD graphic display, (5) LED's for Relay and RS-485 status
- Audible Alarm:** >80 dB at 10 cm, 2700 Hz with 3 programmable tones
- Sensor Coverage Area:** 7500 ft<sup>2</sup>
- Enclosure:** IP66 and NEMA 4, 4X, 12 and 13
- Dimensions:** 5.9" (H) x 3.4" (W) x 2.55" (D)
- Weight:** Less than 0.5 lbs



Specifications are subject to change without notice.