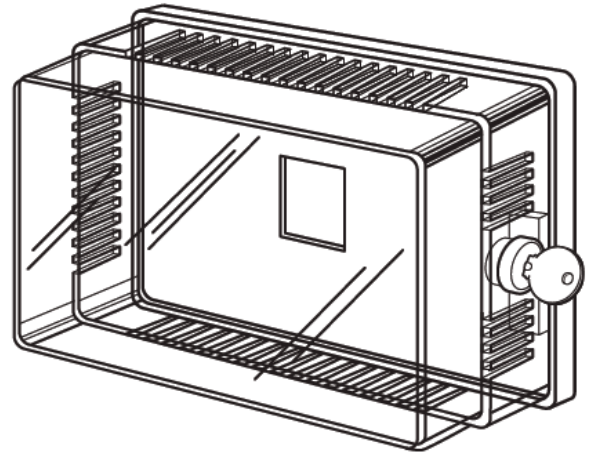


Application

The TG-L thermostat locking guard provides the protection needed to deter tampering and reduce damage from impacts. It is made from strong durable plastic and is perfect for the office or rental properties. This locking guard limits unwanted access and eliminates accidental fluctuations when someone bumps into the thermostat.

Features

- Fits all thermostats
- Limits Unwanted Access
- One Key Included
- Tamper Resistant
- Strong, durable plastic



Construction

Dimensions:	5 3/4" (146mm) H x 9 1/2" (240mm) W x 4" (100mm) D
Enclosure Body:	Strong, durable plastic
Finish:	Transparent
Vents:	Vented on all 4 sides
Latch:	Single point latch with keyed lock