



Submittal Data Information

007e® ECM High-Efficiency Circulator

101-177

Effective: August 16, 2021

Supersedes: March 5, 2021

Job: _____ Engineer: _____ Contractor: _____ Rep: _____

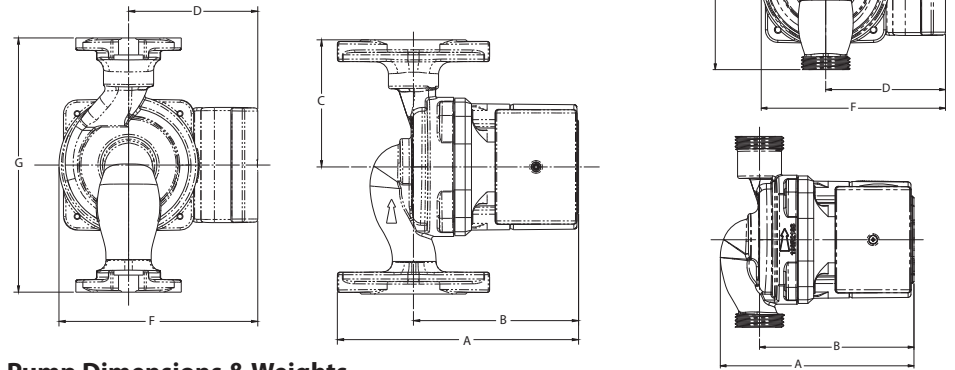
ITEM NO.	MODEL NO.

Specifications

- Max. Shut-off Head: 10 feet
- Max. Flow: 16 gpm
- Max. Operating Pressure:
 - Cast Iron: 125 psi (8.6 bar)
 - Stainless Steel: 150 psi (10 bar)
- Max. Water Temp: 230°F (110°C)
- Min. Water Temp: 36°F (2°C)
- Electrical specifications:
 - Voltage: 120V, 60 Hz
 - Single phase
 - Max. Operating Power: 44W
 - Max. AMP Rating: 0.54
- Cast iron casing suitable for closed loop systems only
- Stainless steel casing suitable for potable water and open loop systems
- Not suitable for chilled water
- Taco circulator pumps are for indoor use only
- Acceptable for use with water or maximum of 50% water/glycol solution

Applications

The 007e is a high-efficiency wet rotor circulator with an ECM permanent magnet motor. Its ECM performance is equivalent to the legendary 007 circulator. It is ideal for hydronic systems zoned with circulators or zone valves or used on potable water systems for domestic water recirculation. The 007e is not suitable for chilled water systems.



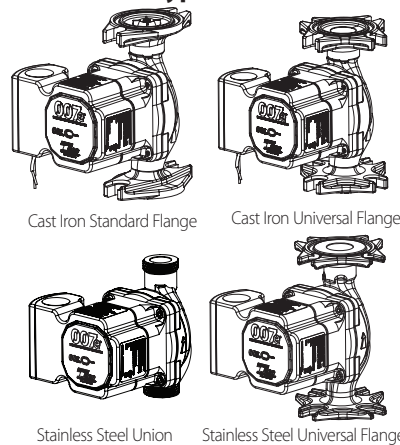
Pump Dimensions & Weights

Model Number	Connection Type	Casing	A		B		C		D		F		G		Ship Wt.	
			in.	mm	in.	mm	in.	mm	in.	mm	in.	mm	in.	mm	lbs.	Kg
007e-2F2	Standard	CI	6	152	4-1/8	104	3-3/16	80	3-1/4	82	5	126	6-3/8	161	5.8	2.6
007e-2F4	Universal	CI	6	152	4-1/8	104	3-3/16	80	3-1/4	82	5	126	6-3/8	161	6	3.7
007e-SF4	Universal	SS	6	152	4-1/8	104	3-3/16	80	3-1/4	82	5	126	6-3/8	161	5.5	2.5
007e-SU	Union	SS	5-1/6	131	4-1/8	104	3-3/16	80	3-1/4	82	5	126	5-1/8	130	4.6	2.1

Materials of Construction:

Casing:Cast Iron or
Stainless Steel
Stator Housing:Composite
Cartridge:Composite
Impeller:Composite
Shaft:Ceramic
Bearings:Carbon
Thrust Bearing:Ceramic
O-Ring & Gaskets:EPDM

Connection Types



Model #: 007e
CIRCULATOR PUMP CEI: 0.48 (ER 187)
ENERGY RATING
 168 187
 Most Consumptive RANGE Least Consumptive

Note: The ER value is dependent on the selected control. Multiple options may be available on this pump, as follows:
 • Full Speed
 • Pressure (Rated)

Power savings (watts) over a baseline case can be estimated by multiplying the ER by WAIP and multiplying by 7.46. Multiplying power savings by operating hours and cost of energy will yield estimated cost savings.

QJXEB7 er.pumps.org Apr 2021

Electrical Data

Model	Volts	Hz	Ph	Max. Amps	Max. Watts	RPM
All Models	120	60	1	.54	44	1590-4830
Motor Type	ECM, Permanent Magnet, Thermally Protected					



Certified to NSF/ANSI 61 & 372

Stainless Steel models only

Taco Comfort Solutions® A Taco Family Company

Taco, Inc., 1160 Cranston Street, Cranston, RI 02920 | Tel: (401) 942-8000 | FAX: (401) 942-2360

Taco (Canada), Ltd., 8450 Lawson Road, Suite #3, Milton, Ontario L9T 0J8 | Tel: (905) 564-9422 | FAX: (905) 564-9436

Visit our web site: www.TacoComfort.com | ©2021 Taco, Inc.

