



# Replacement Parts List

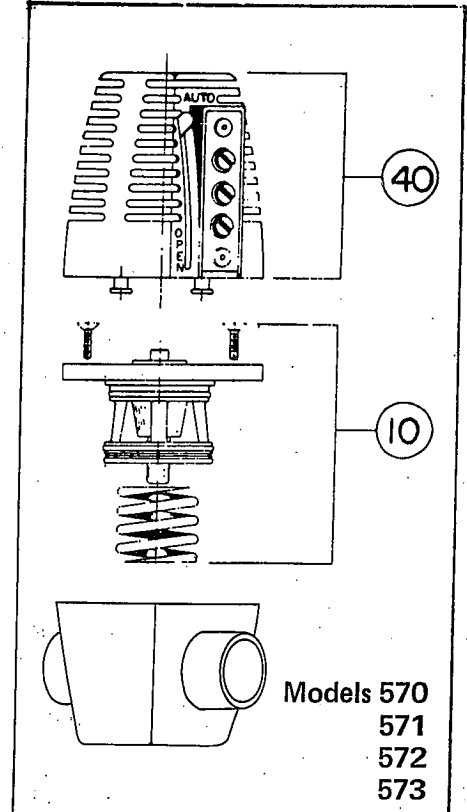
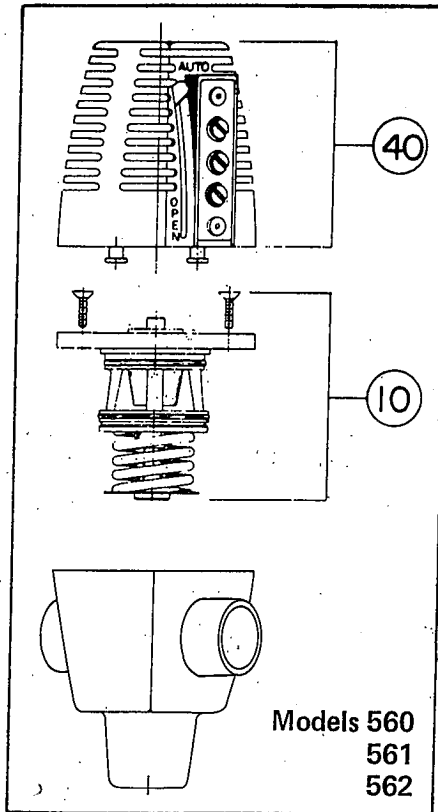
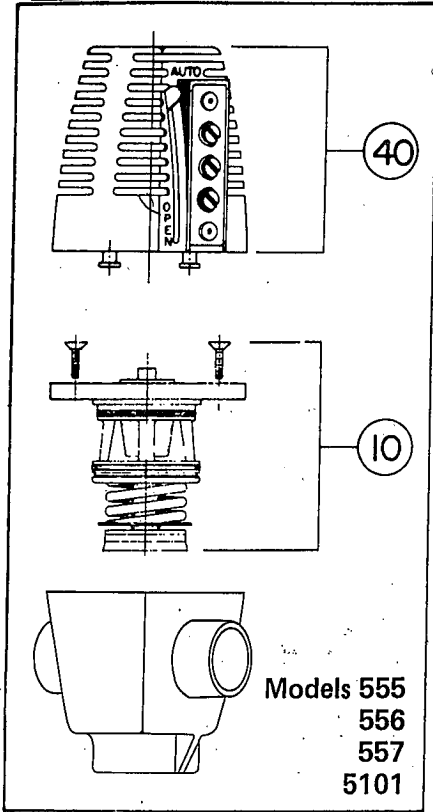
104-005

## Zone Valves

SUPERSEDES: 104-005 dated April 15, 1987

EFFECTIVE: February 1, 2000

FOR LIST PRICES REFER TO SHEET RPPS100-1.



PRODUCT NUMBER	DESCRIPTION	ITEM #10 VALVE AND SEAT ASSEMBLY	ITEM #40 POWER UNIT
555-2	1/2"		
556-2	3/4" 2 WAY VALVE 125PSI	555-055RP	555-050RP
557-2	1"		
556-G2*	3/4"		
557-G2*	1" 2 WAY VALVE 125PSI	5101-002RP	555-173RP
5101-G2*	3/4"	<i>gland 5101-003RP</i>	
560-2	1/2"		
561-2	3/4" 3 WAY VALVE 125PSI		555-151RP
562-2	1"		
560-3 & M-3	1/2"		
561-3 & M-3	3/4" 3 WAY VALVE 125PSI	562-007RP	555-151RP
562-3 & M-3	1"		
560-4 & M-4	1/2"		
561-4 & M-4	3/4" 3 WAY VALVE 125PSI	562-007RP	555-154RP
562-4 & M-4	1"		
560-5	1/2"		
561-5	3/4" 3 WAY VALVE 125PSI	562-015RP	555-154RP
562-5	1"		
570-2	1/2"		
571-2	3/4"		
572-2	1" 2 WAY VALVE 125PSI	571-004RP	555-050RP
573-2	1 1/4"		