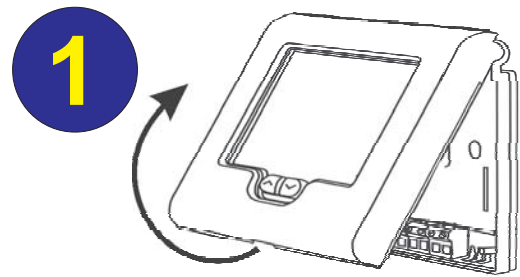
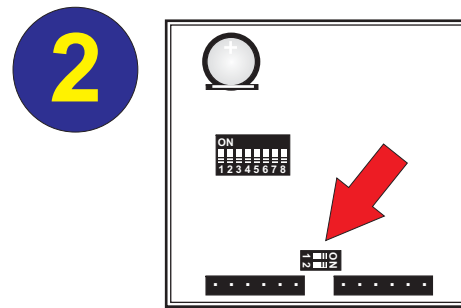


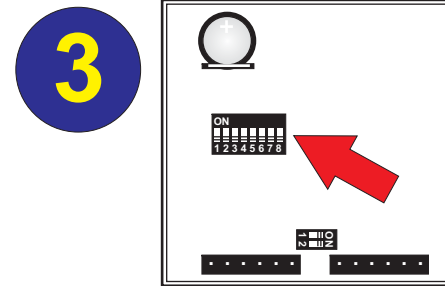
WEB COMFORT™ Quick Installation and Startup Guide



1 Insert a small coin (dime) in the release slot located on the bottom of the thermostat and gently twist the coin to release the thermostat from the subbase.



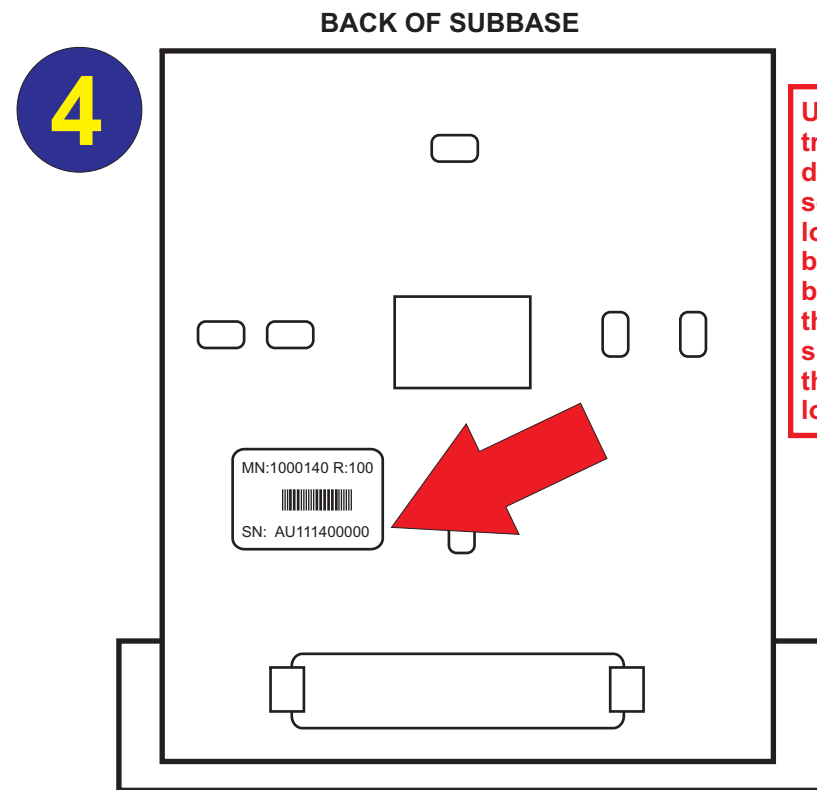
2 Turn the two Modbus configuration slide switches to ON.



Set the system slide switches to match the HVAC equipment application:

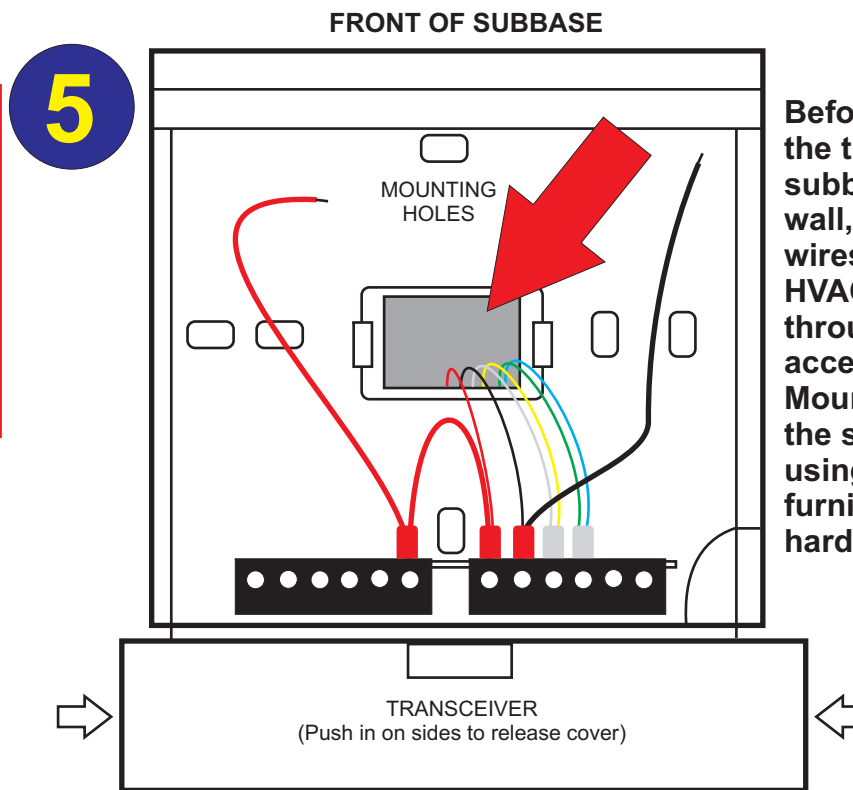
HVAC SYSTEM	SLIDE SWITCH SETTING							
1 HEAT / 1 COOL	1=OFF	2=OFF	3=OFF	4=OFF	5=ON	6=OFF	7=OFF	8=ON
2 HEAT / 2 COOL	1=OFF	2=OFF	3=ON	4=OFF	5=ON	6=OFF	7=OFF	8=ON
2 HEAT / 1 COOL	1=OFF	2=ON	3=OFF	4=OFF	5=ON	6=OFF	7=OFF	8=ON
HEAT PUMP (O)*	1=OFF	2=ON	3=OFF	4=OFF	5=ON	6=OFF	7=OFF	8=ON
3 HEAT / 2 COOL	1=OFF	2=ON	3=ON	4=OFF	4=ON	6=OFF	7=OFF	8=ON
HEAT PUMP (O)*	1=OFF	2=ON	3=ON	4=OFF	4=ON	6=OFF	7=OFF	8=ON

* For heat pump systems that energize the reversing valve on a call for heating (B), turn switch 4 ON.
SWITCH 6 MUST BE OFF AND SWITCH 8 MUST BE ON



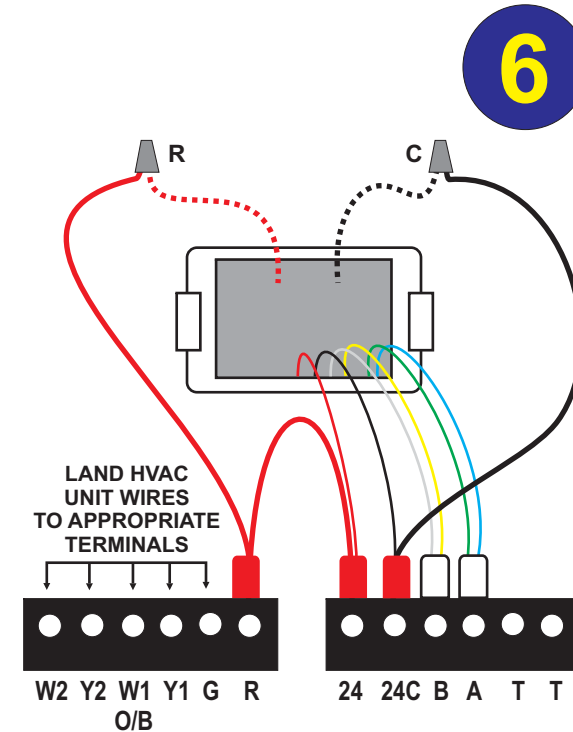
BACK OF SUBBASE

Use the provided transceiver log to document the serial number located below the bar code on the back of the thermostat subbase. Also note the thermostat location.



FRONT OF SUBBASE

Before mounting the thermostat subbase to the wall, pull the wires from the HVAC unit through the wire access hole. Mount and level the subbase using the furnished hardware.

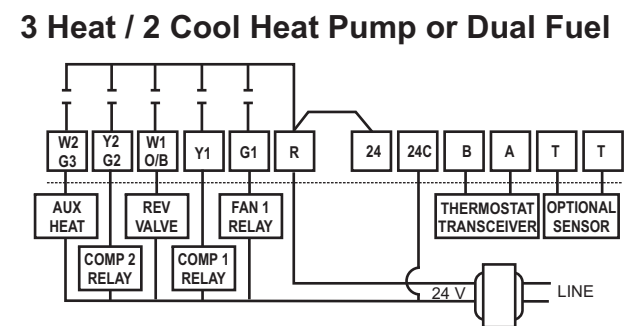
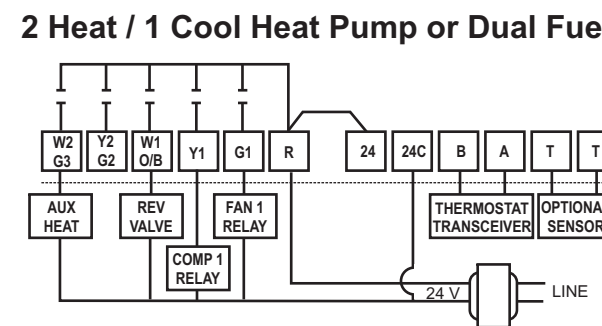
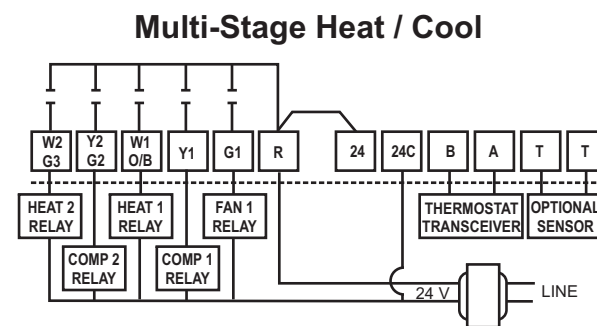
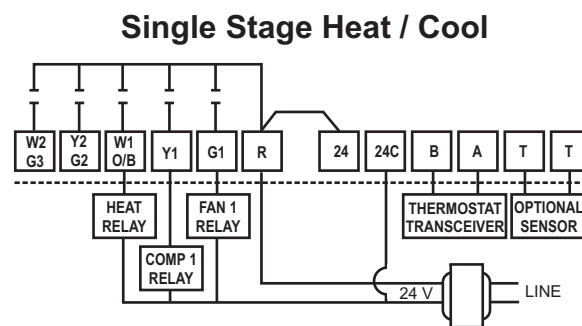


6 To simplify installation, the transceiver comes pre-wired to the thermostat terminals with leads for the HVAC unit 24 Volt hot and common. Use wire connectors to secure each lead to the HVAC unit 24V 'R' and 24V 'C' wires. Land the remaining HVAC unit wires to their proper terminals. Dress all wires so that they do not come in contact with the thermostat PC board.

The HVAC 24 Volt power must be OFF during wiring!

7

Land the remaining HVAC wires to the thermostat terminals based on the specific equipment configuration. If an indoor or outdoor remote sensor is used, wire the sensor to the T T terminals. The sensor wiring must be a separate 18-2 cable and should not exceed 200' in length from the sensor to the thermostat.



8

After all wiring is landed, attached the thermostat to the subbase and apply 24 Volt power.

9

Refer to the thermostat Installation Manual for Advanced Installer settings that might be required for the specific equipment applications as well as confirming that the baud rate is set at 19.2 and the Modbus address is set at 01.

WEB COMFORT™ Quick Installation and Startup Guide

10

The Energy Manager should be mounted near an Ethernet port which may be located on a wall or at the router. The Energy Manager also needs to be plugged into a 120 Volt 50/60 Hz outlet.

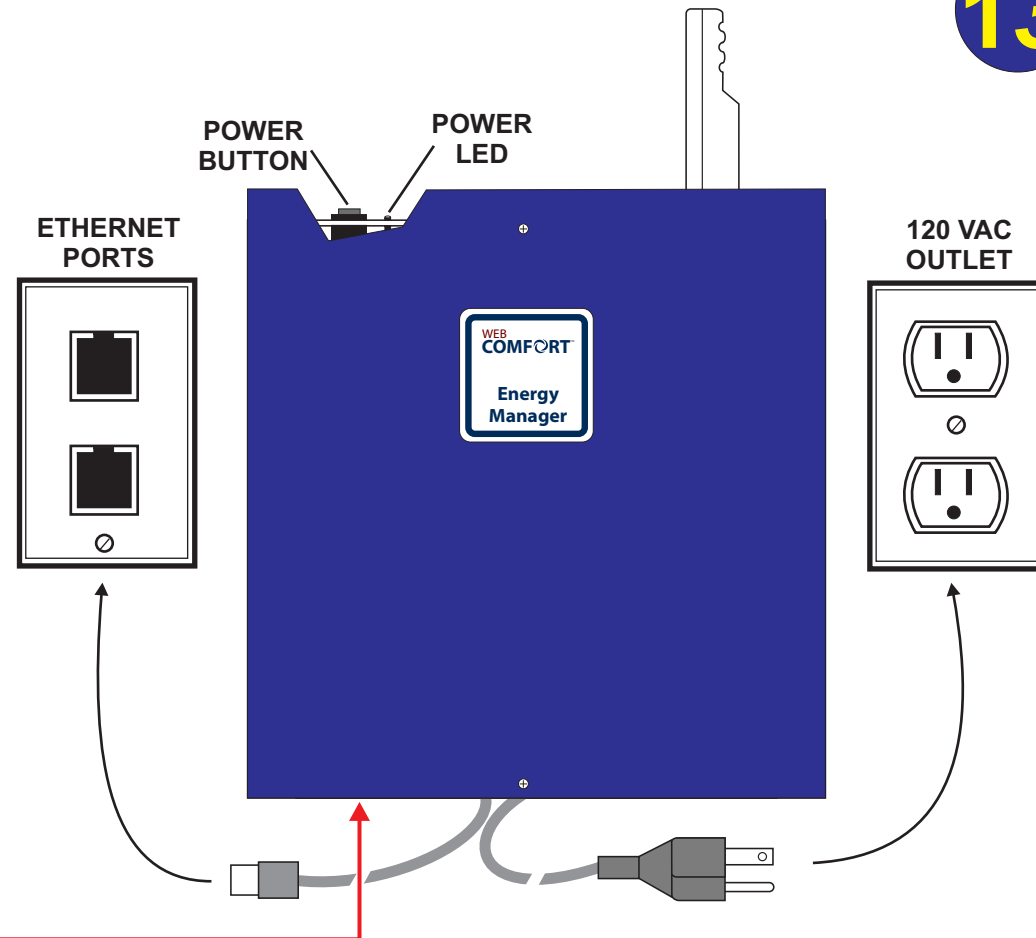
11

After removing the cover, position and secure the antenna using the conduit nut attached to the antenna wire. Make sure that the antenna is positioned as shown in the illustration. Mount the Energy Manager on a vertical surface that is close to both the 120 VAC outlet and Ethernet ports and replace the cover.

12

Plug the power cord into a 120 VAC outlet. Before plugging in the Ethernet cable, confirm that the ports are live.

The serial number is located on the bottom of the Energy Manager. Document the serial number as this will be required when provisioning the system.

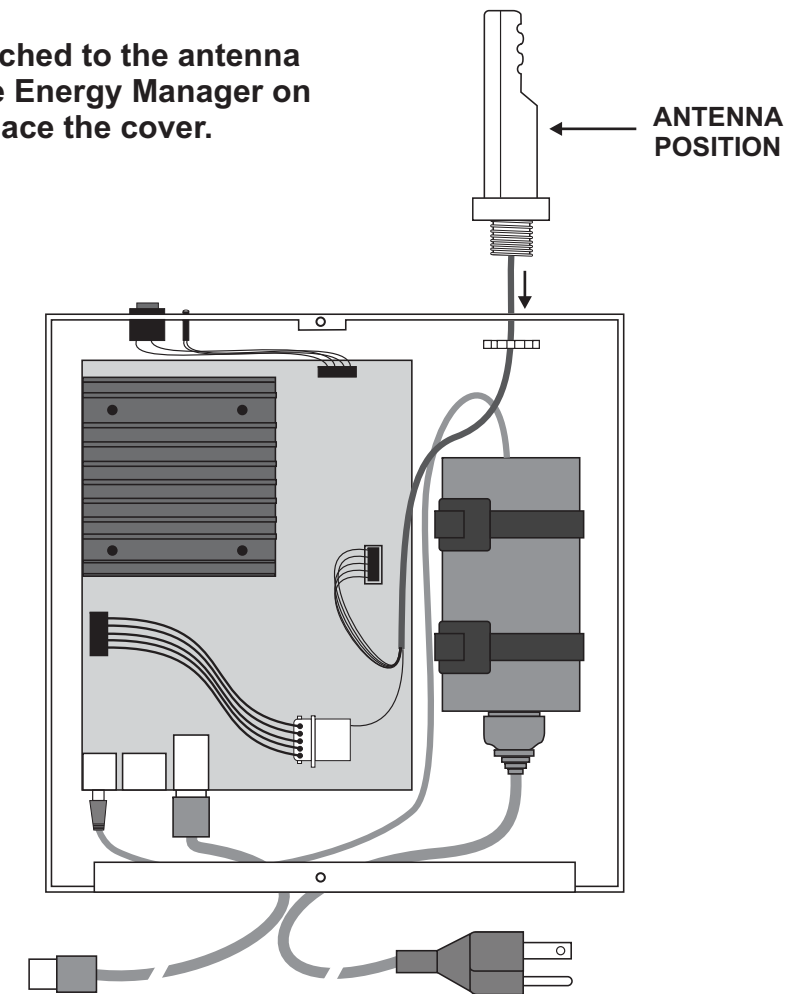


13

PRE-STARTUP CHECKLIST

1. Power up all thermostats.
2. Power up the Energy Manager.
3. Confirm that Energy Manager to plugged into a live internet port.
4. If a firewall is blocking the Energy Manager from communicating to the internet, make sure the following ports are open. These ports need to be open for communication. These are UDP ports and they are outbound.
 - a. 54260
 - b. 59368
 - c. 59369

An IT professional may be required to open ports.



14

TESTING THE ENERGY MANAGER INTERNET CONNECTION

1. Go to www.mywebcomfort.net.
2. In the “Log” box, enter the following:
 - a. the serial number which is located on the bottom of the Energy Manager.
 - b. “admin” for password
3. Click “Log in”.
4. If asked to change your user name, click “Remind me later”.

15

COMMUNICATIONS CONFIRMATION

1. Communications is confirmed if under Status the word “Active” is displayed.
2. If the word “Error” is displayed, internet communications is not connected. Revisit 15 of the Installation Guide.

WEB COMFORT™

Status	Alerts	Premise	Address	kWh	\$/kWh	SqFt	Live Link
Active	0	Customer Location	Location Address	0	0.00	0	

JACKSON SYSTEMS
Controls Done Right™

5418 Elmwood Avenue, Indianapolis, IN 46203-6025
Toll Free: 888.652.9663 Fax: 317.227.1034
www.jacksonsystems.com