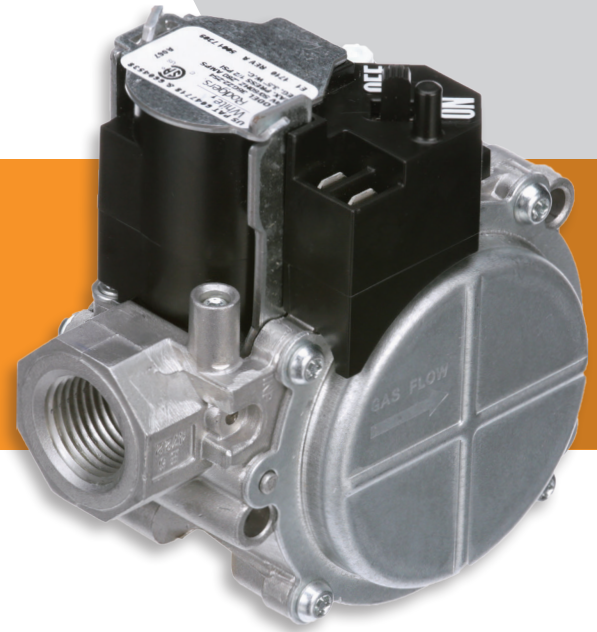


36G-36J Series Electronic Ignition Gas Valves

80% of furnaces made in the past
15 years can be serviced with six
36J Gas Valve models



Trusted by more OEMs

White-Rodgers is the largest gas valve
manufacturer in North America

More OEMs use White-Rodgers than any
other brand



Ease of Installation

Quick connect spade terminals

Most models include LP conversion kit

Reducer bushing kit included on most
models

DID YOU KNOW?

36J series gas valves
replace over 500 models.

FEATURES:

- Convertible - natural or LP gas
- Adjustable regulator(s)
- Inlet/outlet screens
- Built-in pressure taps
- Electric on-off switch
- Quick connect spade terminals
- Tamper resistant screws and controlled gasket compression to withstand high inlet pressures

SPECIFICATIONS:

Electrical Rating

.28 Amps (Single Stage)

.43 Amps (Two-Stage)

Operating Voltage

24 Vac 50/60 Hz

Temperature Operating Range

-40° to 175° F (-40° to 79° C)

Maximum Pressure Rating

1/2" PSI 14.0" WC

Inlet & Outlet Pressure Taps

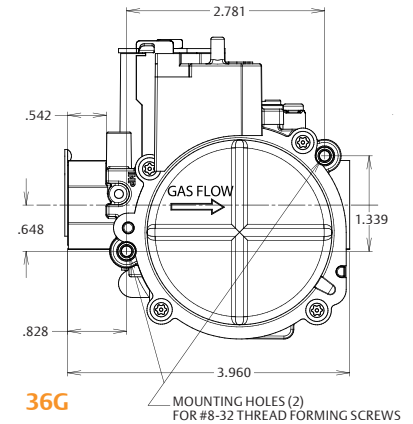
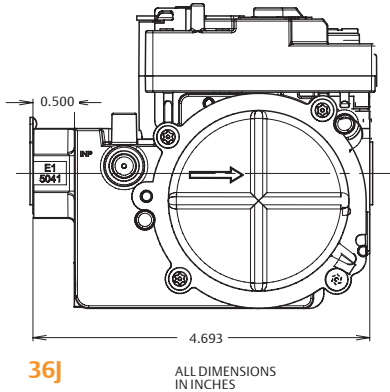
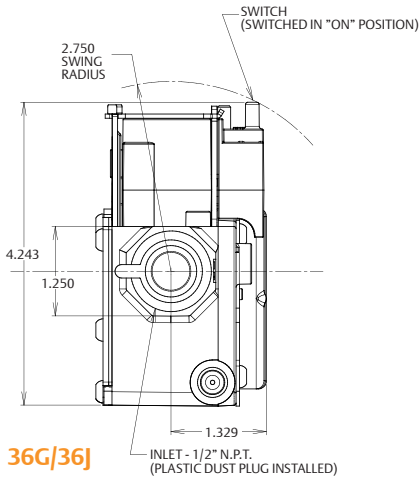
1/8" NPT

Mounting

Multipoise

Agency Approvals

CSA



Valve (Stages)	Pipe Size	1" Pressure Drop Capacity		Range of Regulation	
		BTU/HR		BTU/HR	
		Std. Gas .64 Sp. Gr. (1000 Btu/ft ³)	LP Gas 1.53 Sp. Gr. (2500 Btu/ft ³)	Std Gas .64 Sp. Gr. (1000 Btu/ft ³)	LP Gas 1.53 Sp. Gr. (2500 Btu/ft ³)
Single	1/2" x 1/2"	140,000	226,800	20,000-210,000	65,000-340,000
Two	1/2" x 1/2"	140,000	226,800	20,000-210,000	65,000-340,000
Modulating	1/2" x 1/2"	140,000	226,800	40,000-210,000	65,600-340,000

WR MOBILE APP

Answers at your fingertips, with your smartphone or tablet.



Voltage	Stages / Opening	Pipe Size	Regulator Setting	Natural Gas Adj. Range (WC)	Lp Gas Adj. Range (WC)	LP Kit Incl.	Reducer Bushing Kit	Flow Direction	Inlet / Outlet Pressure Tap	HSI / DSI	Intermittent / Proven Pilot	Flange Mount Capable	Model Number	Item Number
24 Vac 50/60Hz	1 - Stage Fast Open	1/2" X 1/2"	3.5"	2.5"-5.0"	7.0"-12.0"	No**	No	Str. Thru	Yes / Yes*	Yes	No	No	36G22-254	36G22-254
24 Vac 50/60Hz	1 - Stage Fast Open	1/2" X 1/2"	3.5"	2.5"-5.0"	7.0"-12.0"	Yes	No	Str. Thru	Yes / Yes* NPT & Towers	Yes	Yes	Yes	36G32-500	36G32-500
24 Vac 50/60Hz	1 - Stage Slow Open	1/2" X 1/2"	3.5"	2.5"-5.0"	7.0"-12.0"	Yes	No	Str. Thru	Yes / Yes* NPT & Towers	Yes	Yes	Yes	36G33-500	36G33-500
24 Vac 50/60Hz	1 - Stage Fast Open	1/2" X 1/2"	3.5"	2.5"-5.0"	7.0"-12.0"	Yes	Yes	Str. Thru	Yes / Yes	Yes	No	No	36J22-214	36J22-214
24 Vac 50/60Hz	1 - Stage Slow Open	1/2" X 1/2"	3.5"	2.5"-5.0"	7.0"-12.0"	Yes	Yes	Str. Thru	Yes / Yes	Yes	No	No	36J24-214	36J24-214
24 Vac 50/60Hz	Modulating	1/2" X 1/2"	3.5"	0.4"-4.0"	1.3"-11.5"	Yes	Yes	Str. Thru	Yes / Yes	Yes	No	No	36J27-554	36J27-554
24 Vac 50/60Hz	2 - Stage Fast Open	1/2" X 1/2"	1.5" Low 3.5" High	1.0"-4.0" Low 2.0"-5.0" High	4.0"-10.0" Low 6.0"-12.0" High	Yes	Yes	Str. Thru	Yes / Yes*	Yes	No	No	36J54-214	36J54-214
24 Vac 50/60Hz	2 - Stage Slow Open	1/2" X 1/2"	1.5" Low 3.5" High	1.0"-4.0" Low 2.0"-5.0" High	4.0"-10.0" Low 6.0"-12.0" High	Yes	Yes	Str. Thru	Yes / Yes*	Yes	No	No	36J55-214	36J55-214
24 Vac 50/60Hz	1 - Stage Slow Open	1/2" X 1/2"	3.5"	2.5"-5.0"	7.0"-12.0"	Yes	No	90° Bottom Outlet	Yes / Yes*	Yes	No	No	36J24-614	36J24-614
24 Vac 50/60Hz	2 - Stage Slow Open	1/2" X 1/2"	1.5" Low 3.5" High	1.0"-4.0" Low 2.0"-5.0" High	4.0"-10.0" Low 6.0"-12.0" High	Yes	No	90° Bottom Outlet	Yes / Yes*	Yes	No	No	36J55-614	36J55-614

* To measure outlet pressure on valves, loosen outlet pressure tap screw one quarter turn and put manometer hose over the top of the outlet pressure tap.

** Use F92-0659 to convert to regulated L.P. gas

Not for Standing Pilot