



AquaPUMP Hydronic Circulating Pumps

SUBMITTAL SHEET

Job Name	
Engineer	
Mechanical Contractor	
Contractor's P.O. No.	
Representative	
Notes	

Model(s)			
	Qty.		Notes
	Qty.		Notes
	Qty.		Notes
Approval			
Service			
Tag No.			

APPLICATION

The PC3F in-line, wet rotor circulator with universal flange is designed for applications in closed-loop hydronic heating and cooling systems, as well as in solar-powered systems. The pump is non-submersible and for use in dry, frost-free, well-ventilated installations.

SPECIFICATIONS

Control: 3-step switch with manual speed selection.

Motor Protection: The motor includes an internal thermal overload protection. External motor protection is not required.

Speed Switching: Three speed, with manual selector.

Standards:

Insulation Class F

Temperature Class: TF95

Approvals: UL/cUL 778, File number 4MX8

Temperature, electrical, and pressure specifications are available on reverse side (ADDITIONAL SPECIFICATIONS).

VALVE MATERIALS

Casing: Cast Iron

Motor Housing: Aluminum

Impeller: PP GF50

Shaft: Ceramic

O-Ring/Flange Gaskets: EPDM Rubber

Bearings: Ceramic

Bearings Plate: Stainless Steel

Motor Cap: Stainless Steel

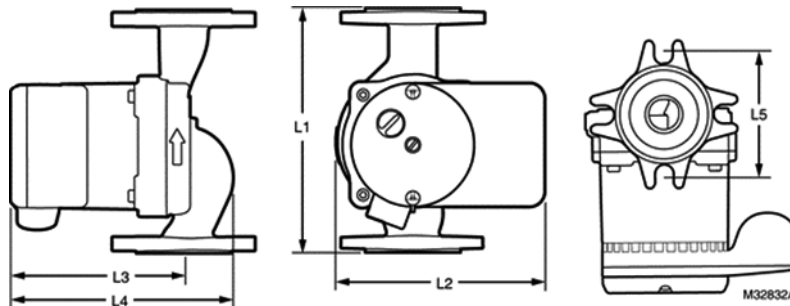


Table 1. Dimensions.

Product Number	Max. Flow		Max. Pressure Head		Connections		Weight lbs. (kg)	Dimensions				
	GPM	LPM	Feet	Meters	Bolt Hole Spacing	Bolt Hole		L1 in. (mm)	L2 in. (mm)	L3 in. (mm)	L4 in. (mm)	L5 in. (mm)
PC3F1558IUFO0	15	55.6	19.4	6	3-5/32 in. (80.2 mm)	1/2 in. (12.7 mm)	7.8 (3.54)	6.5 (165.5)	5.5 (140)	4.7 (118)	6.6 (167)	3.2 (80.2)
PC3F2699IUFO0	34	92.7	31	9	3-5/32 in. (80.2 mm)	1/2 in. (12.7 mm)	9.5 (4.32)	6.5 (165.5)	6.1 (155)	6.5 (165.5)	7.75 (197)	3.2 (80.2)
PC3F4344IUFO0	59	170	17	5.2	3-7/16 in. (87.3 mm)	1/2 in. (12.7 mm)	11 (5)	8.5 (216)	6.1 (155)	6.9 (174)	8.9 (227)	3.4 (87.3)



FLOW CHART DESCRIPTION

Electrical Data

Table 2.

Product Number	Speed 1		Speed 2		Speed 3	
	Power	Current	Power	Current	Power	Current
PC3F1558IUF00	32W	0.28A	55W	0.48A	85W	0.74A
PC3F2699IUF00	125W	1.09A	175W	1.52A	205W	1.78A
PC3F4344IUF00	145W	1.26A	185W	1.61A	210W	1.83A

Optional and Replacement Parts

Table 3.

Pump Model	Check Valve	Gasket
PC3F1558IUF00	PCV100	PCG100
PC3F2699IUF00	PCV125	PCG100
PC3F4344IUF00	PCV150	PCG150

ADDITIONAL SPECIFICATIONS

Temperature Range:

Ambient: 32°F to 104°F (0° to 40°C)
 Storage: -40°F to 100°F (-40° to 38°C)
 Water: 14°F to 230°F (-10° to 110°C)
 [to 200°F (95°C) with optional check valve installed]

Electrical:

115VAC +/- 10% 60Hz
 Internal thermal overload protection
 Amperage: See Electrical Data Table above.

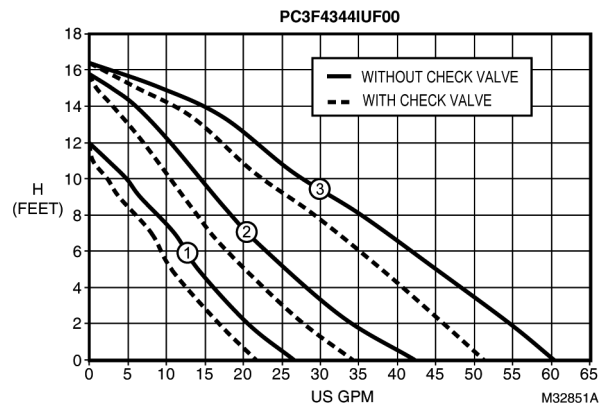
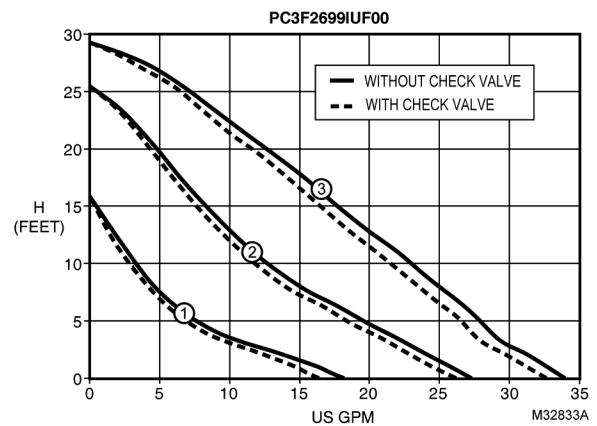
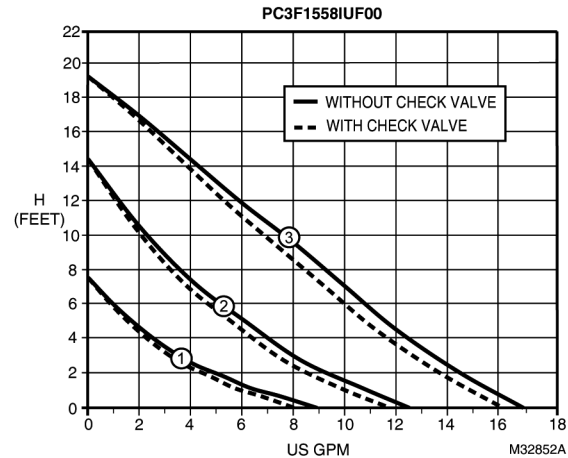
Max. Pressure: 145 psi (at room temperature);
 50 psi at 200°F (93°C)

Min. Inlet Pressure:

167°F (75°C): 0.73 psi
 194°F (90°C): 4.1 psi

Sound: Less than 43 dB(A) at 3.3 feet (1 meter)

FLOW CURVES



By using this Resideo literature, you agree that Resideo will have no liability for any damages arising out of your use or modification to, the literature. You will defend and indemnify Resideo, its affiliates and subsidiaries, from and against any liability, cost, or damages, including attorneys' fees, arising out of, or resulting from, any modification to the literature by you.



Resideo Technologies, Inc.
 1985 Douglas Drive North, Golden Valley, MN 55422
 1-800-468-1502
 68-3091—03 M.S. Rev. 09-20 | Printed in United States