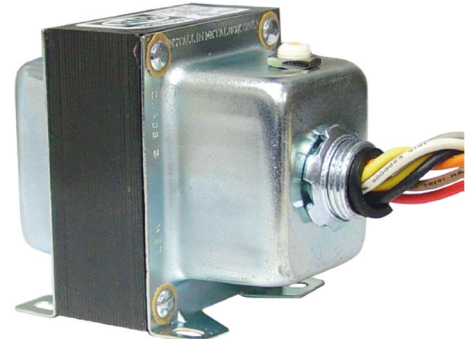


Product Description

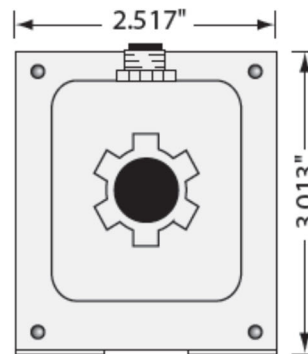
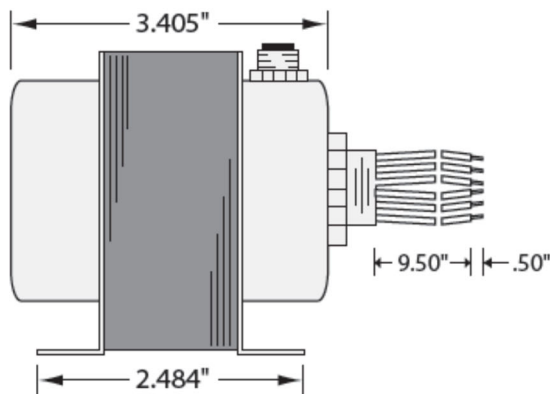
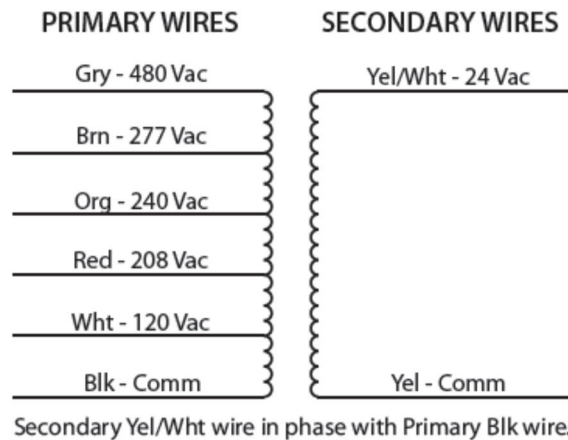
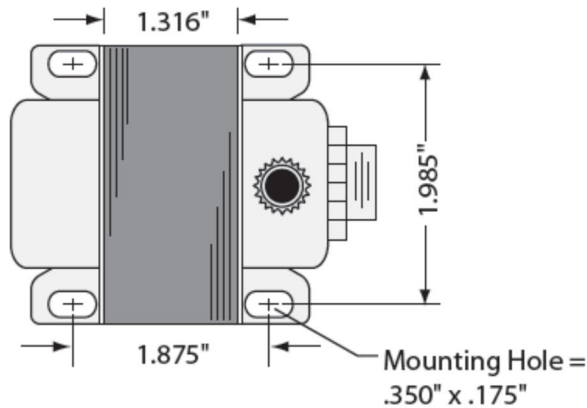
The Functional Devices, Inc.™ TR50VA015 is a Class II, 50 VA, 480/277/240/208/120 to 24 Vac Transformer with an integral circuit breaker. The foot and single threaded hub mount makes this transformer ideal for panel or junction box mounting.

Product Specifications

VA Rating:	50
Frequency:	50/60 Hz
Mounting:	Foot & single threaded hub
Over Current Protection:	Circuit Breaker
Dimensions:	3.405" x 2.517" x 3.013" (w/ .500" NPT Hub)
Wire Length:	9.5" Typical w/ .5" Strip
Operating Temperature:	-30 to 140°F
MTBF:	100,000 Hours @ 77°F
Construction:	Split-Bobbin
Weight:	2.80 lbs.
Approvals:	Class II UL5085-3 Listed, C-UL, CE, RoHS



Product Dimensions



Specifications are subject to change without notice.

Functional Devices, Inc. is a trademark of Functional Devices, Inc. RIB is a registered trademark of Functional Devices, Inc.