



Turbo Tube...P Series

INLINE MIXED FLOW FANS WITH SMOOTH SPEED CONTROL



Excellent aerodynamics & Low noise

The **unique motor, powerful mixed flow impeller** and **special aerodynamic casing** combination enables the **VENTS Turbo Tube...P Series (TT...P)** fans to deliver superb airflow performance even at higher static pressures typically found in extensive ventilation systems. This impeller and the internal aerodynamic guide vanes provide a smooth laminar air flow which minimizes turbulence and noise and **generates an excellent air flow to pressure performance ratio.**

Compact Size

The **VENTS Turbo Tube...P Series (TT...P)** fans were engineered to be **compact without any loss in performance.** This means it can fit nicely into limited spaces.

Built-in smooth speed control

The built in controls allow a user to create an almost custom airflow with reduced noise and power consumption while increasing the life of the fans.

Easy to Install & Cleaning

Fans include a **"removable body"** feature that enables the motor-impeller assembly to be completely removed for cleaning or replaced without the need to interfere with the attached ducting.

The **VENTS Turbo Tube P** Series combines the features and benefits of both axial and centrifugal fan. Used for both supply and exhaust applications that require **high pressure, powerful airflow** and **noise levels**, the Turbo Tube excels at exhausting high-humidity air from bathroom and kitchens. The fans are ideally suited for ventilation of apartments, retail, restaurants, and anywhere else a powerful, yet quiet, airflow is needed.

Turbo Tube fans are compatible with 4", 5", 6", 8", 10", and 12" diameter ducts. The fan's casing is made of high quality, UV resistant plastic. Turbo Tube's have long-life ball bearing two-speed motors and thermal protection to prevent motor burnout.

The **VENTS Turbo Tube...P Series (TT...P)** series fans have **built-in speed controller** for **smooth impeller's rotation speed** (ranging from 0% to 100%).

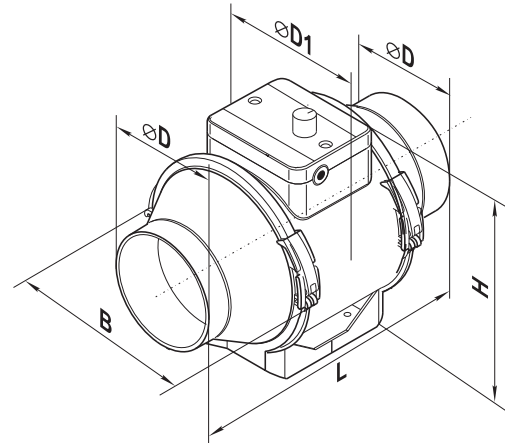


Bathroom ventilation example based on VENTS TT...P fan



Dimensions

Model	Measurements					lbs
	ØD	ØD1	B	H	L	
TT 100 P	3 3/4"	5 1/2"	6 9/16"	7 1/2"	9 11/16"	3.1
TT 125 P	4 13/16"	5 1/2"	6 9/16"	7 1/2"	9 11/16"	3.1
TT 150 P	5 3/4"	7 11/16"	8 3/4"	9 13/16"	11 5/8"	6.6
TT 200 P	7 13/16"	8 1/4"	9 7/16"	10 1/4"	11 5/8"	14.0
TT 250 P	9 3/4"	10 1/8"	11 5/16"	12 11/16"	15 1/16"	18.3
TT 305 P	12"	12 11/16"	14 1/4"	16 1/16"	22 15/16"	25.1



Performance

Model	Duct dia.	Sones	RPM*	Watts*	Amps*	CFM vs. Static Pressure (Ps) Ins. W.G										Max. Ps	Volts
						0"	0.125"	0.2"	0.25"	0.5"	0.75"	1.0"	1.25"	1.5"			
TT 100 P	4"	2.42	3113	36.0	0.45	105	49	37	32	13	-	-	-	-	0.70	120	
TT 125 P	5"	2.61	2600	41.0	0.51	126	112	99	46	-	-	-	-	0.49	120		
TT 150 P	6"	4.20	3340	191.0	1.59	440	428	420	414	383	136	87	57	27	1.71	120	
TT 200 P	8"	4.35	2116	110.8	0.93	520	450	432	420	352	254	89	-	-	1.167	120	
TT 250 P	10"	4.44	10"	200	1.68	880	873	866	862	842	816	708	581	323	2.27	120	
TT 305 P	12"	4.48	2419	352.9	2.95	1050	1020	999	986	914	838	746	632	500	2.665	120	

* The parameters RPM, Watts, Amps are indicated at 0.2 in. w.g. static pressure.

Specification

Voltage: **120V 60Hz**

Motor: Single-phase asynchronous motor

Duct compatibility: **4", 5", 6", 8", 10", 12"**

Airflow capacity: **up to 1050 CFM**

Sones: **2.42 - 4.48**

Power consumption: **36 - 352.9 W**

Suitable for working airstreams up to **140° F**

IP X4 Protection

Thermal Overload Protection

Built-in speed control knob

Cable with plug included

Five year warranty

Contacts

Tel: 1-888-640-0925

Tel: 513-348-3853

Fax: 513-268-4597

sales@VentsUS.com

VentsUS.com

11013 Kenwood Road Cincinnati, Ohio 45242

VENTS – US reserves the rights to modify any of its products features, designs, components, and specifications at any time and without notice to maintain the development and quality of manufactured goods.



12/05