

Horizontal Vent Termination Kits Installation Guide



Intertek
4010793

Certified to ULC Std S636

General

The low profile vent termination kit allows both the intake for combustion air and the exhaust vent to pass through a standard sidewall. Follow these instructions as well as the furnace installation instructions for installation of the intake/vent pipe(s) and all furnace installation procedures. These instructions are intended as an aid to qualified service personnel for proper installation, adjustment and operation of this unit. Refer to the furnace installation instructions for intake/vent pipe sizing information.

This kit contains the following parts:

- (1) Vent Cap
- (1) Vent Plate
- (1) Mounting Hardware

Key Installation Requirements

1. Examine all components for possible shipping damage prior to installation.
2. Proper joint construction is essential for a safe installation. Follow these instructions exactly as written. Check for proper joint construction when joining pipe to fittings.
3. This venting system must be free to expand and contract. Check for unrestricted vent movement through walls, ceilings, and roof penetrations.
4. This venting system must be supported in accordance with these instructions.

Warnings

- o Do not operate the furnace without the side wall cap in place as recirculation of combustion products may occur.
- o If the venting system is not installed properly, recirculation of flue gasses may occur, causing the intake pipe to freeze shut during cold weather operation.
- o Water may collect inside the combustion air pipe and flow to the burner enclosure. Means shall be provided for

draining the condensate. Failure to follow this warning could result in product damage or improper operation, personal injury or death.

- o Different manufacturers have different joint systems and adhesives. Do not mix pipe, fittings, or joining methods from different manufacturers.
- o Plastic venting systems shall not pass through rated fire separations.
- o Keep assembly free of insulation during installation
- o Do not use field supplied couplings to extend pipes.
- o Recirculation of flue gasses may occur, causing the intake pipe to freeze shut during cold weather operation if the venting system is not installed per these guidelines. If the venting system is not installed properly, flue gas may recirculate, possibly causing the intake pipe to freeze shut during cold weather.
- o The safe operation of the vent system is based on the use of parts supplied in this kit or approved per the guidelines that follow in the instructions. The performance of the system may be affected if the combination of these prescribed parts is not used in actual building construction.

1) Acceptable Gas Appliances, Components, Sealants and Installation Methods

- a) The DiversiTech horizontal vent termination kit is intended for use with Category IV high efficiency (condensing gas) furnaces or water heaters with exhaust temperatures up to and including 65°C (149°F), ULC S636 Class II. Failure to follow this warning could result in fire, personal injury or death.
- b) Pipe and fittings are required to complete installation (user supplied). The combustion air and vent pipe fittings must conform to ANSI and ASTM standards D1785, F891, D2665, D2241, D2661, or F628. Pipe cement and primer must conform to ASTM standards D2564 or D2235.

- c) In Canada, construct all combustion air and vent pipes for this unit of CSA or ULC certified Schedule 40 PVC, PVC-DWV, or ABS-DWV pipe and pipe cement.
- d) Failure to use pipe, fittings or solvents as outlined above can result in unsafe conditions.
 - i. For assembly of PVC piping, DiversiTech Pro-Weld PVC Cement (clear) is recommended.
 - ii. Where primer is required (see Section 4: Solvent Cementing), DiversiTech Pro-Prime PVC Primer (purple) is recommended.
- e) PVC solvent cements and all primers must not be used more than 3 years beyond the date of manufacture printed on the container.
- f) Where firestopping is required, Fireseal 814 (red) or equivalent is recommended.
- h) Acceptance of the vent system is dependent upon full compliance with these installation instructions, CSA B149 and local building and fire codes.

2) Installation and Terminations

General Installation Notes:

- a) Prior to installation the authority having jurisdiction (such as gas inspection authority, municipal building department, fire department, fire prevention bureau, etc.) should be consulted to determine the need to obtain a permit.
- b) Follow the appliance manufacturer's installation instructions, local installation codes from the authority having jurisdiction.
- c) The venting system shall terminate in accordance with the requirements of CAN/CSA-B149.1-2, Natural Gas and Propane Installation Code, or CAN/CSA-B149.2, Propane Storage and Handling Code, as applicable.
- d) Follow the appliance manufacturer's installation instructions for details on vent-to-appliance connections.

- e) It is required that means shall be provided for draining the condensate. The venting system must be sloped upwards not less than 20mm per 1,000mm from the appliance to the vent terminal in order to prevent the collection of condensate. Refer to the appliance manufacturer's installation instructions for further details regarding condensate drain fittings.
- f) Insulation must not interfere with any necessary clearances.
- g) Provide support as close as reasonably possible to any fittings to alleviate excessive stress at joints and within the piping system as a whole. Supports, hangers and anchors should be suitable for use with plastic pipe.
- h) Horizontal runs of PVC pipe must be supported at intervals of no more than 5 feet unless otherwise specified by local regulatory codes, the local authority having jurisdiction, or the appliance manufacturer.
- i) Vertical runs of PVC pipe should be adequately supported at the first penetration in order to bear the weight of the vertical run. The pipe should be securely fastened to the support structure. Additional supports should be utilized on the vertical run, but they must allow for movement due to expansion and contraction.
- j) Utilize ½" or ¾" steel strapping (or equivalent) fastened to the support structure to support PVC pipe runs. Framing nails or screws may be used to fasten the strapping to the support structure.

HORIZONTAL SIDEWALL MOUNTING

NOTE:

- For proper function, never install vent on side of structure exposed to prevailing winter winds.
- Consult your furnace installation instructions for allowable exhaust and intake air pipe placement and length.

- Do not install more than one furnace per vent without consulting furnace manufacturer.
- For proper function and to allow for field disassembly for inspection and cleaning, seal all gaps and all pipe penetrations in wall with silicone sealant.
- Do not install vent kits above one another. This will help to prevent the condensate from freezing.
- Refer to figures 1 and 2 for Typical Horizontal Vent placement during installation.
- Avoid locations where vapors are objectionable, or may damage the structure, plants or air conditioning condensing unit.
- Refer to figures 3 and 4 for configuration of the PVC piping installed with the Horizontal Vent.

1. Use furnace installation instructions to determine pipe diameter.
2. Determine correct HVENT kit size for the pipe diameter selected.
3. Install air intake piping and vent into vent plate openings.
 - a. This installation method can be used for non-direct vent termination as well.
 - b. Vent should extend no further than 2 ¼" beyond vent plate.
 - c. Air intake should extend no further than 1" beyond vent plate.
4. Mark air intake, vent and four mounting holes using vent plate as a guide. Make note of the minimum clearances.
5. Cut 2 holes for air intake and vent.
6. Drill four 3/16" holes and insert plastic anchors into the wall.
7. Secure vent plate with four supplied screws (#8 x 2" long, pan head stainless steel).
8. Attach vent cap to vent plate and secure with four supplied screws (#8 x 2" long, pan head stainless steel).
9. Check for any gaps in the wall and seal using silicone or other suitable sealant.

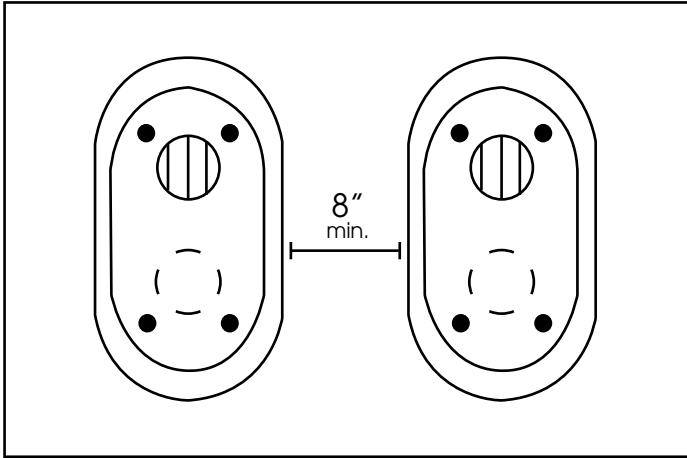


Figure 1: Typical Vertical Installation

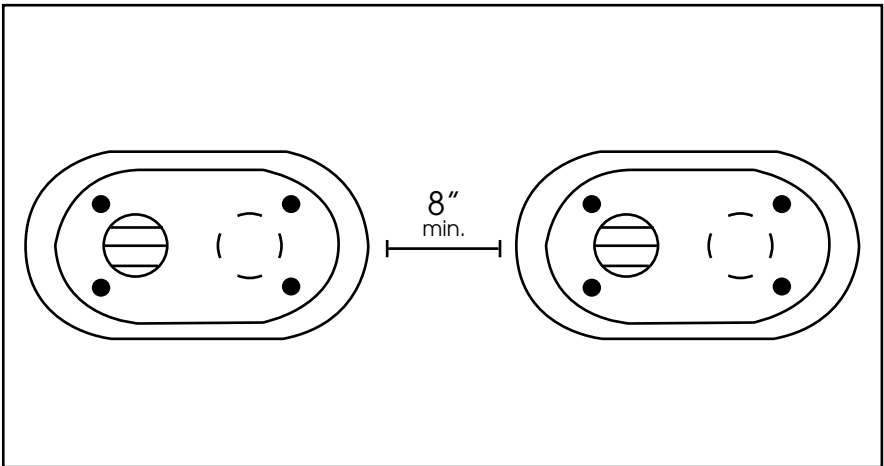
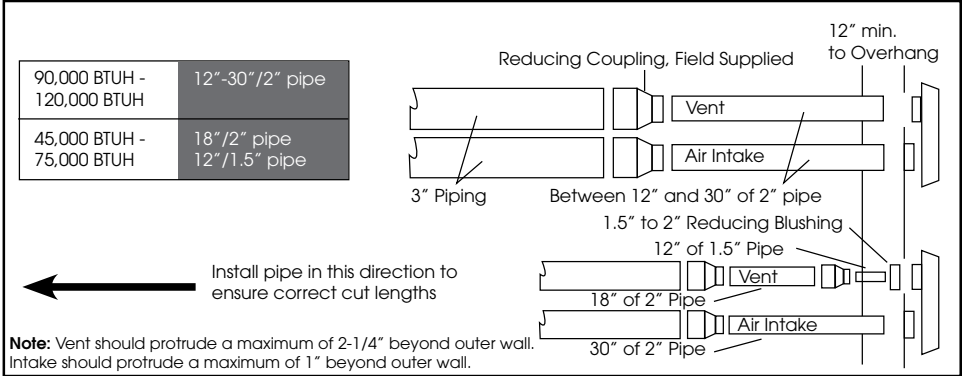


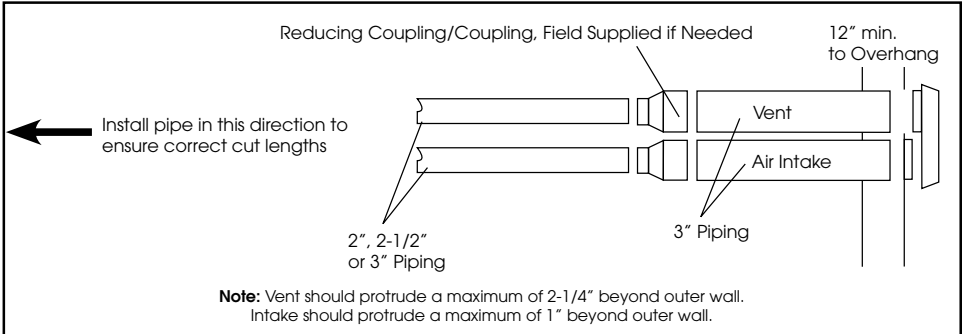
Figure 2: Typical Horizontal Installation



Maintain 12" (18" for Canada) minimum clearance above highest anticipated snow level or grade (whichever is greater).

Figure 3: Typical Installation for 2 in.

Refer to furnace or condensing tankless water heater installation instructions for details on pipe length and size requirements, as well as maximum pipe run lengths.



Maintain 12" (18" for Canada) minimum clearance above highest anticipated snow level or grade (whichever is greater).

Figure 4: Typical Installation for 3 in.

Refer to furnace or condensing tankless water heater installation instructions for details on pipe length and size requirements, as well as maximum pipe run lengths.

3) Expansion and Contraction

- a) PVC will expand and contract with temperature changes. When running piping to the DiversiTech concentric vent termination, this physical property of PVC must be taken into account. General expansion vs. temperature change based on the length of run can be found in tables 1 and 2 of this section.
- i. Ensure adequate clearance between piping and other structures. It is recommended that pipe and fittings are installed at least 1 inch from the supporting structure. In some instances additional clearance may be required. Please refer to the linear expansion tables (Figures 1 & 2) to help determine if extra clearance is necessary.
 - ii. Ensure that clamps, hangers and other supports are intended for use on plastic pipe and allow necessary pipe movement without damaging the PVC piping.

Temp. Change	PVC Linear Expansion (ΔL) in inches				
	Length of Run (ft)				
(°F)	10	20	30	40	50
10	0.04	0.07	0.11	0.14	0.18
20	0.07	0.14	0.22	0.29	0.36
30	0.11	0.22	0.32	0.43	0.54
40	0.14	0.29	0.43	0.58	0.72
50	0.18	0.36	0.54	0.72	0.90
60	0.22	0.43	0.65	0.86	1.08
70	0.25	0.50	0.76	1.01	1.26
80	0.29	0.58	0.86	1.15	1.44
90	0.32	0.65	0.97	1.30	1.62
100	0.36	0.72	1.08	1.44	1.80

Table. 1: Linear Expansion of PVC in inches

Temp. Change	PVC Linear Expansion (ΔL) in mm				
	Length of Run (m)				
(°C)	3	6	9	12	15
5	0.81	1.62	2.43	3.24	4.05
10	1.62	3.24	4.86	6.48	8.10
15	2.43	4.86	7.29	9.72	12.15
20	3.24	6.48	9.72	12.96	16.20
25	4.05	8.10	12.15	16.20	20.25
30	4.86	9.72	14.58	19.44	24.30
35	5.67	11.34	17.01	22.68	28.35
40	6.48	12.96	19.44	25.92	32.40
45	7.29	14.58	21.87	29.16	36.45
50	8.10	16.20	24.30	32.40	40.50

Table 2. Linear Expansion of PVC in mm

4) Solvent Cementing

Notes:

- Check with local jurisdictions for requirements regarding the use of primer. The use of primer is required at temperatures below 0°C.
- Do not use primer to thin cement.
 - a) Cut pipe square and remove any dirt burrs.
 - b) Check dry fit of pipe and fitting. Pipe should enter fitting at least 1/3 of the way without forcing. If pipe bottoms, it should be a snug fit.
 - c) Wipe surfaces to be joined with a clean cloth to remove dirt and moisture.
 - d) If using primer, apply primer with applicator to inside of fitting and to outside end of pipe end. Apply with scrubbing motion in order to dissolve the surfaces. If primer is applied with cloth, wear gloves impervious to the primer. If not using primer, skip to the next step.
 - e) Check the cement applicator size. Applicator supplied with DiversiTech Pro-Weld may be used on pipe diameters up to 2". On larger pipe, use a brush width of ½ the pipe diameter.

- f) Apply a heavy coat of cement to outside end of the pipe and a light coat to the inside of the fitting and then another coat to the outside of the pipe.
- g) Immediately insert pipe into fitting with a slight twisting motion until it bottoms in the socket.
- h) Hold joint together momentarily until it has set in order to prevent the tapered socket from pushing the pipe out of the fitting.
- i) Wipe all excess cement from joint.
- j) Use care when handling freshly made joints, and be sure not to disturb joints during the cure period. Joints may be pressure tested after the cure times in following section and in Table 3. Note that longer cure times are required when installing under cold ambient temperatures.

5) Set/Cure Times

- a) Handling Time is the time required before handling the joint.
- b) Cure Time is the required time to allow before pressurizing the system
 - i. Cure Times are valid if the Relative Humidity is 60% or less.
- c) In case of damp or humid weather allow 50% additional cure time.

Temperature	Handling/Set Time	Joint Cure Time
60°-100° F	5 min	30 min
40°-60° F	10 min	45 min
0°-40° F	15 min	1 hr

Note: Set/Cure Times valid for 1 ½" - 3" Pipe Sizes

Table 3. Set and Joint Cure Times

**All data is estimated based on laboratory tests. Due to the many variables in the field, these figures should be used as a general guide only.

6) Maintenance

- a) The DiversiTech Horizontal Vent termination kit and related vent piping should be checked once a year by a qualified technician.
- b) To aid in visibility of certification and warning labels, and enable proper inspection/maintenance, DiversiTech Horizontal Vent kits and related piping should not be painted.

****These installation guidelines were issued on June 2014.*

Manufacturer Information:

DiversiTech Corporation
2175 East Park Drive NE
Conyers, GA 30013

Général

Le kit de terminaison de ventilation à profil bas permet à la fois la prise d'air comburant et la sortie d'air de passer à travers une paroi latérale standard. Suivez ces instructions ainsi que les instructions d'installation de la chaudière pour l'installation de la/des conduite(s) d'entrée/ventilation et toutes les procédures d'installation de la chaudière. Ces instructions servent d'aide à un technicien qualifié pour l'installation, le réglage et le fonctionnement correctes de cet appareil. Référez-vous aux instructions d'installation de la chaudière pour les informations sur le dimensionnement de la conduite d'entrée/d'évacuation.

Ce kit contient les éléments suivants:

- (1) Chapeau d'évent
- (1) Plaque d'évent
- (1) Matériel de montage

Exigences-clé d'installation

1. Examinez tous les composants pour d'éventuels dommages d'expédition avant l'installation.
2. Une bonne construction des joints est essentielle pour une installation sécurisée. Suivez ces instructions exactement comme écrites. Veillez à une excellente fixation des joints lors de l'assemblage du tuyau aux raccords.
3. Ce système de ventilation doit être libre pour se dilater et se contracter. Vérifiez le mouvement d'air incontrôlé à travers les murs, les plafonds et les pénétrations de toit.
4. Ce système de ventilation doit être soutenu conformément à ces instructions.

Avertissements

- Ne pas utiliser la chaudière sans le bouchon de la paroi latérale en place car les produits de combustion risquent de recirculer.
- Si le système de ventilation n'est pas installée

correctement, les gaz de combustion peuvent être remis en circulation, provoquant la gelée complète du tuyau d'entrée pendant la saison froide.

- De l'eau peut s'accumuler à l'intérieur du tuyau d'air comburant et couler vers l'enceinte de la chaudière. Des moyens doivent être prévus pour l'évacuation du condensat. Le non-respect de cet avertissement peut entraîner des dommages matériels, le dysfonctionnement, des blessures corporelles ou la mort.
- Différents fabricants ont des systèmes différents de joints et d'adhésifs. Ne mélangez pas les tuyaux, les raccords, ou les méthodes d'assemblage de différents fabricants.
- Les systèmes de ventilation en plastique ne peuvent pas passer par des séparations coupe-feu certifiées.
- Garder l'ensemble libre d'isolant lors de l'installation.
- Ne pas utiliser des pièces de jonction fournies sur place pour rallonger les tuyaux.
- Les gaz de combustion peuvent être remis en circulation, entraînant la gelée complète du tuyau d'entrée par temps froid si le système de ventilation n'est pas installé en respectant ces consignes. Si le système de ventilation n'est pas installée correctement, les gaz de combustion peuvent être remis en circulation, provoquant la gelée complète du tuyau d'entrée pendant la saison froide.
- La sécurité de fonctionnement du système de ventilation est basée sur l'utilisation des pièces fournies dans ce kit ou approuvé par les consignes qui suivent dans les instructions. La performance du système peut être affectée si la combinaison de ces pièces prescrites n'est pas utilisée dans la construction actuelle.

1) Appareils à gaz, composants, produits d'étanchéité et méthodes d'installation acceptables

- a) Le kit de terminaison de ventilation horizontale DiversiTech est destinée à être utilisée avec les chaudières à haut rendement Catégorie IV (à

condensation gaz) ou avec les chauffe-eau ayant des températures de gaz d'échappement jusqu'à et y compris 65°C (149°F), ULC S636 Classe II. Le non-respect de cet avertissement peut entraîner un incendie, des blessures ou la mort.

- b) Les tuyaux et les raccords sont nécessaires pour terminer l'installation (fournis par l'utilisateur). Les raccords des tuyaux de ventilation et d'air comburant doivent être conformes aux normes ANSI et ASTM D1785, F891, D2665, D2241, D2661, ou F628. La colle de tuyau et l'apprêt doivent être conformes aux normes de l'ASTM D2564 ou D2235.
- c) Au Canada, il faut construire tous les tuyaux d'air comburant et de ventilation pour cet appareil avec du PVC Schedule 40, du PVC-DWV, ou il faut utiliser des tuyaux et des colles ABS-DWV.
- d) La non-utilisation des tuyaux, des raccords ou des solvants indiqués ci-dessus peut entraîner des conditions dangereuses.
 - i. Pour le montage de tuyauterie PVC, la colle DiversiTech Pro-Weld PVC (clair) est recommandée.
 - ii. Si l'endroit demande de l'apprêt (voir Section 4: Collage au solvant), l'apprêt DiversiTech Pro-Prime PVC (violet) est recommandé.
- e) Les colles à solvant PVC et tous les apprêts ne peuvent plus être utilisés plus de 3 ans après la date de fabrication indiquée sur l'emballage.
- f) Si l'endroit demande un coupe-feu, FIRESEAL 814 (rouge) ou un équivalent est recommandé.
- g) L'acceptation du système de ventilation dépend de la pleine conformité avec ces instructions d'installation, le CSA B149, les règles de construction locales et le code national de prévention des incendies.

2) Installation et terminaisons

Remarques générales sur l'installation:

- a) Avant l'installation, l'autorité compétente (comme l'autorité de contrôle de gaz, le service d'urbanisme, le service des incendies, le service de prévention des incendies, etc) doit être consultée afin de déterminer la nécessité d'obtenir un permis.
- b. Suivez les instructions d'installation du fabricant de l'appareil et les codes d'installation locaux de l'autorité compétente.
- c. Ce système de ventilation devra se terminer en conformité avec les exigences du CAN/CSA-B149.1, le Code d'installation du gaz naturel et du propane, ou du CAN/CSA-B149.2, le Code sur l'emmagasinage et la manipulation de propane, le cas échéant.
- d. Suivez les instructions d'installation du fabricant de l'appareil pour avoir plus de détails concernant les connexions du système de ventilation à l'appareil.
- e) Il est nécessaire de prévoir des moyens pour évacuer le condensat. Le système de ventilation doit être incliné vers le haut d'au moins 20 mm par 1000 mm à partir de l'appareil vers la terminaison de ventilation dans le but d'empêcher la collecte de condensat. Référez-vous aux instructions d'installation du fabricant de l'appareil pour plus de détails concernant les raccords de purge de condensats.
- f) Les matériaux d'isolation ne peuvent pas interférer avec les espaces libres nécessaires.
- g) Fournissez un support aussi près que possible de tous les raccords afin de réduire la charge excessive sur les joints et sur l'ensemble de la tuyauterie. Des supports, des crochets et des ancrages doivent être adaptés à être utilisés avec des tuyaux en plastique.
- h) Les conduits horizontaux de tuyau en PVC doivent être soutenus à des intervalles de maximum 5 pieds, sauf indication contraire par les codes réglementaires locales, l'autorité locale compétente ou le fabricant de l'appareil.

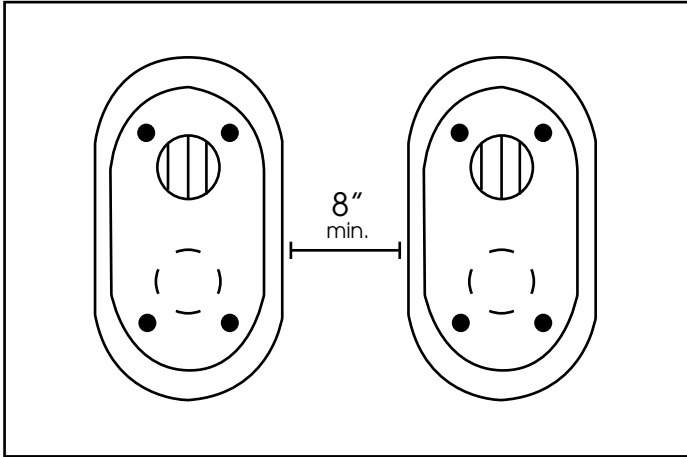
- i) Les conduits verticaux de tuyau en PVC doivent être soutenus de manière adéquate lors de la première pénétration afin de supporter le poids du conduit vertical. Le tuyau doit être solidement fixé à la structure de support. Des supports supplémentaires doivent être utilisés sur le conduit vertical, mais ils doivent permettre du mouvement provenant de la dilatation et de la contraction.
- j) Utilisez du cerclage en acier de ½ " ou ¾" (ou son équivalent) fixé à la structure de support pour supporter les tuyaux en PVC. Des clous ou des vis de fixation peuvent être utilisés pour fixer le cerclage sur la structure de support.

LE MONTAGE HORIZONTAL MURAL

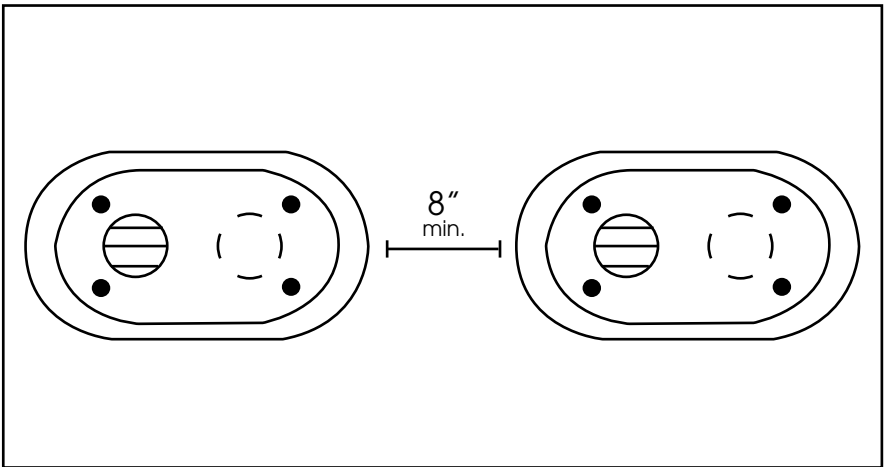
Remarque:

- Pour le bon fonctionnement, n'installez jamais d'évent sur le côté d'une structure exposée aux vents dominants d'hiver.
- Consultez les instructions d'installation de la chaudière pour l'emplacement et la longueur admissibles du tuyau de sortie d'air et du tuyau d'entrée d'air.
- N'installez pas plus qu'une chaudière par ventilation sans avoir consulté le fabricant de la chaudière.
- Pour le bon fonctionnement et pour faciliter le démontage sur place pour l'inspection et le nettoyage, rebouchez tous les trous et les pénétrations de tuyaux dans le mur à l'aide de joint silicone.
- N'installez pas les kits de ventilation l'un au-dessus de l'autre, empêchant ainsi la gelée du condensat.
- Référez-vous aux figures 1 et 2 pour le placement de la ventilation horizontale lors de l'installation.
- Évitez les endroits où il y a des vapeurs qui peuvent être désagréables ou endommager la structure, les installations ou l'unité de condensation de la climatisation.
- Référez-vous aux figures 3 et 4 pour la configuration de la tuyauterie en PVC installée avec l'évent horizontal.

1. Suivez les instructions d'installation de la chaudière pour déterminer le diamètre du tuyau.
2. Déterminez la taille correcte du kit HVENT pour le diamètre du tuyau sélectionné.
3. Installez l'évent et la tuyauterie d'entrée d'air dans les ouvertures de la plaque d'évent.
 - a. cette méthode d'installation s'applique également à une terminaison de ventilation non-directe.
 - b. la sortie d'air ne peut pas s'étendre au-delà de 2 ¼ '' de la plaque d'évent.
 - c. l'entrée d'air ne peut pas s'étendre au-delà de 1'' de la plaque d'évent.
4. Marquez l'entrée d'air, la sortie d'air et quatre trous de montage en utilisant la plaque d'évent comme guide. Prenez note des distances minimales.
5. Coupez deux orifices pour l'entrée d'air et la sortie d'air.
6. Percez quatre orifices 3/16" et insérez des chevilles en plastique dans le mur.
7. Fixez la plaque d'évent à l'aide de quatre vis fournies (n° 8 x 2" de long, en acier inoxydable à tête cylindrique).
8. Fixez le chapeau d'évent à la plaque d'évent et sécurisez-les avec quatre vis fournies (n° 8 x 2" de long, en acier inoxydable à tête cylindrique).
9. Contrôlez la présence d'éventuels trous dans le mur et bouchez-les à l'aide de silicone ou d'un produit d'étanchéité approprié.



Installation verticale typique 8" min.



Installation horizontale typique 8" min.

3) Dilatation et contraction

- a) Le PVC se dilate et contracte selon les changements de température. Lors de l'installation de la tuyauterie à la terminaison de ventilation, il faut tenir compte de cette propriété physique du PVC. La dilatation générale par rapport au changement de température en fonction de la longueur des tuyaux peut être retrouvée dans les tableaux 1 et 2 de la présente section.
- i. Assurez une distance adaptée entre la tuyauterie et d'autres structures. Il est recommandé que les tuyaux et les raccords soient installés au moins 1 pouce de la structure portante. Dans certains cas, une distance supplémentaire peut être nécessaire. Référez-vous aux tableaux de dilatation linéaire (figures 1 et 2) pour déterminer si cette distance supplémentaire est nécessaire.
 - ii. Veillez à ce que des pinces, des cintres et d'autres supports soient destinés à être utilisés sur des tuyaux en plastique et permettent le mouvement nécessaire des tuyaux sans endommager la tuyauterie en PVC.

Changement Temp.	Dilatation PVC linéaire (ΔL) en pouces				
	Longueur de la tuyauterie en ligne droite (pieds)				
(°F)	10	20	30	40	50
10	0,04	0,07	0,11	0,14	0,18
20	0,07	0,14	0,22	0,29	0,36
30	0,11	0,22	0,32	0,43	0,54
40	0,14	0,29	0,43	0,58	0,72
50	0,18	0,36	0,54	0,72	0,90
60	0,22	0,43	0,65	0,86	1,08
70	0,25	0,50	0,76	1,01	1,26
80	0,29	0,58	0,86	1,15	1,44
90	0,32	0,65	0,97	1,30	1,62
100	0,36	0,72	1,08	1,44	1,80

Tableau 1. La dilatation linéaire de PVC en pouces

Changement Temp.	Dilatation PVC linéaire (ΔL) en millimètres				
	Longueur de la tuyauterie en ligne droite (mètres)				
(°C)	3	6	9	12	15
5	0,81	1,62	2,43	3,24	4,05
10	1,62	3,24	4,86	6,48	8,10
15	2,43	4,86	7,29	9,72	12,15
20	3,24	6,48	9,72	12,96	16,20
25	4,05	8,10	12,15	16,20	20,25
30	4,86	9,72	14,58	19,44	24,30
35	5,67	11,34	17,01	22,68	28,35
40	6,48	12,96	19,44	25,92	32,40
45	7,29	14,58	21,87	29,16	36,45
50	8,10	16,20	24,30	32,40	40,50

Tableau 2. La dilatation linéaire de PVC en mm

4) Collage au solvant

Remarques :

- Adressez-vous aux administrations locales pour connaître les besoins concernant l'utilisation d'apprêt. L'utilisation d'apprêt est nécessaire à des températures inférieures à 0° C.
 - Ne pas utiliser d'apprêt avec la colle mince.
- a) Coupez le tuyau droit et enlevez les bavures de saleté.
 - b) Vérifiez l'ajustement sec du tuyau et du raccord. Le tuyau doit entrer dans le raccord au moins 1/3 de la voie sans forcer. Si le tuyau baisse, cela devrait être un bon ajustement.
 - c) Essuyez les surfaces à assembler avec un chiffon propre pour enlever la saleté et l'humidité.
 - d) Si vous utilisez de l'apprêt, appliquez l'apprêt avec l'applicateur à l'intérieur du raccord et à l'extrémité extérieure du bout du tuyau. Appliquez en frottant afin de dissoudre les surfaces. Si l'apprêt est appliqué avec un chiffon, portez des gants imperméables à l'apprêt. Si vous n'utilisez pas d'apprêt, passez à l'étape suivante.

- e) Vérifiez la taille de l'applicateur de la colle.
L'applicateur fourni avec DiversiTech Pro-Weld peut être utilisée sur les diamètres de tuyau allant jusqu'à 2 ". Sur les plus grands tuyaux, utilisez un pinceau ayant une largeur de la moitié du diamètre du tuyau.
- f) Appliquez une couche épaisse de colle à l'extrémité extérieure du tuyau et une légère couche à l'intérieur du raccord, puis une autre couche à l'extérieur du tuyau.
- g) Insérez immédiatement le tuyau dans le raccord avec un léger mouvement de torsion jusqu'à ce qu'il touche le fond dans la prise.
- h) Serrez-les ensemble jusqu'à ce que ce soit bien fixé pour éviter que la prise conique pousse le tuyau du raccord.
- i) Essuyez tout excès de colle du jointage.
- j) Faites attention en manipulant les jointages réalisés récemment et ne les touchez pas lors de leur période de séchage. Les jointages peuvent être testés sous pression après les temps de séchage mentionnés dans la section suivante et dans le tableau 3. Notez que le séchage nécessite plus de temps en cas d'installation dans des températures ambiantes froides.

5) Temps d'application et de séchage

- a) Le temps de manipulation est le temps nécessaire avant de manipuler le jointage.
- b) Le temps de séchage est le temps nécessaire avant de pressuriser le système.
 - i. Les temps de séchage sont valables si l'humidité relative est de 60% ou moins.
- c) En cas de temps humide, ajoutez 50% plus de temps pour le séchage.

Température	Temps de Manipulation/ Temps d'application	Temps de séchage
60°-100° F	5 min	30 min
40°-60° F	10 min	45 min
0°-40° F	15 min	1 heure

Remarque: Temps d'application et de séchage valables pour des dimensions de tuyau de 1 ½" - 3"

Tableau 3. Temps d'application et de séchage des jointages

** Toutes les données sont estimées sur la base de tests en laboratoire. En raison de nombreuses variables sur le tas, ces chiffres ne peuvent être considérés que comme indicateurs généraux.

6) Entretien

- a) Le kit de ventilation horizontal DiversiTech et de la tuyauterie y associée requièrent un contrôle par un technicien qualifié une fois par an.
- b) Pour garantir la visibilité des étiquettes de certification et d'avertissement, et pour faciliter une inspection / entretien adéquat, les kits de ventilation horizontale DiversiTech ainsi que la tuyauterie y associée ne peuvent pas être peints.

*** Ces directives d'installation ont été émises en Juin 2014.

Informations sur le fabricant:

DiversiTech Corporation
2175 East Park Drive NE
Conyers, GA 30013



Intertek
4010793

Certified to ULC Std S636