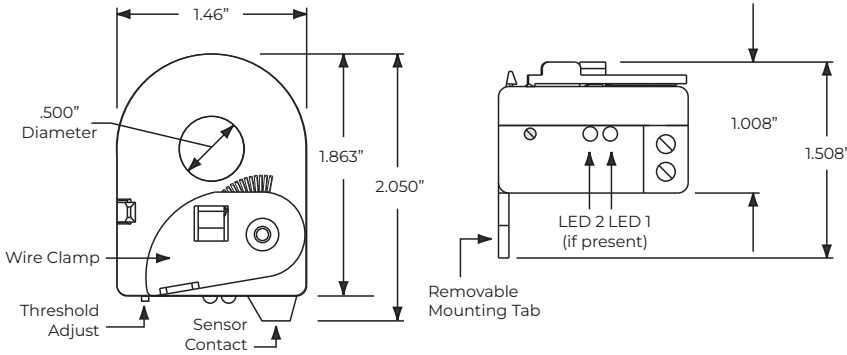


AC CURRENT SWITCHES

RIBXK SERIES

Current Switches, Solid Core, Fixed or Adjustable, Up to 150 Amps Sensing Range, Terminal Strip or Wire Lead Output



SPECIFICATIONS

Operating Temperature	-30 to 140° F
Humidity Range	5 to 95% (noncondensing)
Max Sense Voltage	600 Vac
Switching Voltage Range	30 Vac/dc
Mounting/Installation	Removable mounting tab provided. The wire clamp locks against the wire being monitored, securing the unit in place.
Sensor Contact	Solid State Switch SPST When sensor contact is off (open), leakage: <30 uA @ 30Vac/dc When sensor contact is on (closed), voltage drop: <.3 Vac/dc @ .1 Amp <1.6 Vac/dc @ .4 Amp
Sensor Contact Status	Current below threshold: Open Current above threshold: Closed
Origin	Made of US and non-US parts
Approvals	UL Listed, C-UL, CE, RoHS, UL916 (All models) UL864, California State Fire Marshal (RIBXKTF, RIBXKTA)

SELECTION GUIDE

*Actual Threshold may be lower. For monitoring loads with standby current, Adjustable versions are recommended. #Not Approved by California State Fire Marshal.

Model #	Sensing Range	Threshold	Max Switching Current	Sensor Contact Termination	LED 1	LED 2
RIBXKF#	.25-150 Amp	Fixed, .25 Amp*	.4 Amps Max	Wht/Yel 16" 18 AWG Wire Leads		
RIBXKTF	.25-150 Amp	Fixed, .25 Amp*	.4 Amps Max	Terminal Strip, Accepts #14-22 AWG Wire		
RIBXKA#	.50-150 Amp	Adjustable	.8 Amps Max	Wht/Yel 16" 18 AWG Wire Leads	Over Trip Point	Under Trip Point
RIBXKTA	.50-150 Amp	Adjustable	.8 Amps Max	Terminal Strip, Accepts #14-22 AWG Wire	Over Trip Point	Under Trip Point
RIBXKNUTA	.20-150 Amp	Adjustable	1 Amp Max	Terminal Strip, Accepts #14-22 AWG Wire	Over Trip Point	Under Trip Point