

# RHEEM® RUUD® ECONET® COMPATIBLE DAMPERS

iO HVAC Controls offers a wide selection of in-stock round, rectangular and retrofit dampers that are compatible with the Rheem® and Ruud® EcoNet® zone control systems. We offer standard and custom sizes, competitive pricing and same-day shipping.



### Features and Benefits:

- Compatible with Rheem® and Ruud® EcoNet® zone systems
- 3-wire, Two-position, power close/power open actuator
- Large selection available in stock — ship the same day
- Round, rectangular and retrofit models offer installation flexibility
- Rectangular offers side-mount or bottom-mount motor
- Simple adjustment mechanism for setting the minimum and maximum position

### Warranty:

- 10 Years

EQUIPPED WITH  
**BELIMO®**  
 ACTUATORS

*Ask us about retrofit options*

### Specifications:

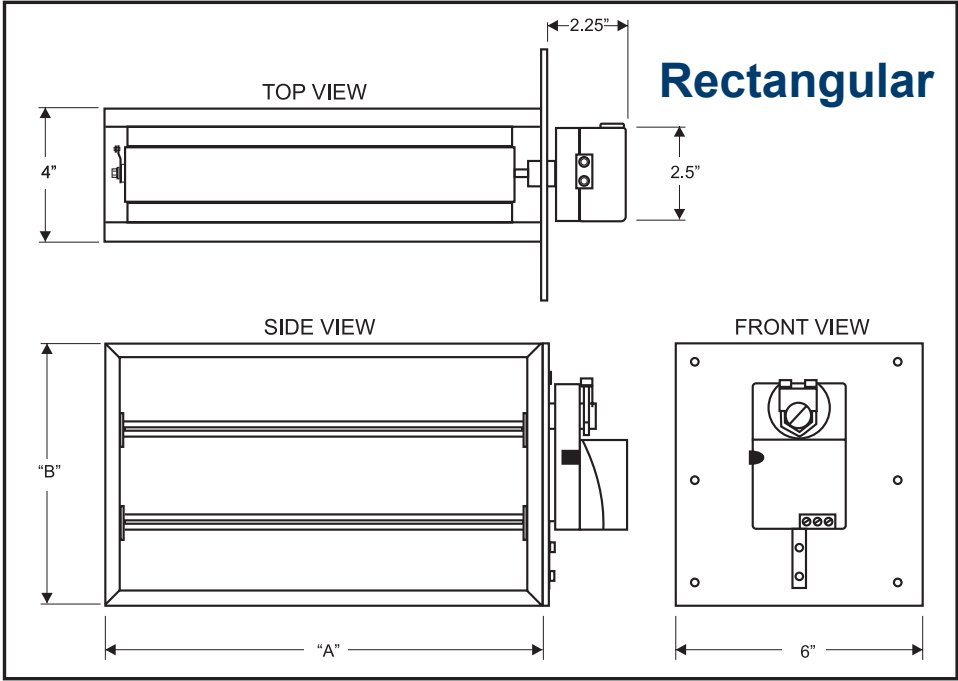
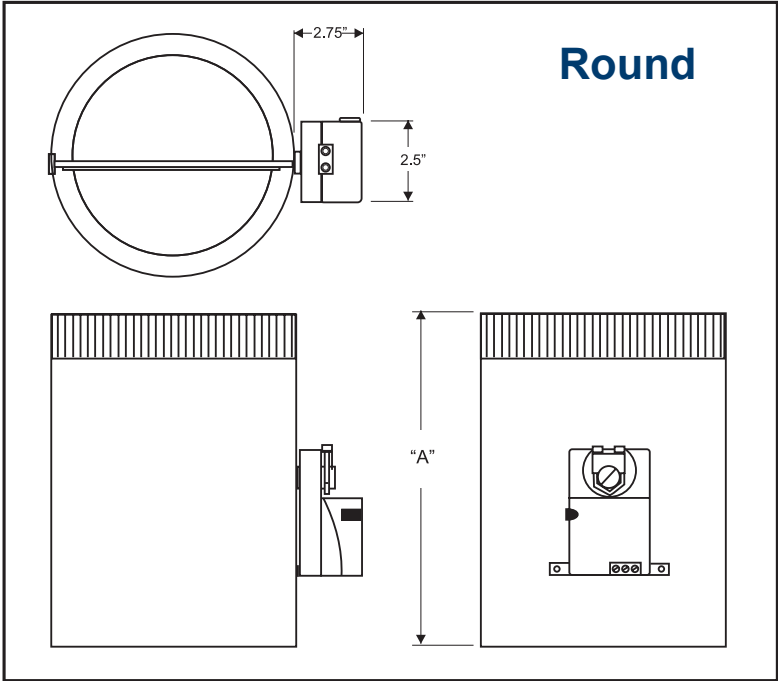
<b>Construction</b>	Round: 24-gauge steel shell; Rectangular: extruded aluminum
<b>Sizes</b>	Round: 4" to 20"; Rectangular: 6" x 6" to 36" x 24" side-mount or bottom-mount motor; Retrofit: 5" to 10"
<b>Damper Actuator Type</b>	24VAC, 2.5VA, 3-wire power open/power close
<b>Timing</b>	35 seconds



5351 East Thompson Road Suite 142  
 Indianapolis, IN 46237  
 P: 888.359.0362  
 F: 317.489.5204

info@iOhvaccontrols.com  
 www.iOhvaccontrols.com

# DAMPER DIAGRAM



5351 East Thompson Road Suite 142  
Indianapolis, IN 46237  
P: 888.359.0362  
F: 317.489.5204

info@iOhvaccontrols.com  
www.iOhvaccontrols.com