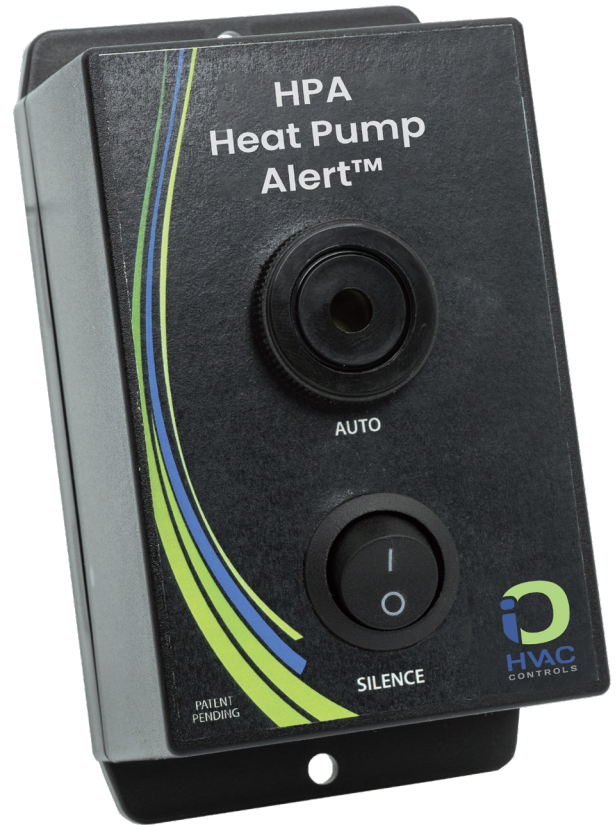


NO MORE "THROUGH-THE-ROOF" ELECTRIC BILLS!

The Heat Pump Alert (iO-HPA) notifies the homeowner or building owner if the heat pump has failed. When a heat pump failure occurs in the winter, the owner most likely will not be aware of the issue. In many cases, the first indication that there is a problem is when the owner receives a large electric bill. This happens because they have been heating with backup electric heat instead of the heat pump.



Specifications:

Input Voltage	20-30 VAC 50/60 Hz
Operating Temperature	32° F to 150° F
Operating Relative Humidity	0-95% (non-condensing)
Buzzer Rating	95 dB
Warranty	1 Year



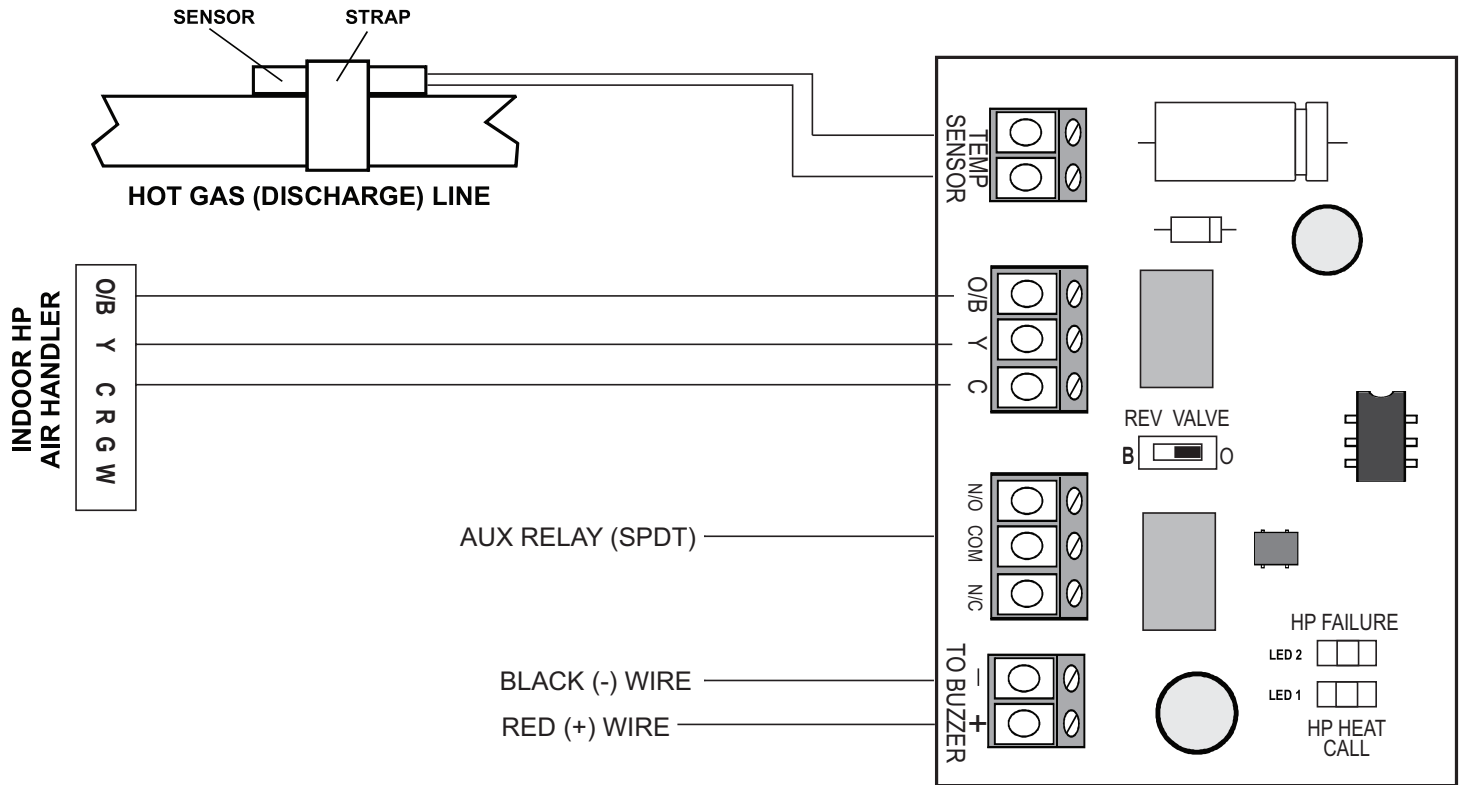
5351 East Thompson Road Suite 142
Indianapolis, IN 46237
P: 888.359.0362
F:317.489.5204

info@iOhvaccontrols.com
www.iOhvaccontrols.com

INTRODUCTION

The iO-HPA Heat Pump Alert is designed to provide an audible warning when a heat pump that uses electric auxiliary heat fails and the system is only operating on the auxiliary heat source. This easy-to-install device can save excessive energy costs and provide early warning that the heat pump requires immediate service. In addition, the iO-HPA has an auxiliary dry-contact SPDT relay output to connect to a variety of auxiliary alarm systems.

TYPICAL WIRING DIAGRAM



HOW IT WORKS

The iO-HPA is designed to detect heat pump system failure by monitoring the hot gas (discharge) refrigerant line coming into the indoor unit when the system is in the heating mode. If the thermostat is calling for heat and the hot gas (discharge) line temperature remains below 100° F for more than 19 minutes, a buzzer will sound warning that the compressor is not producing heat and that the system is utilizing the auxiliary electric heat to maintain the space temperature. There is a switch on the iO-HPA to silence the buzzer but service by your local HVAC dealer should not be delayed.

Warning:

Improper wiring of the iO-HPA to the heat pump can cause electrical shock and equipment damage. Disconnect electrical power to the heat pump before installation. Installation of this product must be in compliance with all local codes and is not a substitute for annual service



5351 East Thompson Road Suite 142
 Indianapolis, IN 46237
 P: 888.359.0362
 F: 317.489.5204

info@iOhvaccontrols.com
 www.iOhvaccontrols.com