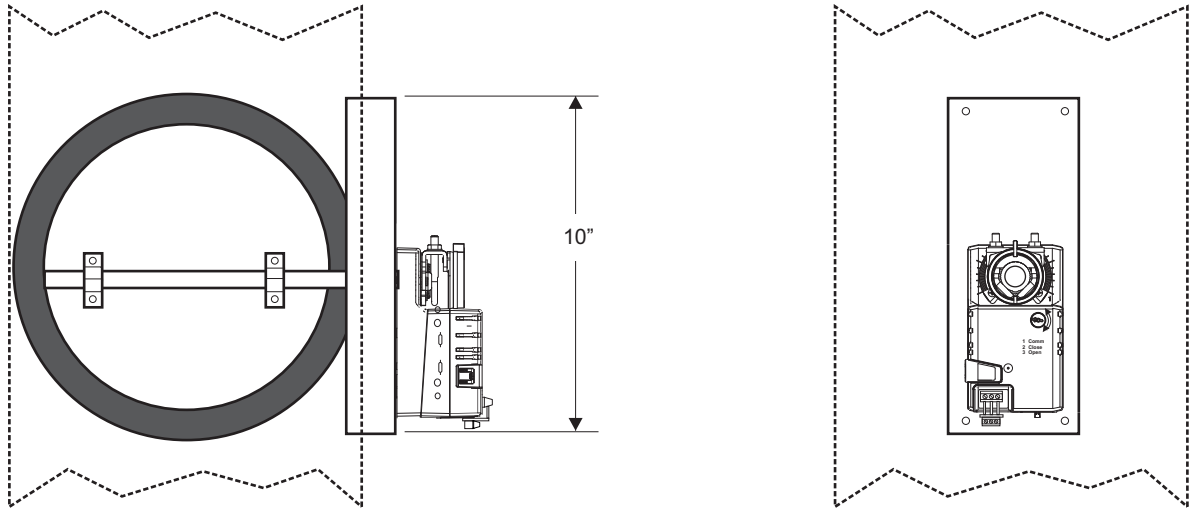


SPECIFICATION SHEET

RRD-XX 3-WIRE RETRO DAMPER™

Motorized Zone Control Dampers

Compatible with Rheem®, Ruud® and EcoNet® Zone Control Systems



SPECIFICATIONS

DIMENSIONS:

Damper models RRD-XX are available in standard sizes of 5", 6", 7", 8", 9" and 10"

APPLICATION:

Compatible for Rheem®, Ruud®, and EcoNet® zone control systems.

CONSTRUCTION:

- 18 gauge steel blade
- 5/8" solid aluminum shaft
- Air tight blade seals
- Minimum position adjustment

ELECTRICAL:

- 24 Volt, 2.5 VA
- 3-wire
- 18 lb.-in.torque
- 35 second timing

Drawings are intended to show general, overall product dimensions and provide guidance for installation clearance. Drawings are not to scale. iO HVAC Controls reserves the right to make product changes without notification or obligation.