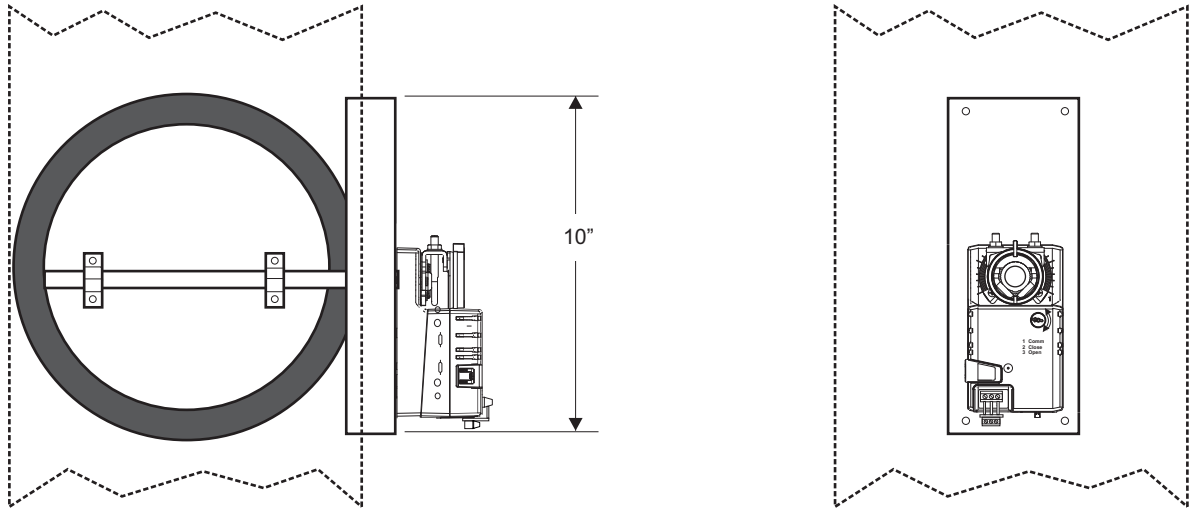


# SPECIFICATION SHEET

## TRD-XX 3-WIRE RETRO DAMPER™

### Motorized Zone Control Dampers

For Trane® ComfortLink™ and American Standard® AccuLink™ zone control systems



## SPECIFICATIONS

### DIMENSIONS:

Damper models TRD-XX are available in standard sizes of 5", 6", 7", 8", 9" and 10"

### APPLICATION:

Compatible with Trane® ComfortLink™ and American Standard® AccuLink™ zone control systems.

### CONSTRUCTION:

- 18 gauge steel blade
- 5/8" solid aluminum shaft
- Air tight blade seals
- Minimum position adjustment

### ELECTRICAL:

- 24 Volt, 2.5 VA
- LED position indication
- 3-wire
- 18 lb.-in.torque
- 60 second timing

Drawings are intended to show general, overall product dimensions and provide guidance for installation clearance. Drawings are not to scale. iO HVAC Controls reserves the right to make product changes without notification or obligation.



Indianapolis, IN 46237

[www.iohvaccontrols.com](http://www.iohvaccontrols.com)  
For Technical Support Call Toll Free: 866-225-5032

IO-08-1402-111025